

Product information presented here reflects conditions at time of publication. Consult factory regarding discrepancies or inconsistencies.



TECHNICAL DATA SHEET SEWAGE WASTE SERIES

Models 611, 621, 631, 641, 651, 661 Submersible Sewage Pumps

PRODUCT SPECIFICATIONS

MOTOR	Horse Power	1 (611), 1-1/2 (621), 2 (631), 3 (641), 5 (651), 7-1/2 (661)
	Voltage	230, 200 - 575
	Phase	1, 3 Ph
	Hertz	60 Hz
	RPM	1750
	Type	Capacitor start capacitor run or 3 Ph
	Insulation	Class F
	Amps	1.7 - 28.0
PUMP	Operation	Nonautomatic
	Discharge Size	3" NPT (optional 3" or 4" flange available)
	Solids Handling	2-1/2" (63 mm) spherical solids
	Cord Length	25' (8 m) standard
	Cord Type	UL listed 3-wire cord
	Max. Head	65' (19.8 m)
	Max. Flow Rate	590 GPM (2,233 LPM)
	Max. Operating Temp.	104 °F (40 °C)
	Cooling	Oil filled
	Motor Protection	Thermal sensors with automatic reset

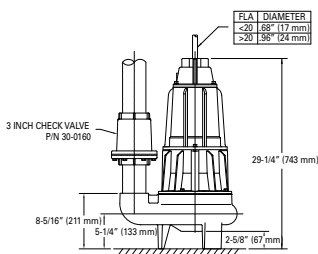
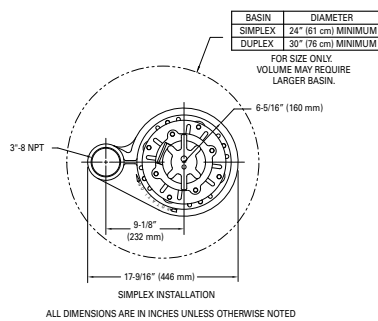
MATERIALS	Upper Bearing	Ball bearing
	Lower Bearing	Ball bearing
	Mechanical Seals	Tandem carbon and ceramic
	Impeller Type	Semi-open
	Impeller	Ductile iron
	Hardware	Stainless steel
	Motor Shaft	Stainless steel
	Gasket	Buna-N square ring seals

All Class 30 cast iron construction.

NOTE: See model comparison chart for specific details.

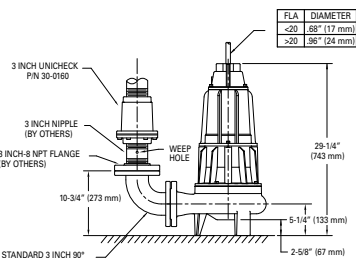
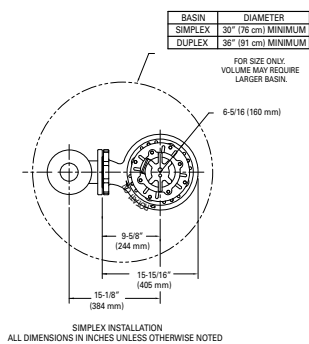


3" NPT DISCHARGE



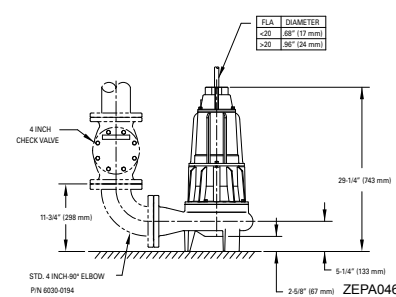
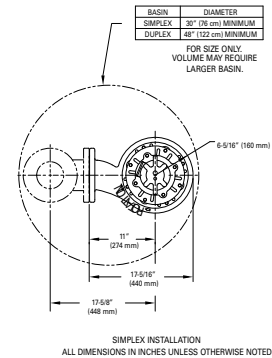
ZEPA0467

3" FLANGED DISCHARGE



ZEPA0470

4" FLANGED DISCHARGE

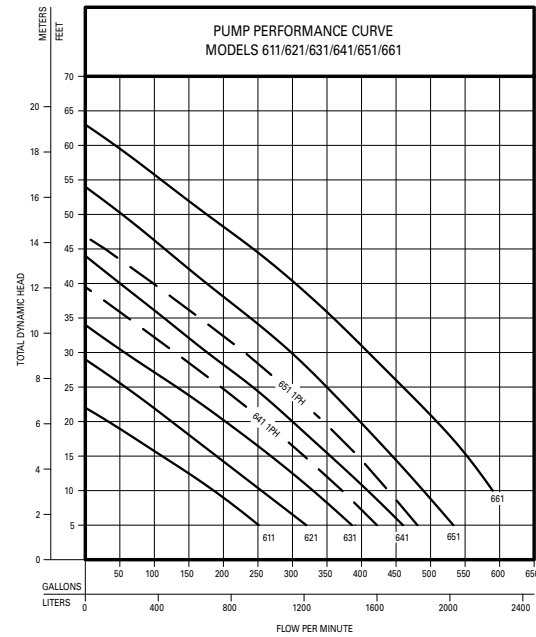


ZEPA0468

TOTAL DYNAMIC HEAD FLOW PER MINUTE

MODEL		611		621		631		641 (1PH)	
Feet	Meters	Gal.	Liters	Gal.	Liters	Gal.	Liters	Gal.	Liters
5	1.5	250	946	320	1211	390	1476	420	1590
10	3.0	185	700	255	965	335	1268	370	1401
15	4.6	110	416	190	719	272	1030	319	1208
20	6.1	35	132	125	473	200	757	260	984
25	7.6	--	--	60	227	130	492	198	750
30	9.1	--	--	--	--	55	208	130	492
35	10.7	--	--	--	--	--	--	62	235
40	12.2	--	--	--	--	--	--	--	--
45	13.7	--	--	--	--	--	--	--	--
50	15.2	--	--	--	--	--	--	--	--
55	16.7	--	--	--	--	--	--	--	--
60	18.2	--	--	--	--	--	--	--	--
Shut-off Head:		22 ft.(6.7m)		29 ft.(8.8m)		34 ft.(10.4m)		39.5 ft.(12.0m)	

MODEL		641		651 (1PH)		651		661	
Feet	Meters	Gal.	Liters	Gal.	Liters	Gal.	Liters	Gal.	Liters
5	1.5	460	1741	475	1798	533	2018	--	--
10	3.0	410	1552	440	1666	490	1855	590	2233
15	4.6	355	1343	395	1495	445	1685	555	2101
20	6.1	300	1136	345	1306	398	1507	510	1931
25	7.6	245	927	290	1098	350	1325	460	1741
30	9.1	175	662	232	878	300	1136	410	1552
35	10.7	115	435	165	625	240	908	360	1363
40	12.2	50	189	95	360	175	662	305	1155
45	13.7	--	--	25	95	115	435	245	927
50	15.2	--	--	--	--	55	208	175	662
55	16.7	--	--	--	--	--	--	110	416
60	18.2	--	--	--	--	--	--	45	170
Shut-off Head:		44 ft.(13.4m)		46.5 ft.(14.2m)		54 ft.(16.5m)		63 ft.(19.2m)	



013859

Model	MODEL COMPARISON								
	Seal	Mode	Volts	Ph	Amps	HP	Hz	Lbs	Kg
*E611	Double	Non	230	1	6.9	1	60	245	111
J611	Double	Non	200	3	4.8	1	60	245	111
F611	Double	Non	230	3	4.2	1	60	245	111
G611	Double	Non	460	3	2.1	1	60	245	111
BA611	Double	Non	575	3	1.7	1	60	245	111
*E621	Double	Non	230	1	8.9	1-1/2	60	245	111
J621	Double	Non	200	3	5.9	1-1/2	60	245	111
F621	Double	Non	230	3	5.1	1-1/2	60	245	111
G621	Double	Non	460	3	2.6	1-1/2	60	245	111
BA621	Double	Non	575	3	2.0	1-1/2	60	245	111
*E631	Double	Non	230	1	14.5	2	60	245	111
J631	Double	Non	200	3	7.8	2	60	245	111
F631	Double	Non	230	3	6.8	2	60	245	111
G631	Double	Non	460	3	3.4	2	60	245	111
BA631	Double	Non	575	3	2.7	2	60	245	111
*E641	Double	Non	230	1	17.0	3	60	245	111
J641	Double	Non	200	3	11.0	3	60	245	111
F641	Double	Non	230	3	9.6	3	60	245	111
G641	Double	Non	460	3	4.8	3	60	245	111
BA641	Double	Non	575	3	3.9	3	60	245	111
*E651	Double	Non	230	1	28.0	5	60	245	111
J651	Double	Non	200	3	17.5	5	60	245	111
F651	Double	Non	230	3	15.2	5	60	245	111
G651	Double	Non	460	3	7.6	5	60	245	111
BA651	Double	Non	575	3	6.1	5	60	245	111
J661	Double	Non	200	3	25.3	7-1/2	60	245	111
F661	Double	Non	230	3	22.0	7-1/2	60	245	111
G661	Double	Non	460	3	11.0	7-1/2	60	245	111
BA661	Double	Non	575	3	9.0	7-1/2	60	245	111

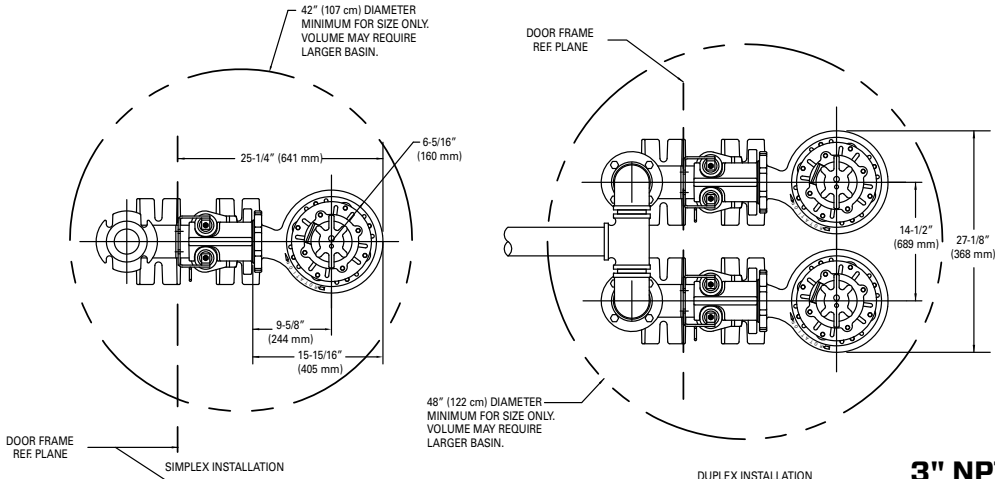
* All single phase units require external starting capacitor and relay circuits. Additional cord lengths are available in 35' (11 m) and 50' (15 m).



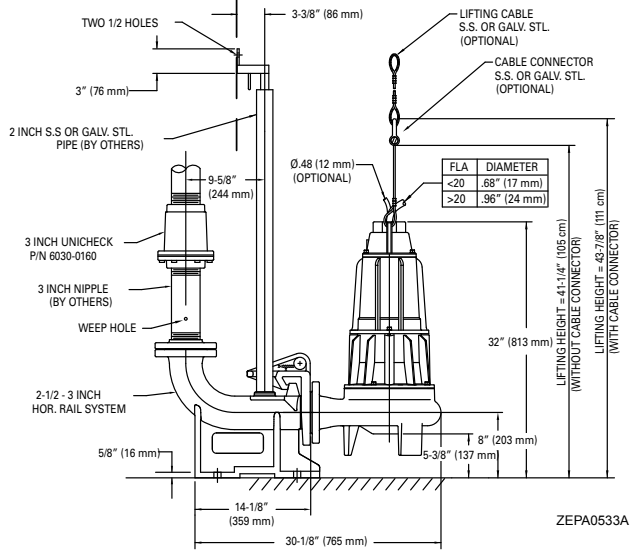
All installation of controls, protection devices and wiring should be done by a qualified licensed electrician. All electrical and safety codes should be followed including the most recent National Electrical Code (NEC) and the Occupational Safety and Health Act (OSHA).

RAIL SYSTEM DIMENSIONAL DATA

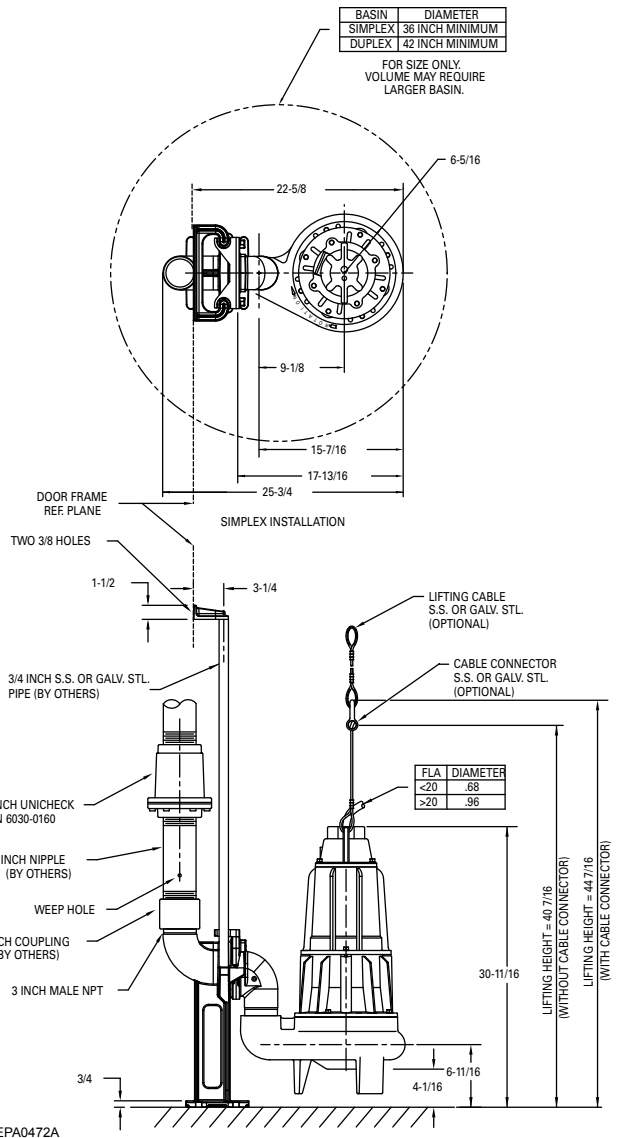
3" FLANGED HORIZONTAL DISCHARGE P/N 39-0094 RAIL SYSTEM



3" NPT VERTICAL DISCHARGE P/N 39-0122 & 39-0123 RAIL SYSTEMS



DIMENSIONS BASED ON STD. ANSI FITTING SIZES
CHECK VALVES REQUIRED, NOT SHOWN FOR CLARITY
ALL DIMENSIONS IN INCHES UNLESS OTHERWISE NOTED

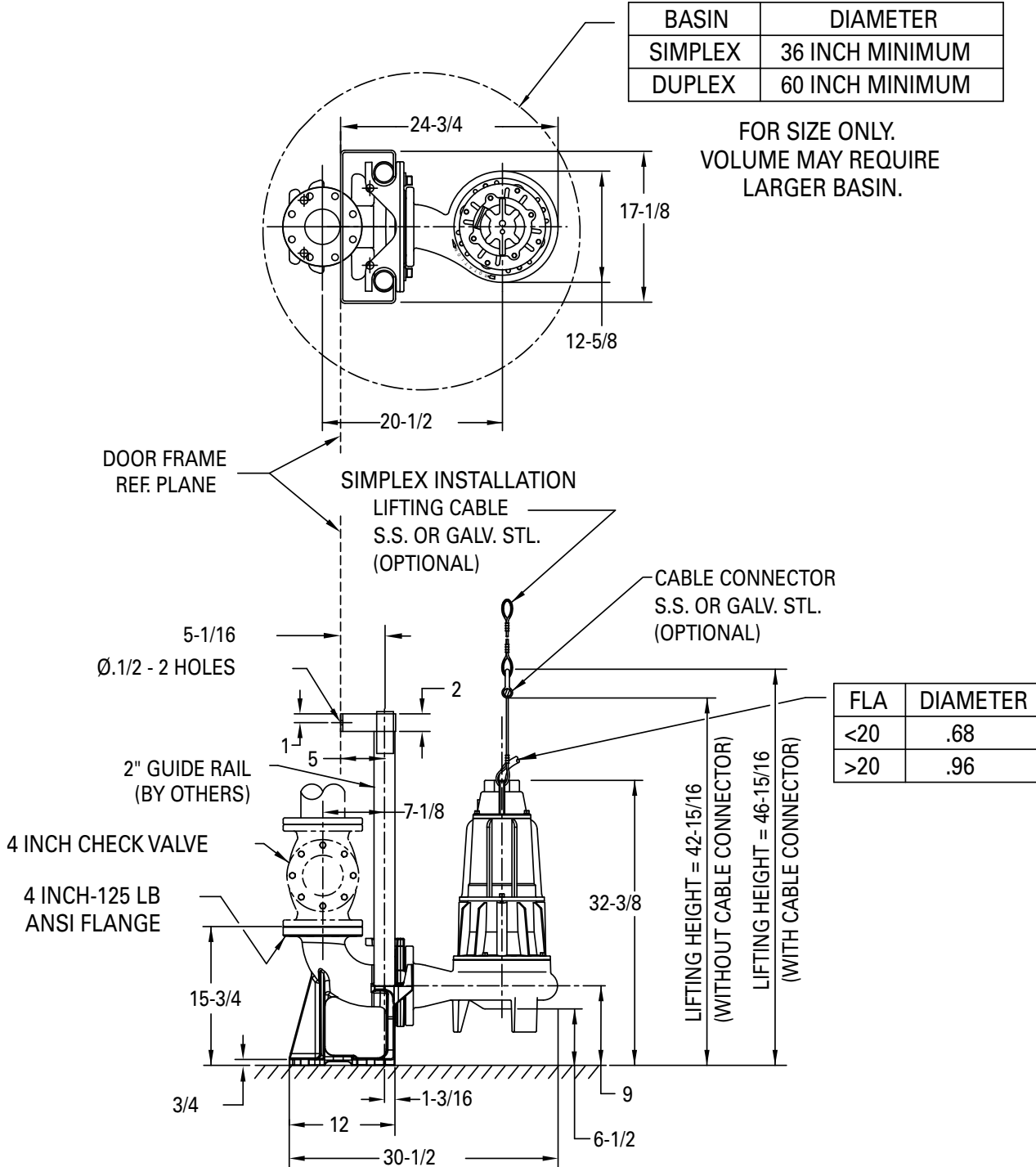


RAIL SYSTEM DIMENSIONAL DATA, continued

4" FLANGED HORIZONTAL DISCHARGE P/N 39-0154 RAIL SYSTEM

BASIN	DIAMETER
SIMPLEX	36 INCH MINIMUM
DUPLEX	60 INCH MINIMUM

FOR SIZE ONLY.
VOLUME MAY REQUIRE
LARGER BASIN.



FLA	DIAMETER
<20	.68
>20	.96

ZEPA0469A