

Product information presented here reflects conditions at time of publication. Consult factory regarding discrepancies or inconsistencies.



50/60 Hz

MAIL TO: P.O. BOX 16347 • Louisville, KY 40256-0347 USA
SHIP TO: 3649 Cane Run Road • Louisville, KY 40211-1961 USA
 +1 (502) 778-2731 • 1-800-928-7867 • FAX +1 (502) 774-3624

visit our web site:
zoellerpumps.com

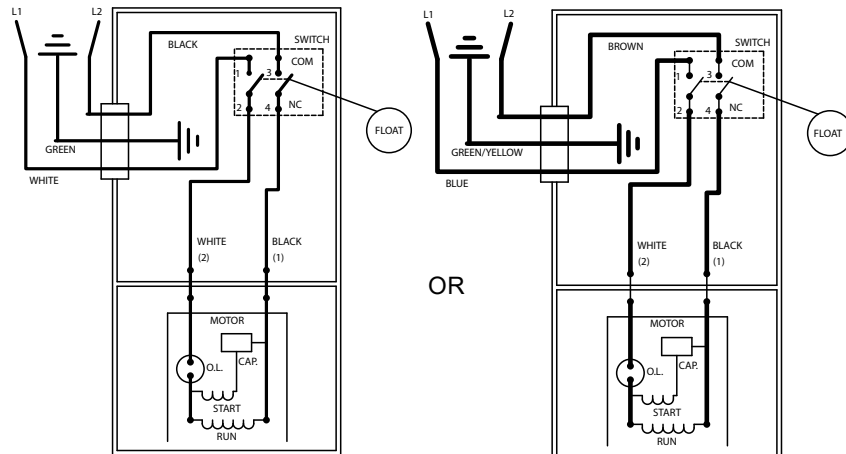
REPLACEMENT PARTS LIST FOR MODELS:

U98 AUTOMATIC 220V / 50 Hz
 V98 NONAUTOMATIC 220V / 50 Hz
 BK98 AUTOMATIC 220V / 60 Hz
 BL98 NONAUTOMATIC 220V / 60 Hz

TO ORDER REPLACEMENT PARTS:

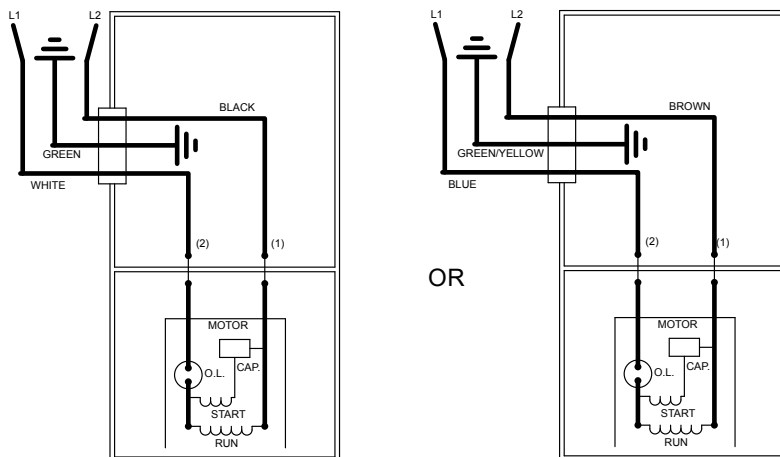
PLEASE FURNISH THE FOLLOWING INFORMATION:

- Model Number
- Part Number of Pump
- Part Number and Description of Part



WIRING DIAGRAM FOR MODELS
 "U98-A", "U98-B", "U98-C", "U98-D"
 11/90 thru Current

009060



WIRING DIAGRAM FOR MODELS
 "V98-A", "V98-B", "V98-C", "V98-D"
 11/90 thru Current

009059

REPLACEMENT PARTS LIST FOR MODELS "U98-A, U98-B, U98-C & U98-D"

See back page for "U98" illustration.

REF. NO.	DESCRIPTION	QTY	NOTES	MODELS: U98-A U98-B U98-C U98-D			
				11/90 thru 11/95	12/95 thru 08/09	09/09 thru 04/20	05/20 thru Current
1	• GASKET,CASE/COVER	1		034046	034046	034046	034046
2	• CLAMP,STRAIN RELIEF-RED	1		004200	004200	N/A	N/A
3	• SEAL,CORD-ASM	1		151324	151324	151324	151324
4	CORD TERM & SEAL 2.4 M (8')	1	3	151322	151322	151322	151322
	CORD TERM & SEAL 10 M (33')			151323	151323	151323	151323
5	STATOR W/SCREWS - ZMW	1		N/A	010272	010272	010272
6	ROTOR ASM 115/230V/1PH - ZMW	1		N/A	010270	010270	010270
7	• SEAL,MTR HSG	1		034007	034007	034007	034007
8	• WASHER,TRST-NYL.875X.504X.050"	1		002140	002140	002140	002140
9	• OIL,DIELECTRIC (30.5 OZ CAN)	1		007051	007051	007051	007051
10	HOUSING,PUMP-MACH "98"	1		006107	006107	150149	150149
11	• SEAL ASM,SHAFT-BLISTER PAK	1		267027	267027	267027	267027
12	IMPELLER "98"	1		002570	002570	002570	002570
13	BASE - CAST IRON	1		006333	006333	006333	006333
	BASE - PLASTIC		N/A	N/A	N/A	156173	
14	CASE HANDLE & ARM "98"	1		004725	004725	004725	004725
15	• PLUG,TEST-WHITE	2		034090	034090	034090	034090
16	• ARM & SEAL ASM	1		004704	004704	004704	004704
17	CASE & SWITCH "98"	1		004702	004702	004702	004702
18	• SEAL,THRU WALL TERM	2		003402	003402	003402	003402
19	GUARD "55/59/98"	1		004645	004645	004645	004645
20	HOUSING,MTR	1		004712	004712	004712	004712
21	CAPACITOR	1		007642	007642	007642	007642
22	SWITCH ASM	1		004705	004705	004705	004705
23	FLOAT-POLYPROPYLENE	1		034019	034019	034019	034019
24	ROD,FLOAT-MOLDED "98"	1		006215	006215	006215	006215
25	GUIDE ASM,FLT ROD	1		034086	034086	034086	034086
26	• SEM,10-24X.375HH-SL TC.688WASH	1		002000	002000	002000	N/A
27	• SCREW,SEM 10-12X.5HH-SLSHMT SC R TP A	1		N/A	N/A	N/A	003229
28	• SCREW,#10-24 X.75 RHM-SL SS	16		001885	001885	001885	001885
29	• SCREW,#6-32X.25RHM SL TC STLGR	1		001877	001877	001877	001877
30	• SCREW, STATOR	2		001914	001914	150099	150099
31	SCREW,#6-32X.438RHSLTP"1"STLZI	2		004644	004644	004644	004644
□	REBUILD KIT "98"	1		151326	151326	151326	151326

• Items included in Rebuild Kit.

□ Not Shown in Illustration.

NOTES:

- 1) See FM0160 Parts Price Sheet for listing of part prices.
- 2) "N/A indicates, not applicable.
- 3) If an "X" follows Model No. or Date Mfg. on ID tag, consult factory for ordering of this part.

REPLACEMENT PARTS LIST FOR MODELS "V98A", "V98B", "V98C & V98-D"

See back page for "V98" illustration.

REF. NO.	DESCRIPTION	QTY	NOTES	MODELS: V98-A			
				V98-B	V98-C	V98-D	
				11/90 thru 11/95	12/95 thru 08/09	09/09 thru 04/20	05/20 thru Current
1	• GASKET,CASE/COVER	1		034046	034046	034046	034046
2	• CLAMP,STRAIN RELIEF-RED	1		004200	004200	N/A	N/A
3	• SEAL,CORD-ASM	1		151324	151324	151324	151324
4	CORD TERM & SEAL 2.4 M (8')	1	3	151452	151452	151452	151452
	CORD TERM & SEAL 10 M (33')			151453	151453	151453	151453
5	STATOR W/SCREWS - ZMW	1		N/A	010272	010272	010272
6	ROTOR ASM 115/230V/1PH - ZMW	1		N/A	010270	010270	010270
7	• SEAL,MTR HSG	1		034007	034007	034007	034007
8	• WASHER,TRST-NYL.875X.504X.050"	1		002140	002140	002140	002140
9	• OIL,DIELECTRIC (30.5 OZ CAN)	1		007051	007051	007051	007051
10	HOUSING,PUMP-MACH "98"	1		006107	006107	150149	150149
11	• SEAL ASM,SHAFT-BLISTER PAK	1		267027	267027	267027	267027
12	IMPELLER "98"	1		002570	002570	002570	002570
13	BASE - CAST IRON	1		006333	006333	006333	N/A
	BASE - PLASTIC			N/A	N/A	N/A	156173
14	COVER HANDLE "98"	1		002580	002580	002580	002580
15	• PLUG,TEST-WHITE	2		034090	034090	034090	034090
16	• SEAL,THRU WALL TERM	2		003402	003402	003402	003402
17	HOUSING,MTR	1		004712	004712	004712	004712
18	CAPACITOR	1		007642	007642	007642	007642
19	• SEM,10-24X.375HH-SL TC.688WASH	1		002000	002000	002000	N/A
20	• SCREW,#10-24 X.75 RHM-SL SS	16		001885	001885	001885	001885
21	• SCREW,#6-32X.25RHM SL TC STLGR	1		001877	001877	001877	001877
22	• SCREW, STATOR	2		001914	001914	150099	150099
□	REBUILD KIT "98"	1		006949	006949	006949	006949

- Items included in Rebuild Kit.
- Not Shown in Illustration.

NOTES:

- 1) See FM0160 Parts Price Sheet for listing of part prices.
- 2) "N/A indicates, not applicable.
- 3) If an "X" follows Model No. or Date Mfg. on ID tag, consult factory for ordering of this part.

REPLACEMENT PARTS LIST FOR MODELS "BK98-A & BK98-B"

See back page for "BK98" illustration.

MODELS: BK98-A BK98-B					
REF. NO.	DESCRIPTION	QTY	NOTES	06/12 thru 04/20	05/20 thru Current
1	• GASKET,CASE/COVER	1		034046	034046
2	• CLAMP,STRAIN RELIEF-RED	1		001770	001770
3	• SEAL,CORD-ASM	1		151535	151535
4	CORD TERM & SEAL (15' LENGTH)	1	3	007693	007693
5	STATOR W/SCREWS - ZMW	1		010272	010272
6	ROTOR ASM 115/230V/1PH - ZMW	1		010270	010270
7	• SEAL,MTR HSG	1		034007	034007
8	• WASHER,TRST-NYL.875X.504X.050"	1		002140	002140
9	• OIL,DIELECTRIC (30.5 OZ CAN)	1		007051	007051
10	HOUSING,PUMP-MACH "98"	1		150149	150149
11	• SEAL ASM,SHAFT-BLISTER PAK	1		267027	267027
12	IMPELLER "98"	1		002570	002570
13	BASE - CAST IRON	1		006333	N/A
	BASE - PLASTIC			N/A	156173
14	CASE HANDLE & ARM "98"	1		004725	004725
15	• PLUG,TEST-WHITE	2		034090	034090
16	• ARM & SEAL ASM	1		004704	004704
17	CASE & SWITCH "98"	1		004702	004702
18	• SEAL,THRU WALL TERM	2		003402	003402
19	GUARD "55/59/98"	1		004645	004645
20	HOUSING,MTR	1		004712	004712
21	CAPACITOR	1		007642	007642
22	SWITCH ASM	1		004705	004705
23	FLOAT-POLYPROPYLENE	1		034019	034019
24	ROD,FLOAT-MOLDED "98"	1		006215	006215
25	GUIDE ASM,FLT ROD	1		034086	034086
26	• SEM,10-24X.375HH-SL TC.688WASH	1		002000	N/A
27	• SCREW,SEM 10-12X.5HH-SLSHMT SC R TP A	1		N/A	003229
28	• SCREW,#10-24 X.75 RHM-SL SS	16		001885	001885
29	• SCREW,#6-32X.25RHM SL TC STLGR	1		001877	001877
30	• SCREW, STATOR	2		150099	150099
31	• SCREW,#6-32X.438RHSLTP"1"STLZI	2		004644	004644
□	REBUILD KIT "98"	1		151326	151326

- Items included in Rebuild Kit.
- Not Shown in Illustration.

NOTES:

- 1) See FM0160 Parts Price Sheet for listing of part prices.
- 2) "N/A indicates, not applicable.
- 3) If an "X" follows Model No. or Date Mfg. on ID tag, consult factory for ordering of this part.

REPLACEMENT PARTS LIST FOR MODELS "BL98-A & BL98-B"

See back page for "BL98" illustration.

REF. NO.	DESCRIPTION	QTY	NOTES	MODELS: BL98-A		BL98-B
				06/12 thru 04/20	05/20 thru Current	
1	• GASKET,CASE/COVER	1		034046	034046	
2	• CLAMP,STRAIN RELIEF-RED	1		001770	N/A	
3	• SEAL,CORD-ASM	1		151535	151535	
4	CORD TERM & SEAL (15' LENGTH)	1	3	151539	151539	
5	STATOR W/SCREWS - ZMW	1		010272	010272	
6	ROTOR ASM 115/230V/1PH - ZMW	1		010270	010270	
7	• SEAL,MTR HSG	1		034007	034007	
8	• WASHER,TRST-NYL.875X.504X.050"	1		002140	002140	
9	• OIL,DIELECTRIC (30.5 OZ CAN)	1		007051	007051	
10	HOUSING,PUMP-MACH "98"	1		150149	150149	
11	• SEAL ASM,SHAFT-BLISTER PAK	1		267027	267027	
12	IMPELLER "98"	1		002570	002570	
13	BASE - CAST IRON	1		006333	N/A	
	BASE - PLASTIC			N/A	156173	
14	COVER HANDLE "98"	1		002580	002580	
15	• PLUG,TEST-WHITE	2		034090	034090	
16	• SEAL,THRU WALL TERM	2		003402	003402	
17	HOUSING,MTR	1		004712	004712	
18	CAPACITOR	1		007642	007642	
19	• SEM,10-24X.375HH-SL TC.688WASH	1		002000	N/A	
20	• SCREW,#10-24 X.75 RHM-SL SS	16		001885	001885	
21	• SCREW,#6-32X.25RHM SL TC STLGR	1		001877	001877	
22	• SCREW, STATOR	2		150099	150099	
α	REBUILD KIT "98"	1		151326	151326	

- Items included in Rebuild Kit.
- α Not Shown in Illustration.

NOTES:

- 1) See FM0160 Parts Price Sheet for listing of part prices.
- 2) "N/A indicates, not applicable.
- 3) If an "X" follows Model No. or Date Mfg. on ID tag, consult factory for ordering of this part.

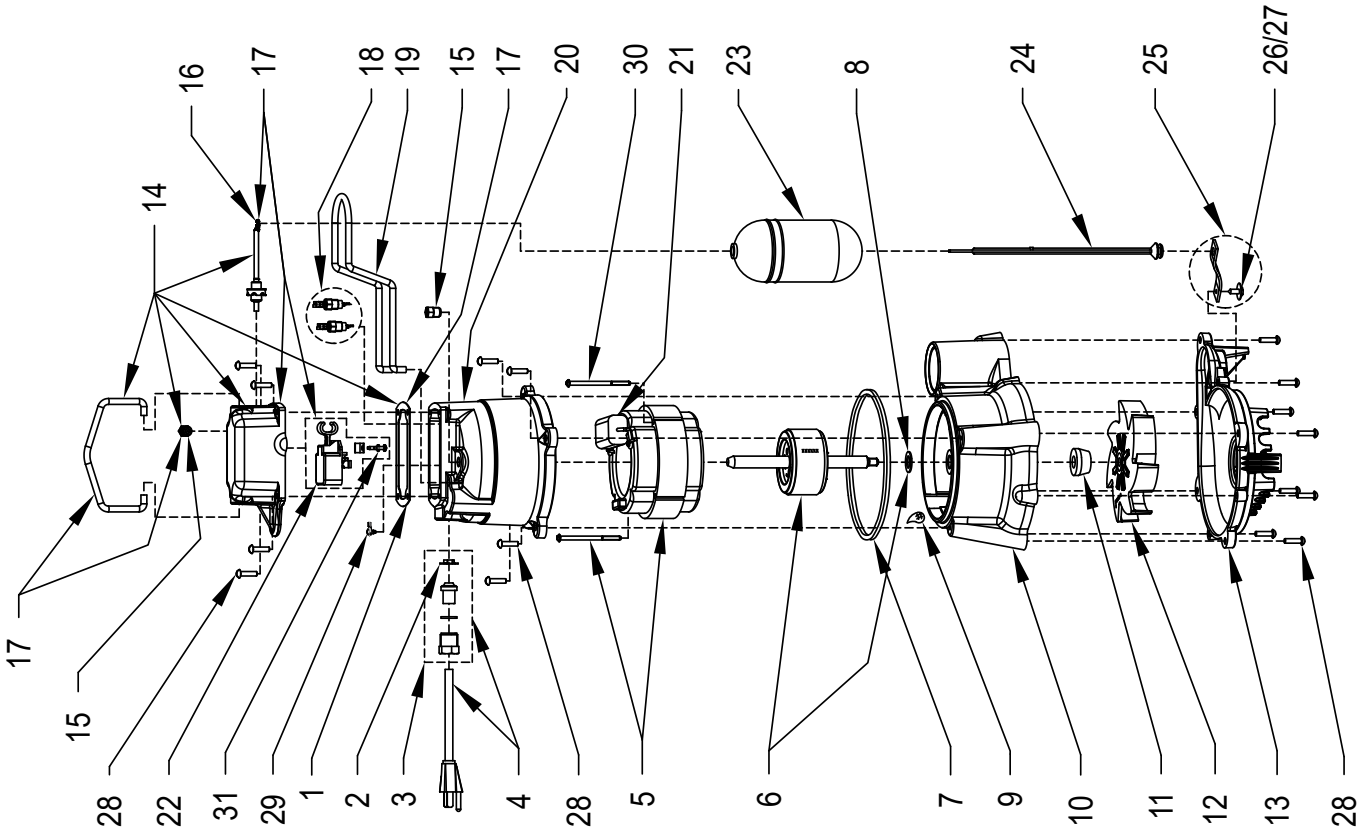


MAIL TO: P.O. BOX 16347 • Louisville, KY 40256-0347 USA
 SHIP TO: 3649 Cane Run Road • Louisville, KY 40211-1961 USA
 +1 (502) 778-2731 • 1-800-928-7867 • FAX +1 (502) 774-3624

visit our web site:
zoellerpumps.com

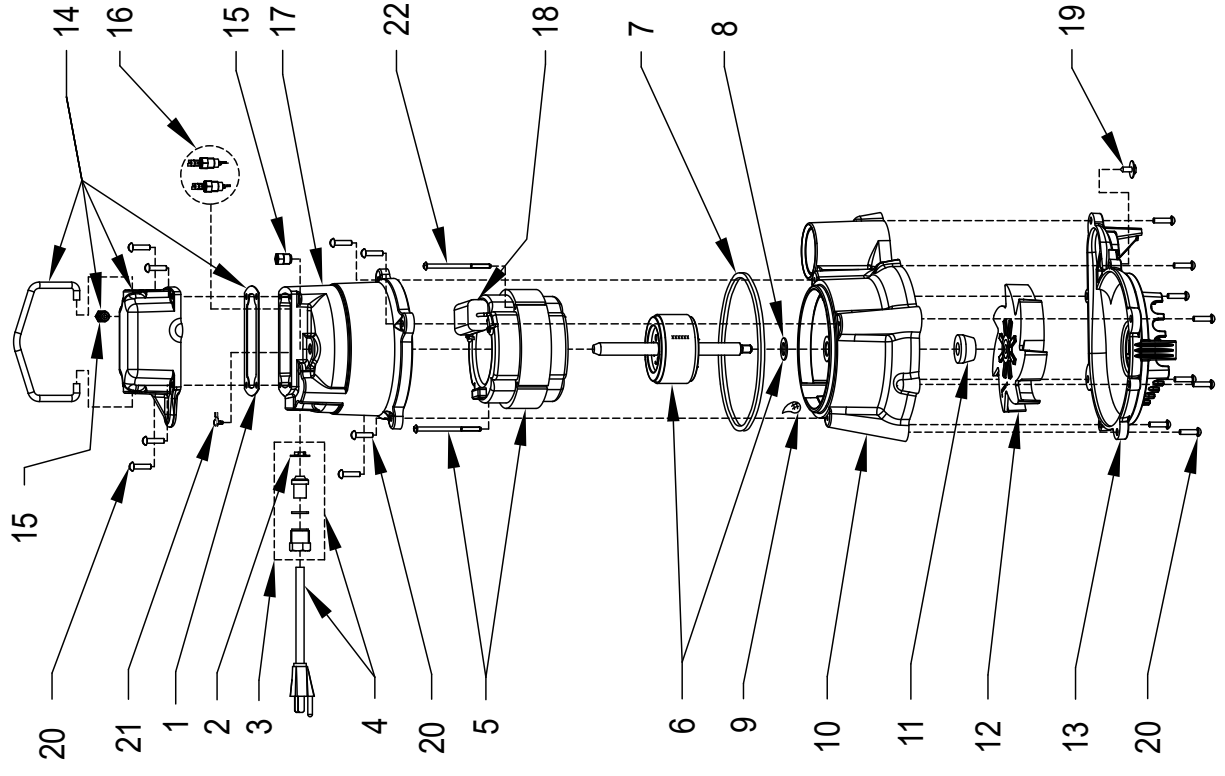
Trusted. Tested. Tough.®

REPLACEMENT PARTS ILLUSTRATION FOR MODELS "U98" and "BK98"



SK1112

REPLACEMENT PARTS ILLUSTRATION FOR MODELS "V98" and "BL98"



SK1113