



H-x683W Series

Forged DZR Brass Dual Vent Transition Elbow
w/ 3/4" Copper Finned Tube Stiffener
& 1/8" NPT Plug
For use with Baseboard Radiators

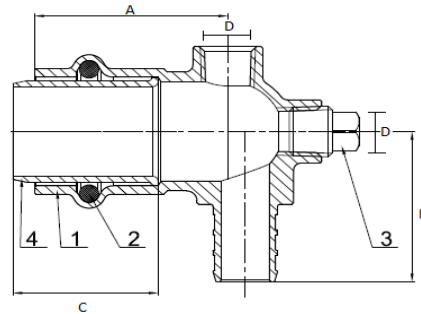
Certifications

Certified to NSF/ANSI 61 & 372, NSF/ANSI 14, IGC 319, PS117, Applies to elbow & plug
Lead-Free



PATENTS PENDING

NO.	DESCRIPTION	MATERIAL
1	Body	Lead-Free DZR Brass
2	O-Ring	EPDM
3	Plug	Lead-Free DZR Brass
4	Stiffener	Lead-Free DZR Brass



Designed for residential, commercial or industrial use with water, oil, or glycol mix. PEX end dimensions comply with the referenced ASTM specification.

ITEM#	Connection Type	SIZE (in)	Max Temp	Pressure Rating	A	B	C	D
H-16833W	Press × F1807 PEX	3/4	250°F Max	250 PSI CWP Max	1.65	1.20	1.06	0.13
H-16833W-R	Press × F1807 PEX	3/4 × 1/2	250°F Max	250 PSI CWP Max	1.42	1.22	1.06	0.13
H-16833W-R58	Press × F1807 PEX	3/4 × 5/8	250°F Max	250 PSI CWP Max	1.65	1.20	1.06	0.13
H-36833W	Press × F1960 PEX	3/4	250°F Max	250 PSI CWP Max	1.65	1.57	1.06	0.13
H-36833W-R	Press × F1960 PEX	3/4 × 1/2	250°F Max	250 PSI CWP Max	1.42	1.34	1.06	0.13
H-36833W-R58	Press × F1960 PEX	3/4 × 5/8	250°F Max	250 PSI CWP Max	1.65	1.50	1.06	0.13