

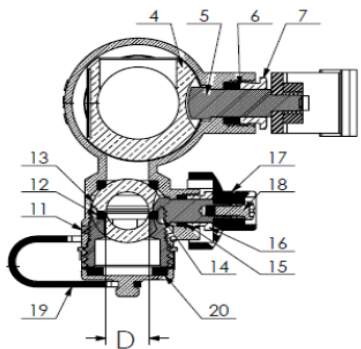
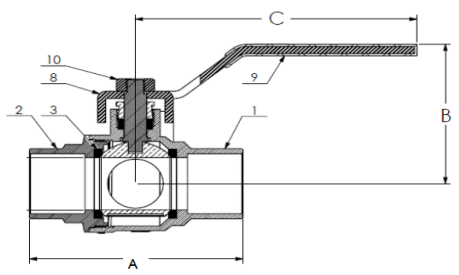


H-x061 Series

Pro-Pal Ball Drain
 Full Port Forged Brass Ball Valve
 w/ Hi-Flow Hose Drain,
 Reversible Handle
 & Adjustable Packing Glands

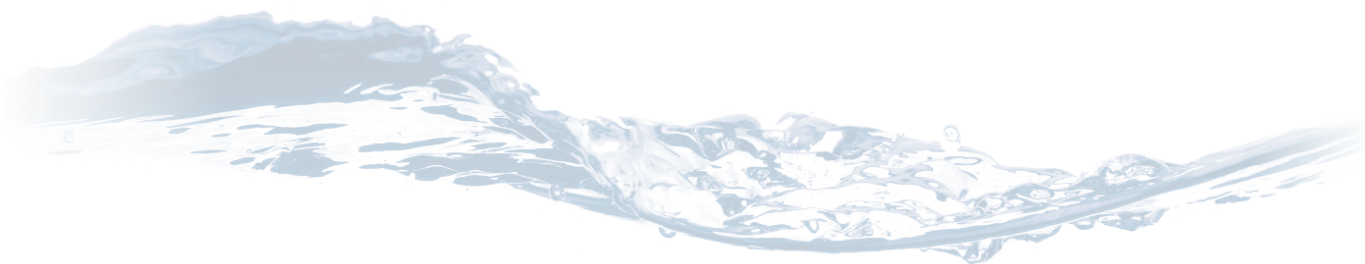


NO.	DESCRIPTION	MATERIAL
1	Body	Brass
2	End Cap	Brass
3	Seat	PTFE
4	Ball	Brass HCP
5	Stem	Brass
6	Stem Seal	PTFE
7	Packing Gland	Brass
8	Lever Handle	Steel CP
9	Handle Jacket	Vinyl
10	Handle Nut	Stainless Steel
11	End Cap	Brass
12	Seat	PTFE
13	Ball	Brass HCP
14	Stem	Brass
15	Stem Seal	PTFE
16	Packing Gland	Brass
17	Handle	Enamel Coated Aluminum
18	Handle Screw	Brass
19	Cap & Strap	Brass W/ PVC Strap
20	Washer	EPDM



Designed for residential, commercial, or industrial use. This approved Webstone valve is actuated by a blowout proof stem.

ITEM#	Connection Type	SIZE (in)	Max Temp	Pressure Rating	A	B	C	D
H-40612	FIP	1/2	350°F Max	600 PSI CWP Max	2.50	2.00	3.88	0.50
H-40613	FIP	3/4	350°F Max	600 PSI CWP Max	2.63	2.06	3.88	0.50
H-40614	FIP	1	350°F Max	600 PSI CWP Max	3.25	2.63	4.63	0.50
H-40615	FIP	1 1/4	350°F Max	600 PSI CWP Max	3.50	3.00	4.63	0.75
H-40616	FIP	1 1/2	350°F Max	600 PSI CWP Max	3.88	3.50	5.63	0.75
H-40617	FIP	2	350°F Max	600 PSI CWP Max	4.38	4.00	5.63	0.75
H-50612	SWT	1/2	250°F Max	600 PSI CWP Max	2.00	2.00	3.88	0.50
H-50613	SWT	3/4	250°F Max	600 PSI CWP Max	2.88	2.06	3.88	0.50
H-50614	SWT	1	250°F Max	600 PSI CWP Max	3.56	2.63	4.63	0.50
H-50615	SWT	1 1/4	250°F Max	600 PSI CWP Max	3.88	3.00	4.63	0.75
H-50616	SWT	1 1/2	250°F Max	600 PSI CWP Max	4.63	3.50	5.63	0.75
H-50617	SWT	2	250°F Max	600 PSI CWP Max	5.50	4.00	5.63	0.75
H-80612	Press	1/2	250°F Max	250 PSI CWP Max	3.75	1.94	3.88	0.50
H-80613	Press	3/4	250°F Max	250 PSI CWP Max	4.44	2.13	3.88	0.50
H-80614	Press	1	250°F Max	250 PSI CWP Max	4.81	2.63	4.63	0.50
H-80615	Press	1 1/4	250°F Max	250 PSI CWP Max	5.50	3.00	4.63	0.75
H-80616	Press	1 1/2	250°F Max	250 PSI CWP Max	5.88	3.56	5.63	0.75
H-80617	Press	2	250°F Max	250 PSI CWP Max	7.00	3.94	5.63	0.75



H-x061W Series

Pro-Pal Ball Drain
 Full Port Forged Brass Ball Valve
 w/ Hi-Flow Hose Drain,
 Reversible Handle
 & Adjustable Packing Glands

Certifications

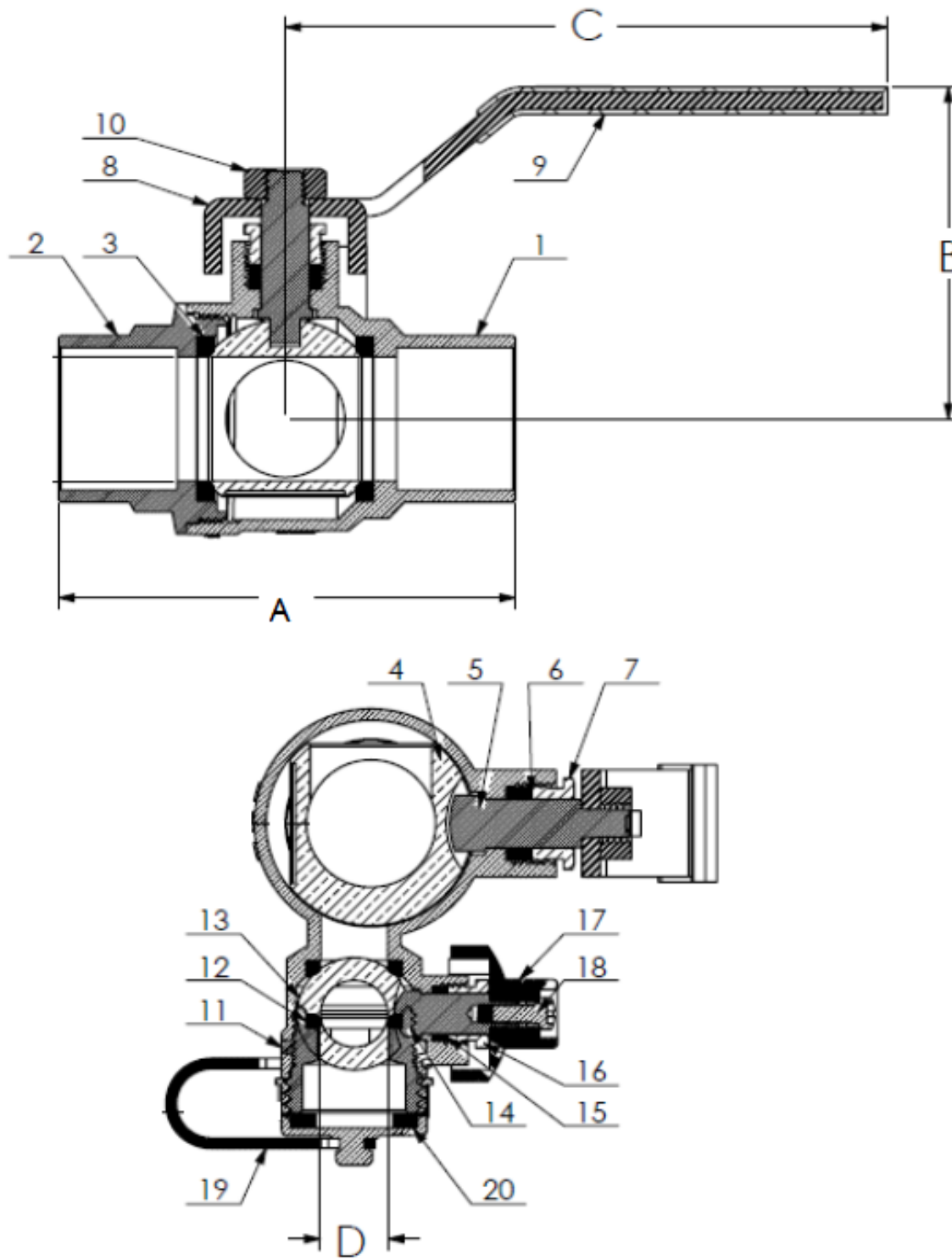
Certified to NSF/ANSI 61 & 372
 Lead-Free



NO.	DESCRIPTION	MATERIAL
1	Body	Lead Free DZR Brass
2	Cap	Lead Free DZR Brass
3	Seat	PTFE
4	Ball	Brass HCP
5	Stem	Brass
6	Packing	PTFE
7	Packing Gland	Brass
8	Handle	Steel CP
9	Handle Jacket	Vinyl
10	Handle Nut	Stainless Steel
11	Cap	Brass
12	Seat	PTFE
13	Ball	Brass HCP
14	Stem	Brass
15	Packing	PTFE
16	Packing Gland	Brass
17	Handle	Aluminum
18	Handle Screw	Brass
19	Cap & Strap	Brass W/ PVC Strap
20	Gasket	EPDM

ITEM#	Connection Type	SIZE (in)	Pressure Rating	Max Temp	A	B	C	D
* H-10612W	ASTM F1807 PEX	1/2	400 PSI CWP Max	200°F Max	2.90	2.50	3.50	0.50
* H-10613W	ASTM F1807 PEX	3/4	400 PSI CWP Max	200°F Max	3.15	2.50	3.50	0.50
* H-10614W	ASTM F1807 PEX	1	400 PSI CWP Max	200°F Max	3.88	2.75	4.63	0.50
* H-10615W	ASTM F1807 PEX	1 1/4	400 PSI CWP Max	200°F Max	4.51	3.00	4.50	0.75
* H-10616W	ASTM F1807 PEX	1 1/2	400 PSI CWP Max	200°F Max	5.13	3.63	5.63	0.75
* H-10617W	ASTM F1807 PEX	2	400 PSI CWP Max	200°F Max	6.64	4.00	5.63	0.75
* H-30612W	ASTM F1960 PEX	1/2	400 PSI CWP Max	200°F Max	2.96	2.50	3.50	0.50
* H-30613W	ASTM F1960 PEX	3/4	400 PSI CWP Max	200°F Max	3.72	2.50	3.50	0.50
* H-30614W	ASTM F1960 PEX	1	400 PSI CWP Max	200°F Max	4.59	2.75	4.63	0.50
* H-30615W	ASTM F1960 PEX	1 1/4	400 PSI CWP Max	200°F Max	5.48	3.00	4.50	0.75
* H-30616W	ASTM F1960 PEX	1 1/2	400 PSI CWP Max	200°F Max	6.21	3.63	5.63	0.75
* H-30617W	ASTM F1960 PEX	2	400 PSI CWP Max	200°F Max	7.82	4.00	5.63	0.75
H-40612W	FIP	1/2	600 PSI CWP Max	350°F Max	2.50	2.00	3.88	0.50
H-40613W	FIP	3/4	600 PSI CWP Max	350°F Max	2.63	2.06	3.88	0.50
H-40614W	FIP	1	600 PSI CWP Max	350°F Max	3.25	2.63	4.63	0.50
H-40615W	FIP	1 1/4	600 PSI CWP Max	350°F Max	3.50	3.00	4.63	0.75
H-40616W	FIP	1 1/2	600 PSI CWP Max	350°F Max	3.88	3.50	5.63	0.75
H-40617W	FIP	2	600 PSI CWP Max	350°F Max	4.38	4.00	5.63	0.75
H-50612W	SWT	1/2	600 PSI CWP Max	250°F Max	2.00	2.00	3.88	0.50
H-50613W	SWT	3/4	600 PSI CWP Max	250°F Max	2.88	2.06	3.88	0.50
H-50614W	SWT	1	600 PSI CWP Max	250°F Max	3.56	2.63	4.63	0.50
H-50615W	SWT	1 1/4	600 PSI CWP Max	250°F Max	3.88	3.00	4.63	0.75
H-50616W	SWT	1 1/2	600 PSI CWP Max	250°F Max	4.63	3.50	5.63	0.75
H-50617W	SWT	2	600 PSI CWP Max	250°F Max	5.50	4.00	5.63	0.75
H-80612W	Press	1/2	250 PSI CWP Max	250°F Max	3.75	1.94	3.88	0.50
H-80613W	Press	3/4	250 PSI CWP Max	250°F Max	4.44	2.13	3.88	0.50
H-80614W	Press	1	250 PSI CWP Max	250°F Max	4.81	2.63	4.63	0.50
H-80615W	Press	1 1/4	250 PSI CWP Max	250°F Max	5.50	3.00	4.63	0.75
H-80616W	Press	1 1/2	250 PSI CWP Max	250°F Max	5.88	3.56	5.63	0.75
H-80617W	Press	2	250 PSI CWP Max	250°F Max	7.00	3.94	5.63	0.75





Designed for residential, commercial or industrial use. This approved Webstone valve is actuated by a blowout proof stem. *Certified to NSF/ANSI 14.

THIS SPACE FOR DESIGNER/ENGINEER APPROVAL

Job/Customer _____	Date _____	Contractor _____
Model Specified _____	Qty _____	Approved By _____
Designer/Engineer _____	Date _____	Contractor's PO# _____
Submitted by _____	Date _____	Other _____

9061W Series

**Full Port Forged Brass Ball Valve
w/ Hi-Flow Hose Drain**

Adjustable Packing Gland & Reversible Handle

Lead Free

Female PP-R Metric Socket

Manufactured for use with Aquatherm® PP-R Piping Systems

Max. Operating Pressure: 355 PSI**

ISO 9001 - Patented Technology



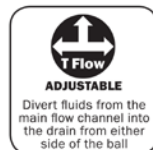
Lead free products
are certified to
NSF/ANSI 61
& NSF/ANSI 372

LEAD FREE ITEM#	METRIC PIPE SIZE	SIZE*	CTN	CASE	A	B	C	D	E	F
90613W	25	3/4"	4	32	3/4	4 5/16	2 1/16	3 7/8	2 3/8	1/2
90614W	32	1"	2	20	1	5 3/16	2 5/8	4 5/8	2 1/2	1/2
90615W	40	1 1/4"	2	16	1 1/4	5 3/4	3	4 5/8	3	3/4
90616W	50	1 1/2"	1	8	1 1/2	6 3/8	3 1/2	5 5/8	3 1/16	3/4
90617W	63	2"	1	6	2	7 1/8	4	5 5/8	4	3/4

*PP-R Sockets are manufactured based on metric units of measurement. Imperial nominal diameter is provided as reference only.
**Overall pressure rating at 73°F. Further restrictions determined by intended operating conditions and limitations specific to the system design.
Maximum pressure rating for the seat and body alone is 600 PSI.



TEMP °F	PSI
73	355
80	337
90	312
100	286
110	261
120	236
130	210
140	185
150	164
160	143
170	121
180	100



NO.	DESCRIPTION	MATERIAL
1	BODY	BRASS with PP-R
2	END CAP	BRASS with PP-R
3	SEAT	PTFE
4	BALL	BRASS HCP
5	STEM	BRASS
6	STEM SEAL	PTFE
7	PACKING GLAND	BRASS
8	LEVER HANDLE	STEEL CP
9	HANDLE JACKET	VINYL
10	HANDLE NUT	STAINLESS STEEL
11	END CAP	BRASS
12	SEAT	PTFE
13	BALL	BRASS HCP
14	STEM	BRASS
15	STEM SEAL	PTFE
16	PACKING GLAND	BRASS
17	HANDLE	ENAMEL COATED ALUMINUM
18	HANDLE SCREW	BRASS
19	CAP & STRAP	BRASS W/ PVC STRAP
20	WASHER	EPDM



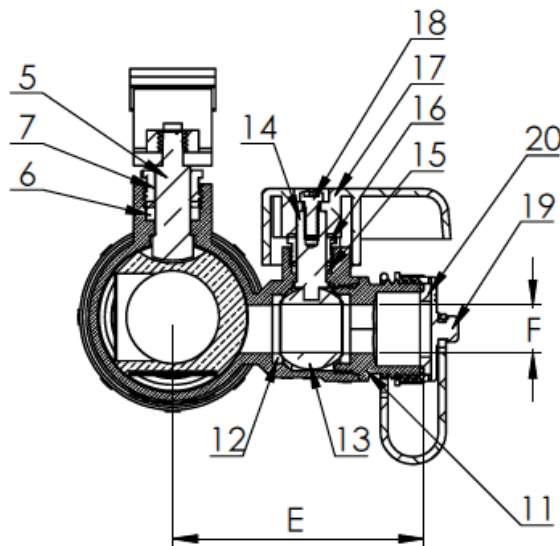
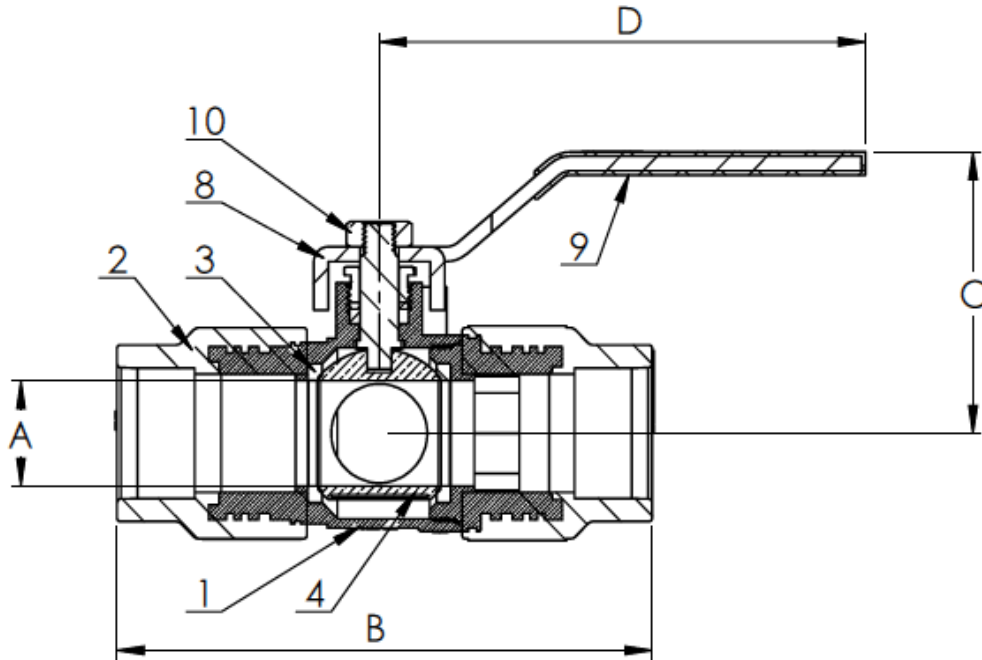
Quality and Commitment Since 1954

www.webstonevalves.com · P: (800) 225-9529 · F: (800) 336-5133

Webstone product specifications in U.S. customary units are approximate and are provided for reference only. Webstone reserves the right to change or modify product design, construction, specifications or materials without prior notice and without incurring any obligation to make such changes and modifications on Webstone products previously or subsequently sold.

THIS SPACE FOR DESIGNER/ENGINEER APPROVAL

Job/Customer _____	Date _____	Contractor _____
Model Specified _____	Qty _____	Approved By _____
Designer/Engineer _____	Date _____	Contractor's PO# _____
Submitted by _____	Date _____	Other _____



Specifications: Designed for residential, commercial or industrial use with water, oil or gas. This approved Webstone valve is actuated by a blowout proof stem and features an adjustable packing gland. Socket end dimensions are in accordance with ASTM F 2389 Metric Series. Aquatherm® is a registered trademark of [aquatherm GmbH](http://www.aquatherm.com) used with permission. Visit www.aquatherm.com for additional information related to the PP-R socket ends, PP-R pipe and fittings, and socket fusion welding.

Webstone
VALVE INNOVATION

Quality and Commitment Since 1954

www.webstonevalves.com · P: (800) 225-9529 · F: (800) 336-5133

Webstone product specifications in U.S. customary units are approximate and are provided for reference only. Webstone reserves the right to change or modify product design, construction, specifications or materials without prior notice and without incurring any obligation to make such changes and modifications on Webstone products previously or subsequently sold.

9061Wspec_122815

THIS SPACE FOR DESIGNER/ENGINEER APPROVAL

Job/Customer _____	Date _____	Contractor _____
Model Specified _____	Qty _____	Approved By _____
Designer/Engineer _____	Date _____	Contractor's PO# _____
Submitted by _____	Date _____	Other _____

10061W Series

Full Port Forged Brass Ball Valve

w/ Hi-Flow Hose Drain

Adjustable Packing Gland & Reversible Handle

Lead Free

Female PP-RCT Metric Socket

Manufactured for use with all PP-R & PP-RCT Piping Systems

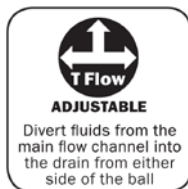
Max. Operating Pressure: 600 PSI**

ISO 9001 - Patented Technology



Lead free products are certified to NSF/ANSI 61 & NSF/ANSI 372

LEAD FREE ITEM#	METRIC PIPE SIZE	SIZE*	CTN	CASE	A	B	C	D	E	F
100613W	25	3/4"	4	32	3/4	4 5/16	2 1/16	3 7/8	2 3/8	1/2
100614W	32	1"	2	20	1	5 3/16	2 5/8	4 5/8	2 1/2	1/2
100615W	40	1 1/4"	2	16	1 1/4	5 3/4	3	4 5/8	3	3/4
100616W	50	1 1/2"	1	8	1 1/2	6 3/8	3 1/2	5 5/8	3 1/16	3/4
100617W	63	2"	1	6	2	7 1/8	4	5 5/8	4	3/4



NO.	DESCRIPTION	MATERIAL
1	BODY	BRASS with PP-RCT
2	END CAP	BRASS with PP-RCT
3	SEAT	PTFE
4	BALL	BRASS HCP
5	STEM	BRASS
6	STEM SEAL	PTFE
7	PACKING GLAND	BRASS
8	LEVER HANDLE	STEEL CP
9	HANDLE JACKET	VINYL
10	HANDLE NUT	STAINLESS STEEL
11	END CAP	BRASS
12	SEAT	PTFE
13	BALL	BRASS HCP
14	STEM	BRASS
15	STEM SEAL	PTFE
16	PACKING GLAND	BRASS
17	HANDLE	ENAMEL COATED ALUMINUM
18	HANDLE SCREW	BRASS
19	CAP & STRAP	BRASS W/ PVC STRAP
20	WASHER	EPDM

*PP-R Sockets are manufactured based on metric units of measurement. Imperial nominal diameter is provided as reference only. **Valve seat/body maximum pressure rating at 100 F. Overall valve pressure rating is determined by intended operating conditions and limitations specific to the system design.



Quality and Commitment Since 1954

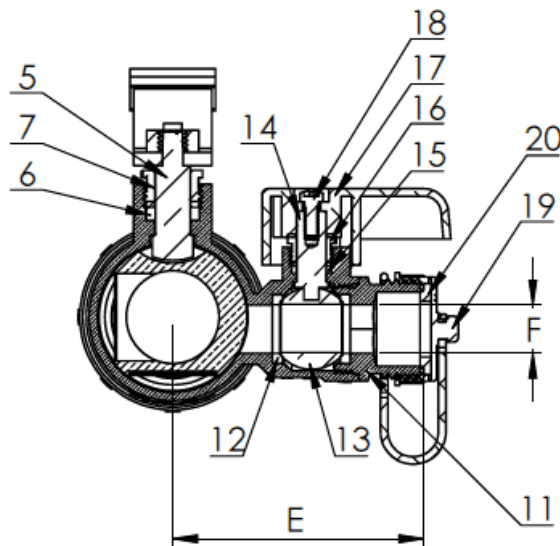
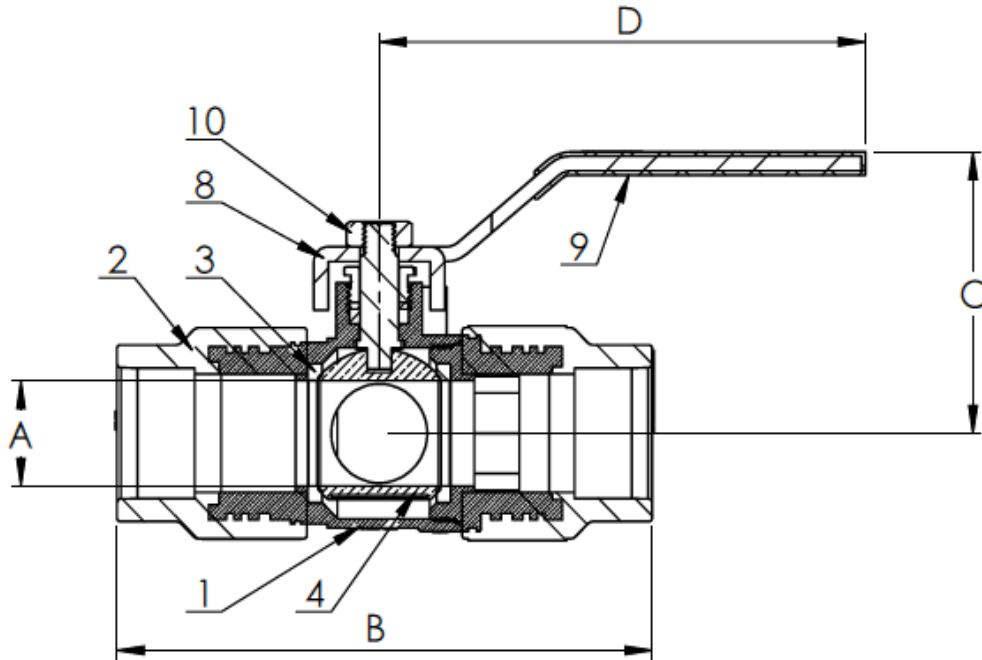
www.webstonevalves.com · P: (800) 225-9529 · F: (800) 336-5133

Webstone product specifications in U.S. customary units are approximate and are provided for reference only. Webstone reserves the right to change or modify product design, construction, specifications or materials without prior notice and without incurring any obligation to make such changes and modifications on Webstone products previously or subsequently sold.

10061Wspec_122815

THIS SPACE FOR DESIGNER/ENGINEER APPROVAL

Job/Customer _____	Date _____	Contractor _____
Model Specified _____	Qty _____	Approved By _____
Designer/Engineer _____	Date _____	Contractor's PO# _____
Submitted by _____	Date _____	Other _____



Specifications: Designed for residential, commercial or industrial use with water, oil or gas. This approved Webstone valve is actuated by a blowout proof stem and features an adjustable packing gland. Socket end dimensions are in accordance with ASTM F 2389 Metric Series.

Webstone
VALVE INNOVATION

Quality and Commitment Since 1954

www.webstonevalves.com · P: (800) 225-9529 · F: (800) 336-5133

Webstone product specifications in U.S. customary units are approximate and are provided for reference only. Webstone reserves the right to change or modify product design, construction, specifications or materials without prior notice and without incurring any obligation to make such changes and modifications on Webstone products previously or subsequently sold.

10061Wspec_122815