

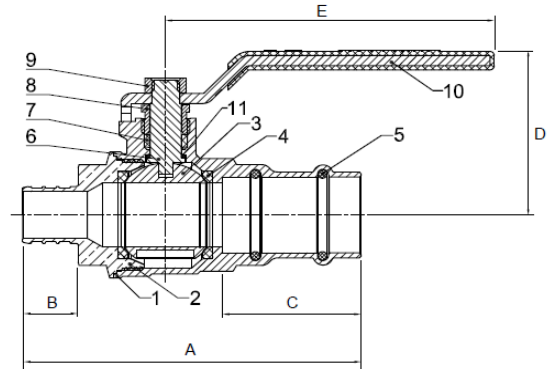
Full Port Forged DZR Brass Ball Valve
w/ Adjustable Packing Gland

Certifications

Certified to NSF/ANSI 61 & 372 NSF/ANSI 14



NO.	DESCRIPTION	MATERIAL
1	Body	Lead Free Brass
2	End Cap	Lead Free Brass
3	Ball	Lead Free Brass
4	Seats	PTFE
5	O-Ring	EPDM
6	Stem	Brass; 1-1/4"-2"
7	Stem Seal	PTFE
8	Packing Gland	Brass
9	Handle Nut	Stainless Steel
10	Handle	Chrome Plated Steel
11	Stem Seal	PTFE



Designed for residential, commercial or industrial use with water, oil or gas. This approved Webstone valve is actuated by a blowout proof stem and features an adjustable packing gland. PEX end dimensions comply with the referenced ASTM specification.

ITEM#	Connection Type	SIZE (in)	Pressure Rating	Max Temp	A	B	C	D	E
H-80132W	Press x ASTM F1807 PEX	1/2	250 CWP PSI	250 F	3.44	0.65	1.38	1.66	3.74
H-80133W	Press x ASTM F1807 PEX	3/4	250 CWP PSI	250 F	3.81	0.65	1.57	1.92	3.74
H-80134W	Press x ASTM F1807 PEX	1	250 CWP PSI	250 F	4.26	0.82	1.57	2.30	4.33
H-80135W	Press x ASTM F1807 PEX	1 1/4	250 CWP PSI	250 F	5.16	0.95	1.69	2.74	5.12
H-80136W	Press x ASTM F1807 PEX	1 1/2	250 CWP PSI	250 F	5.67	1.15	1.85	2.94	5.12
H-80137W	Press x ASTM F1807 PEX	2	250 CWP PSI	250 F	6.88	1.50	2.13	3.47	6.34
H-80332W	Press x ASTM F1960 PEX	1/2	250 CWP PSI	250 F	3.49	0.70	1.38	1.66	3.74
H-80333W	Press x ASTM F1960 PEX	3/4	250 CWP PSI	250 F	4.15	0.94	1.57	1.92	3.74
H-80334W	Press x ASTM F1960 PEX	1	250 CWP PSI	250 F	4.61	1.17	1.57	2.30	4.33
H-80335W	Press x ASTM F1960 PEX	1 1/4	250 CWP PSI	250 F	5.65	1.43	1.69	2.74	5.12
H-80336W	Press x ASTM F1960 PEX	1 1/2	250 CWP PSI	250 F	6.21	1.69	1.85	2.94	5.12
H-80337W	Press x ASTM F1960 PEX	2	250 CWP PSI	250 F	7.51	2.13	2.13	3.47	6.34

