



H-2244x-24 Series

Gas Sediment Trap Kit
Full Port Forged Brass Gas Ball Valve
w/ 3" Tee Fitting, Cap
& 24" Gas Flex Line

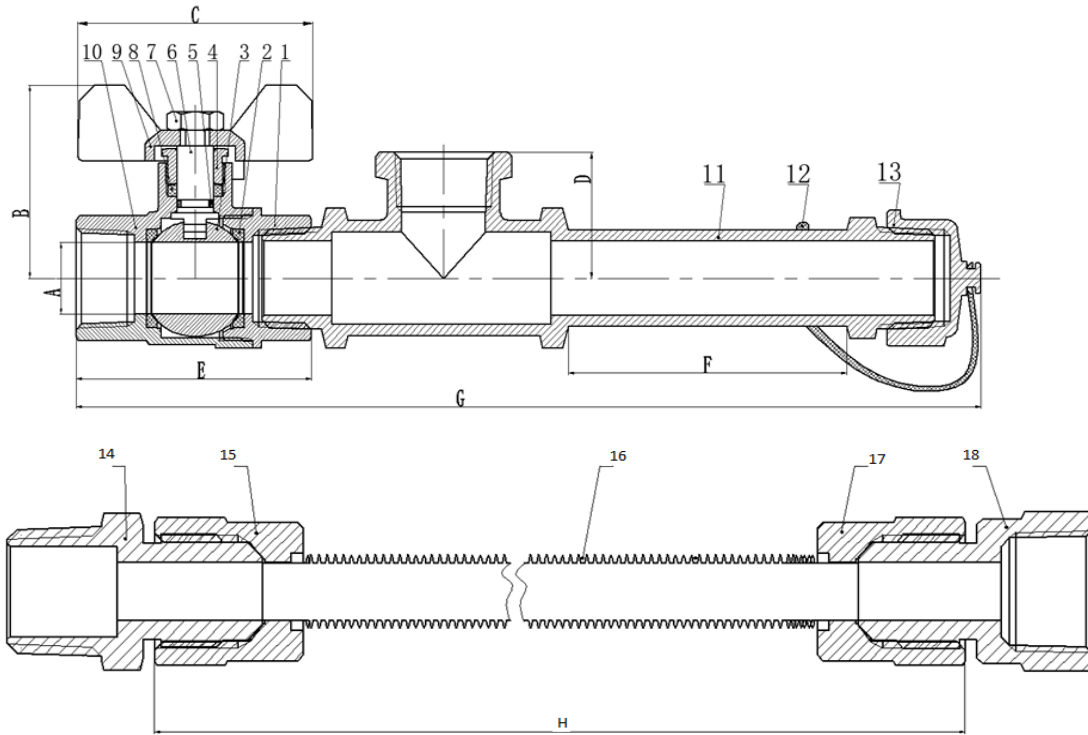
Certifications

Flex Line: ANSI Z21.24 & CSA 6.10 - Valve: ANSI Z21.15 & CSA 9.1



PATENTS PENDING

NO.	DESCRIPTION	MATERIAL
1	Body	Brass
2	Seat	PTFE
3	Ball	Brass/Chrome Plated
4	Packing Nut	Brass
5	O-Ring	NBR
6	Stem	Brass
7	Handle Nut	Plated Steel
8	Packing	PTFE
9	Handle	Aluminum
10	Cap	Brass
11	Gas Sediment Trap	Brass
12	Strap	PVC
13	Cap	Brass
14	Fitting	Plated Steel
15	Pipe End	Plated Steel
16	Corrugated Pipe	Stainless steel
17	Pipe End	Plated Steel
18	Fitting	Plated Steel



This approved Webstone valve is designed residential and commercial use with gas. Threaded ends comply with ASME B1.20.1.

ITEM#	Connection Type	SIZE (In)	Max Temp	Pressure Rating	A	B	C	D	E	F	G	H	MAX BTU
H-22442-24-FP	FIP	1/2	149°F Max	1/2 PSI Max	0.50	1.44	1.28	1.12	2.20	2.99	8.86	22.00	85,000
H-22443-24-FP	FIP	3/4	149°F Max	1/2 PSI Max	0.75	1.54	1.28	1.31	2.36	3.00	9.75	22.00	290,000