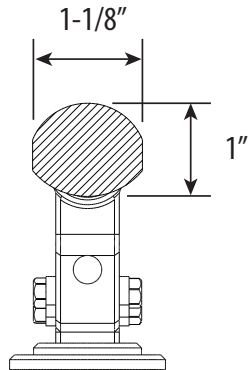


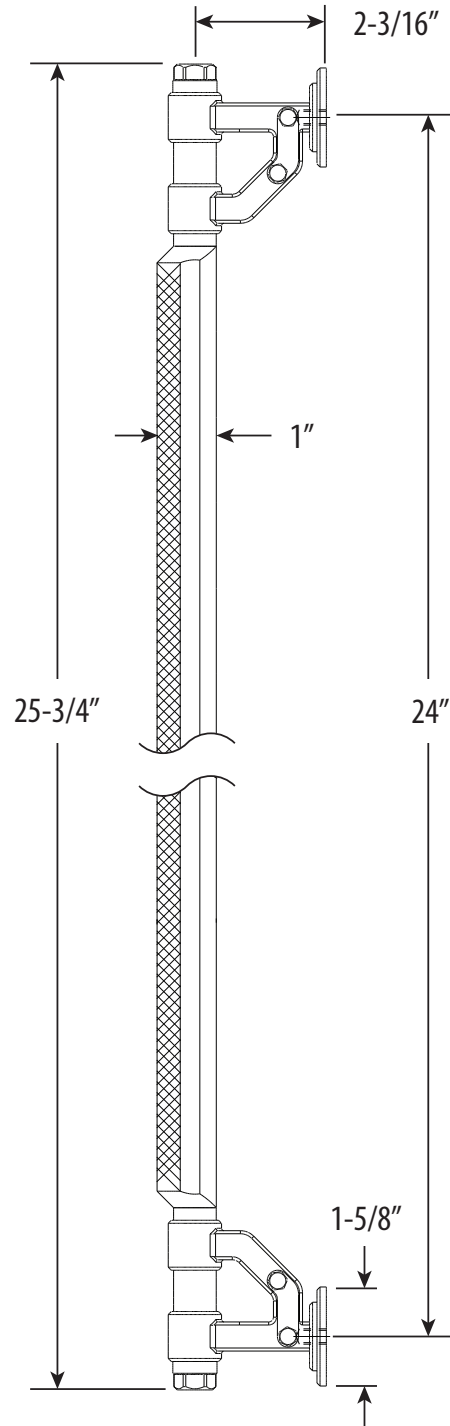
INDUSTRIAL 24" HEAVY DUTY APPLIANCE PULL

HIP-2400

• FITS MATERIALS FROM 1/4" TO 1-1/2" THICK



END VIEW

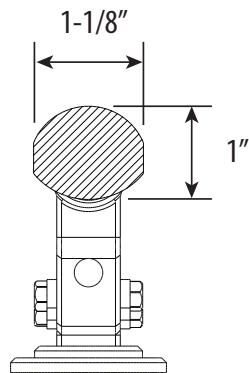


DIMENSIONS MAY VARY AND ARE SUBJECT TO CHANGE. NO RESPONSIBILITY IS ASSUMED FOR USE OF SUPERCEDED OR VOIDED DATA

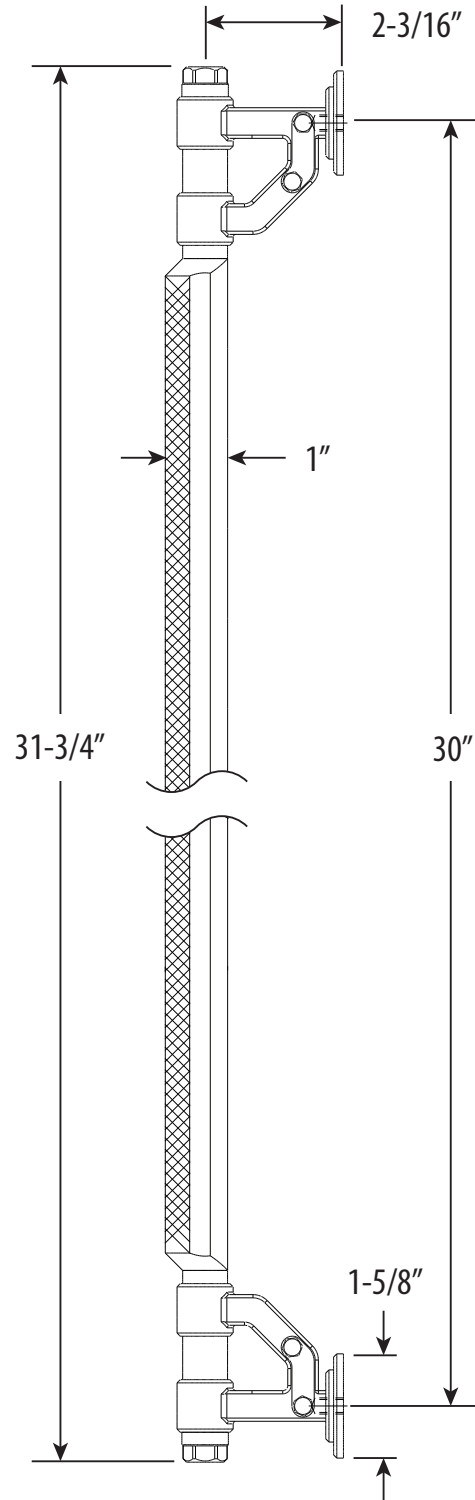
INDUSTRIAL 30" HEAVY DUTY APPLIANCE PULL

HIP-3000

• FITS MATERIALS FROM 1/4" TO 1-1/2" THICK



END VIEW



DIMENSIONS MAY VARY AND ARE SUBJECT TO CHANGE. NO RESPONSIBILITY IS ASSUMED FOR USE OF SUPERCEDED OR VOIDED DATA