



**Backflow Protected  
Automatic Draining  
Freezeless**

**Sanitary Yard Hydrant  
Model S3**

The Model S3 hydrant is designed for use anywhere potable water is required.

Unlike conventional hydrants which drain the water into the ground, the Model S3 employs a reservoir below frost line to contain the water. The hydrant is completely sealed to prevent surface and ground water from entering reservoir or service line. The valve, with it's unique venturi design, removes the stored water along with the water being used.

The Model S3 is equipped with a diverter spout, which allows the hydrant to be operated independently from the backflow preventer. When the hydrant is to be used with a hose, the diverter sleeve is pulled down during flow and water is automatically diverted to the backflow preventer hose connection. The diverter will work with or without a hose attached to the backflow preventer and will automatically release any time the hydrant is shut off.

An important feature of the S3 is easy maintenance. The entire working portion of the hydrant can be removed from the reservoir without any excavation.

**SPECIFICATIONS:  
HOSE CONNECTION BACKFLOW PREVENTER (BFP)**

- NIDEL® Model 37HF
- ASSE 1052
- Field Testable (see instruction sheet)
- Two Check Valves

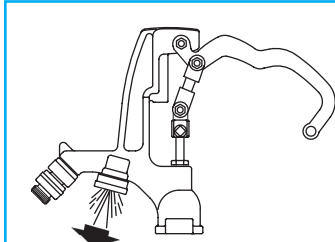
**OPTIONAL:** ASSE 1057 listed - Consists of NIDEL® Model 34HF Single Check Vacuum Breaker  
Order example: [S3-Bury Depth-SC](#)

- FEMALE INLET** - 1" N.P.T.
- MIN PRESSURE** - 20 psi
- MAX PRESSURE** - 100 psi
- MAX TEMPERATURE** - 120° F

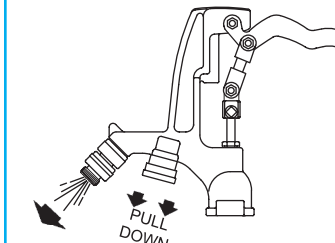
**Patent Information:**  
<http://www.woodfordmfg.com/Woodford/patents/>  
**Installation and Troubleshooting Instructions see**  
[woodfordmfg.com](http://www.woodfordmfg.com) or call 1-800-621-6032

**NOTICE**

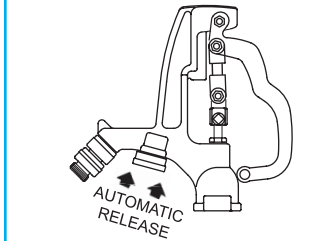
**FOR WINTER USE:** The hydrant must be operated at full flow, through the diverter, for a minimum of 30 seconds before and after each use to drain the hydrant and prevent freezing.



When the hydrant is opened to an ON position, water will flow through the diverter spout.



By pulling down on the diverter sleeve during flow, water will be diverted through the backflow preventer (BFP), and allow use with a hose.

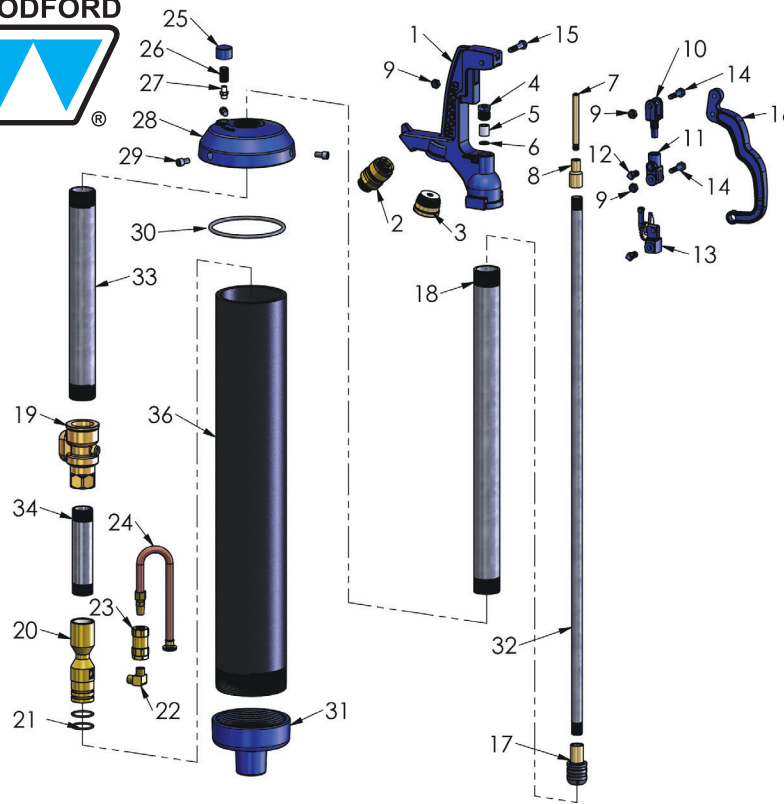


When the hydrant is closed to an OFF position, the diverter will automatically release, allowing the hydrant to drain into the reservoir. The hydrant will drain even if a pressurized or non pressurized hose is attached.



*When ordering, specify bury depth.*

**WOODFORD**



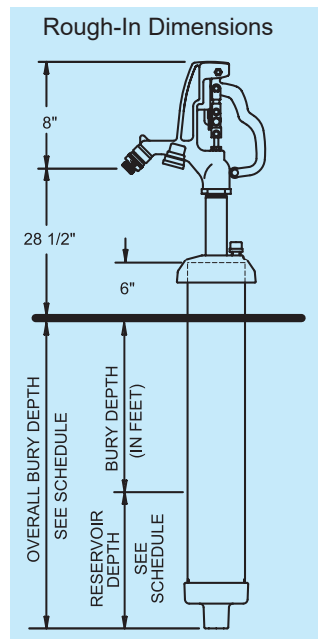
**MODEL S3 PARTS LIST**

ITEM	PART #	DESCRIPTION
	15219	S3 Head Assembly (Includes Items 1-16)
1	10449	Head
2	37HF-BR	37HF Backflow Preventer
3	15220	Diverter Assembly
4	10100	Packing Nut
5	10101	Packing
6	10102	Packing Support Washer
7	10104	Brass Rod Stem
8	10011	Reducing Coupling
9	10206	Hex Nut
10	10444	Upper Link
11	15211	Lower Link (with set screw 10019)
12	10019	Set Screw
13	15241	Cam and Clevis Assembly (blue)
14	10020	Link Bolt
15	10021	Lever Bolt
16	10443	Lever
17	10106	Plunger
18	10285	Upper Pipe (21 5/16" Long)
19	10017	Valve Body (1" NPT Inlet)
20	15189	Venturi Assembly
21	10321	Valve Body O-Ring (2 Required)
22	10432	Brass Elbow
23	10408	Check Valve
24	15216	Siphon Tube Assembly
25	10446	Vent Cap
26	10445	3/8" Pipe Nipple
27	15136	Sniffer Valve
28	15218	Casing Cover w/Warning Label
	15218N	Un-Threaded Casing Cover w/Warning Label (Pre-Sept 2013)
29	10409	Reservoir Clamp Screw
30	10410	Reservoir O-Ring
31	10401	Inlet Casting
32		<b>OPERATING PIPE</b>
		<b>(Bury Depth &amp; Length)</b>
	10023	1' Bury (35 1/2" Long)
	10024	2' Bury (47 1/2" Long)
	10025	3' Bury (59 1/2" Long)
	10026	4' Bury (71 1/2" Long)
	10027	5' Bury (83 1/2" Long)
	10028	6' Bury (95 1/2" Long)
	10029	7' Bury (107 1/2" Long)
33		<b>1 1/4" LOWER PIPE CASING</b>
		<b>(Bury Depth &amp; Length)</b>
	10270	1' Bury (13 3/4" Long)
	10271	2' Bury (25 3/4" Long)
	10272	3' Bury (37 3/4" Long)
	10273	4' Bury (49 3/4" Long)
	10274	5' Bury (61 3/4" Long)
	10275	6' Bury (73 3/4" Long)
	10276	7' Bury (85 3/4" Long)
34		<b>1" EXTENSION PIPE</b>
		<b>(Bury Depth &amp; Length)</b>
	10411	1' Bury (5 5/8" Long)
	10412	2' Bury (7" Long)
	10413	3' Bury (8 3/8" Long)
	10414	4' Bury (9 3/4" Long)
	10415	5' Bury (11 1/8" Long)
	10416	6' Bury (12 1/2" Long)
	10417	7' Bury (13 7/8" Long)
35		<b>RESERVOIR PIPE</b>
		<b>(Bury Depth &amp; Length)</b>
	10421	1' Bury (26" Long)
	10422	2' Bury (39 1/4" Long)
	10423	3' Bury (52 3/4" Long)
	10424	4' Bury (66" Long)
	10425	5' Bury (79 1/2" Long)
	10426	6' Bury (92 3/4" Long)
	10427	7' Bury (106 1/4" Long)
	15201	Warning Label Kit

RK-Y1 Repair Kit (Includes Items 4-7 & 17)  
 RK-SHL Repair Kit (Includes Items 9-15)

Bury Depth	1'	2'	3'	4' *	5' *	6' *	7' *
Reservoir Depth	10 1/2"	11 7/8"	13 1/4"	14 5/8"	16"	17 3/8"	18 3/4"
Overall Bury Depth	22 1/2"	35 7/8"	49 1/4"	62 5/8"	76"	89 3/8"	102 3/4"
Weight (lbs)	36	42	48	54	59	65	71

\* Must ship by truck line due to length.



For more information contact...

**WOODFORD MANUFACTURING COMPANY**

2121 Waynoka Road, Colorado Springs, Colorado 80915 • Phone: (800) 621-6032 • Fax: (800) 765-4115

To view our complete product line visit: [www.woodfordmfg.com](http://www.woodfordmfg.com) or email: [sales@woodfordmfg.com](mailto:sales@woodfordmfg.com)

A Division Of WCM Industries, Inc.