

# Mounting Sleeve WF-30MS



For **WOODFORD Model 30 Wall Faucet ONLY**  
*Patent Pending*

*For more information contact...*

## WOODFORD MANUFACTURING COMPANY

2121 Waynoka Road, Colorado Springs, Colorado 80915 • Phone: (800) 621-6032 • Fax: (800) 765-4115

To view our complete product line visit: [www.woodfordmfg.com](http://www.woodfordmfg.com) or email: [sales@woodfordmfg.com](mailto:sales@woodfordmfg.com)

*A Division of WCM Industries, Inc.*

The Woodford Model 30 Wall Faucet Mounting Sleeve (WF-30MS) takes the guesswork out of how far to stub-out Woodford Model 30 freezeless faucets through brick, stone or stucco veneers. It also provides a secure anchor for the faucet.

The Model 30 Mounting Sleeve allows the plumber to determine a stub-in location and set an adjustable finish depth required by the brick or stone mason. A numbered scale is built into the top of the Mounting Sleeve.

The faucet installation is completed by mating the faucet wall flange to the front of the Mounting Sleeve and securing with two, furnished flange screws. The proper drain angle is built-in to the faucet head casting.



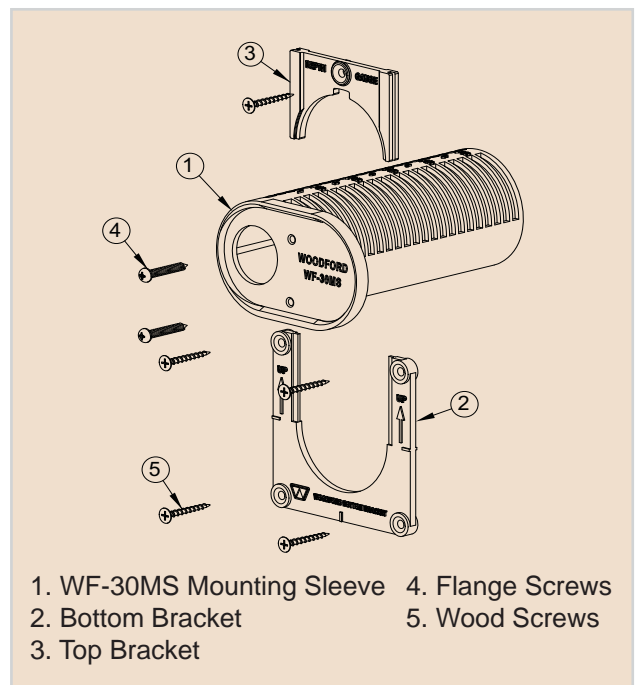
**Finished brick and mortar with Model 30 faucet attached to Mounting Sleeve**



**Mounting Sleeve Parts**



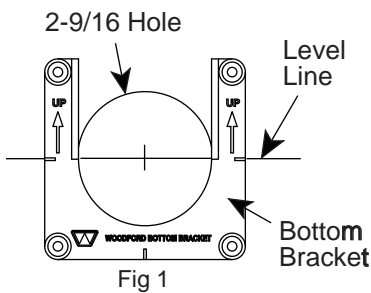
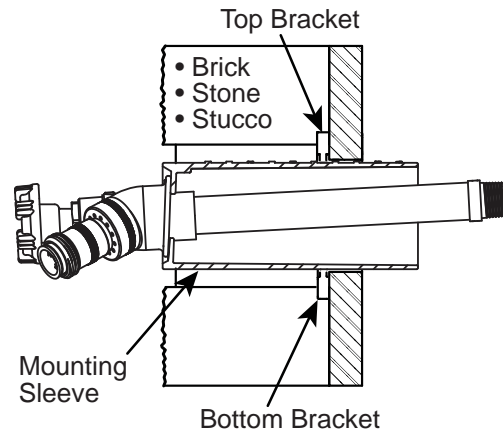
**Mounting Sleeve adjusted for depth and attached to wall**



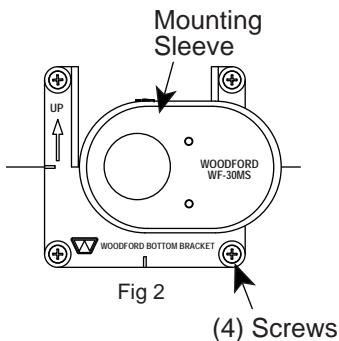
*See reverse side for Installation Instructions.*

## WF-30MS

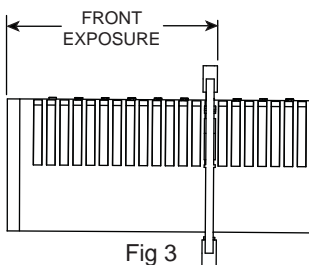
### Wall Faucet Mounting Sleeve Installation Instructions For Woodford Models 30 ONLY



1. Determine the wall surface where the Mounting Sleeve will be located. Fig 1
2. Draw a level line, center and drill a 2-9/16" hole. Fig 1

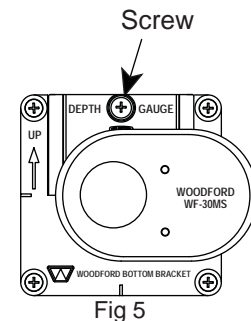
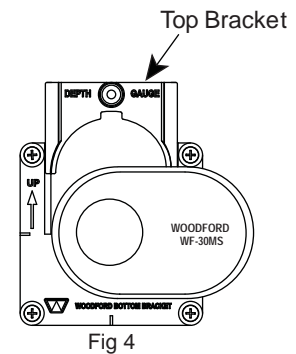


3. Align the Bottom Bracket, arrows pointing up, with the hole and level line. (The Mounting Brackets can be installed on the inside wall or the outside of the wall) Fig 1
4. Use (4) of the furnished wood screws to secure the Bottom Bracket. Fig 2
5. Slide Mounting Sleeve through the hole. Use the number scale on top of the Mounting Sleeve to determine exposure distance. Fig 3



6. Slide the Top Bracket over the Mounting Sleeve and into the Bottom Bracket. Fig 4
7. Lock the Top Bracket into one of the Mounting Sleeve slots. Use the remaining wood screw to secure the Top Bracket. Fig 5

Note: If soldering to an inlet, make sure heat is far enough away from the Mounting Sleeve.



For more information contact...

**WOODFORD MANUFACTURING COMPANY**

2121 Waynoka Road, Colorado Springs, Colorado 80915 • Phone: (800) 621-6032 • Fax: (800) 765-4115

To view our complete product line visit: [www.woodfordmfg.com](http://www.woodfordmfg.com) or email: [sales@woodfordmfg.com](mailto:sales@woodfordmfg.com)

A Division Of WCM Industries, Inc.