

# INSTALLATION INSTRUCTIONS



For more information contact...

## WOODFORD MANUFACTURING COMPANY

2121 Waynoka Road, Colorado Springs, Colorado 80915 • Phone: (800) 621-6032 • Fax: (800) 765-4115

To view our complete product line visit: [www.woodfordmfg.com](http://www.woodfordmfg.com) or email: [sales@woodfordmfg.com](mailto:sales@woodfordmfg.com)

A Division of WCM Industries, Inc.

Rev 12/19 Form No. II22.103

## Model 22 & V22

**HOT & COLD**

### Freezeless Wall Faucet

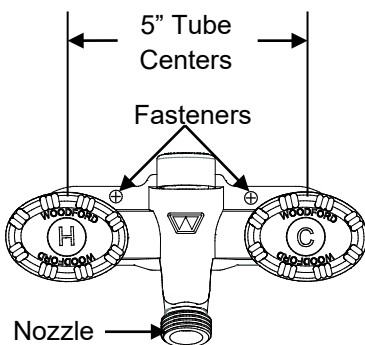


Model 22  
Anti-siphon protected

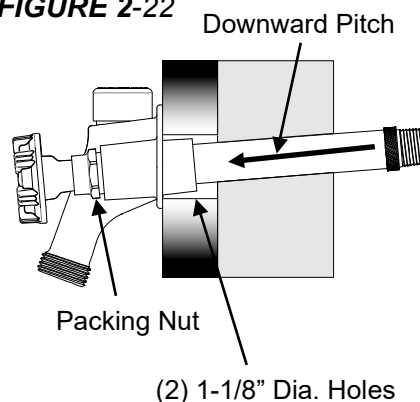


Model V22  
Anti-siphon protected

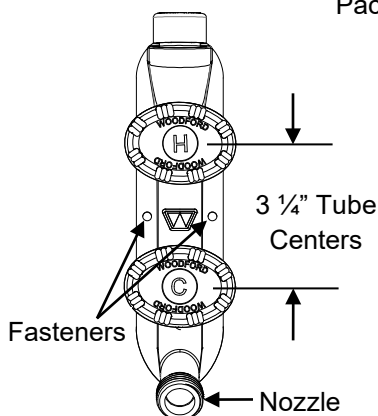
**FIGURE 1-22**



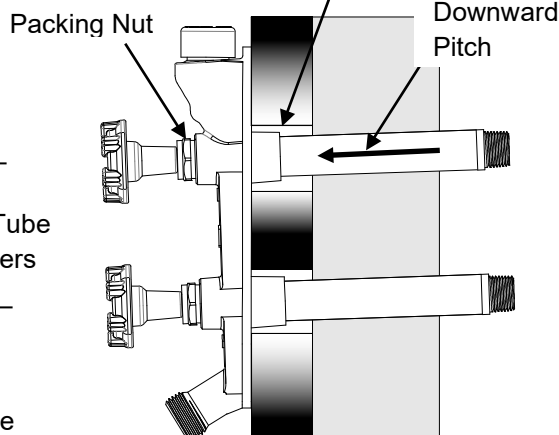
**FIGURE 2-22**



**FIGURE 1-V22**



**FIGURE 2-V22**



Wall faucets must be properly installed and operated to insure drainage. Improperly installed or operated wall faucets may freeze and burst in freezing weather.

#### INSTALLATION INSTRUCTIONS:

1. Before installation, flush supply line to remove any debris.
2. Drill (2) 1-1/8" diameter holes through the wall in the desired location and insert the faucet from the outside. **FIGURE 1**
  - a. Drill (2) holes for the horizontal mounted Model 22 water tubes on 5" centers.
  - b. Drill (2) holes for the vertical mounted Model V22 water tubes on 3 1/4" centers.
3. Install faucet with nozzle pointing down. **FIGURE 1**
4. The water tubes must have a slight downward pitch for proper drainage. *Proper drain angle is built in to the faucet head if mounted on a vertical surface.* **FIGURE 2**
5. Secure faucet to the wall using appropriate fasteners installed through the holes in the flange. **FIGURE 1**
6. *For a solder connection inlet*, open faucet to full open position before soldering. Excessive heat can damage valve seat rubber or stainless steel seat and factory solder joint.

**NOTE:** The packing nut, located behind the handle, has been factory adjusted. If leakage should occur after installation or use, the packing nut can be tightened to stop the leak. **FIGURE 2**

This ASSE 1019 device is intended for irrigation use and outdoor watering and shall not be subjected to more than (12) hours of continuous water pressure.