



**T&S BRASS AND BRONZE WORKS, INC.**  
 2 Saddleback Cove / P.O. Box 1088  
 Travelers Rest, SC 29690

Model No.  
**B-2990-175F**

Item No.

Travelers Rest, SC: 800-476-4103 • Simi Valley, CA: 800-423-0150 • Fax: 864-834-3518 • www.tsbrass.com



**ADA Compliant**

This Space for Architect/Engineer Approval

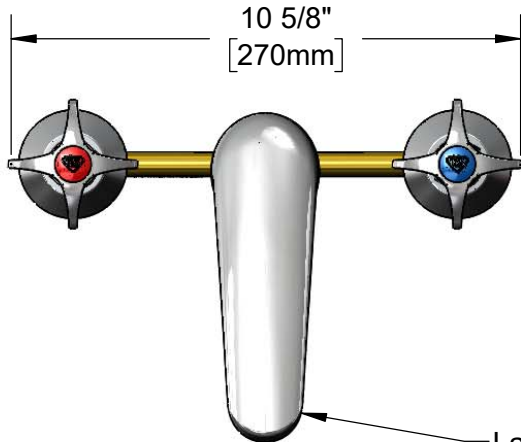
Job Name \_\_\_\_\_ Date \_\_\_\_\_

Model Specified \_\_\_\_\_ Quantity \_\_\_\_\_

Customer/Wholesaler \_\_\_\_\_

Contractor \_\_\_\_\_

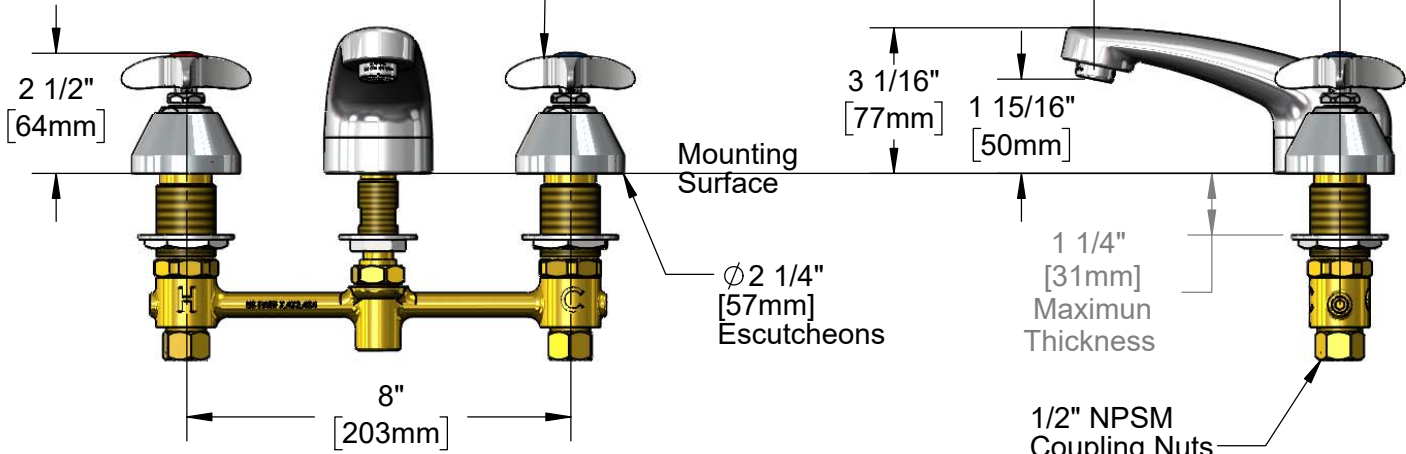
Architect/Engineer \_\_\_\_\_



Lavatory Spout  
 w/ B-0199-03  
 2.2 GPM Aerator



Quarter-Turn Eterna  
 Cartridges w/ Spring  
 Checks & 4-Arm Handles  
 w/ Color Coded Indexes



**Rough-In Requirement:**  
 Center Shank: 1" [25mm] Mounting Holes  
 Hot/Cold Side: 1 1/2" [38mm] Mounting Holes

**Product Specifications:**  
 8" Concealed Widespread EasyInstall Mixing Faucet, 4-Arm Handles, Quarter-Turn Eterna Cartridges w/ Spring Checks, Lavatory Spout w/ 2.2 GPM Aerator & 1/2" NPT Male Inlets w/ Coupling Nuts

**Product Compliance:**  
 ASME A112.18.1 / CSA B125.1  
 NSF 61 - Section 9  
 NSF 372 (Low Lead Content)  
 ANSI A117.1 (ADA)



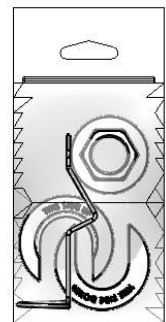
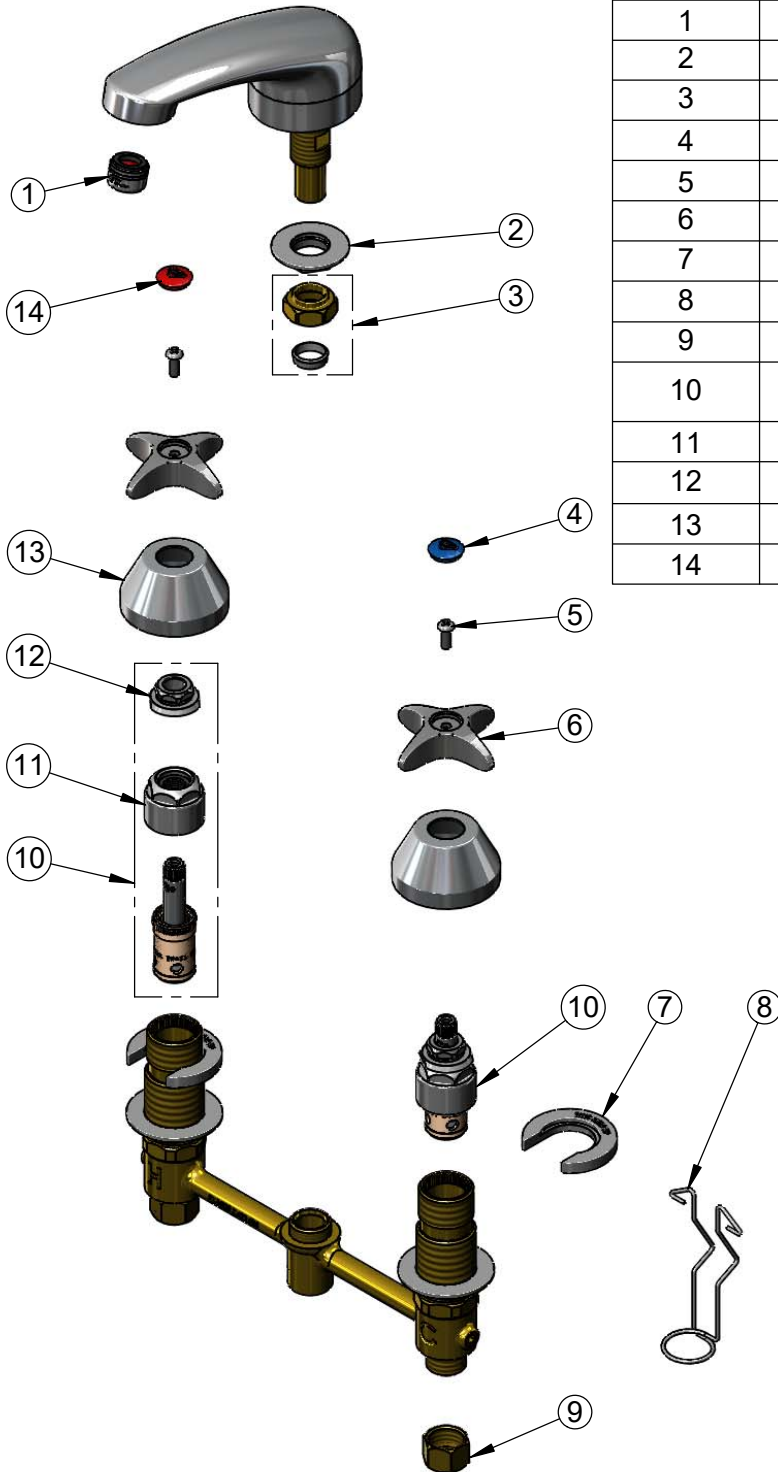
**T&S BRASS AND BRONZE WORKS, INC.**  
 2 Saddleback Cove / P.O. Box 1088  
 Travelers Rest, SC 29690

Model No.  
**B-2990-175F**

Item No.

Travelers Rest, SC: 800-476-4103 • Simi Valley, CA: 800-423-0150 • Fax: 864-834-3518 • www.tsbrass.com

ITEM NO.	SALES NO.	DESCRIPTION
1	B-0199-03	2.2 GPM Aerator
2	016742-45	Center Flange Nut
3	016745-45	Compression Nut & Fitting
4	018506-19NS	Blue Button Index, Press-in
5	000925-45	Lab Handle Screw
6	002521-45NS	4-Arm Handle (New Style)
7	016749-45	Sidebody C-Washer
8	016777-45	CWS Hanger
9	000958-20	Coupling Nut
10	016753-40NS	EasyInstall CWS RTC Quarter-Turn Eterna Cartridge w/ Spring Check
11	016743-25	CWS Eterna Bonnet
12	009002-40NS	Packing Nut (New Style)
13	001257-40NS	Bell Escutcheon
14	001193-19NS	Red Button Index, Press-in



017245-40  
 Installation Repair Kit  
 Includes #2, (2)#7, & #8

**Product Specifications:**  
 8" Concealed Widespread EasyInstall Mixing Faucet, 4-Arm Handles, Quarter-Turn Eterna Cartridges w/ Spring Checks, Lavatory Spout w/ 2.2 GPM Aerator & 1/2" NPT Male Inlets w/ Coupling Nuts

**Product Compliance:**  
 ASME A112.18.1 / CSA B125.1  
 NSF 61 - Section 9  
 NSF 372 (Low Lead Content)  
 ANSI A117.1 (ADA)