



T&S BRASS AND BRONZE WORKS, INC.
 2 Saddleback Cove / P.O. Box 1088
 Travelers Rest, SC 29690

Model No.
B-2360-04

Item No.

Travelers Rest, SC: 800-476-4103 • Simi Valley, CA: 800-423-0150 • Fax: 864-834-3518 • www.tsbrass.com



ADA Compliant

This Space for Architect/Engineer Approval

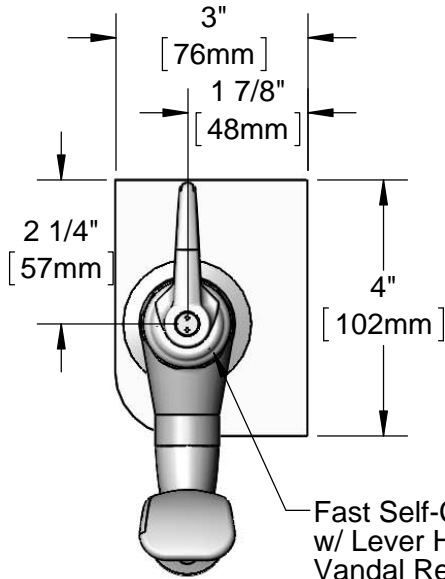
Job Name _____ Date _____

Model Specified _____ Quantity _____

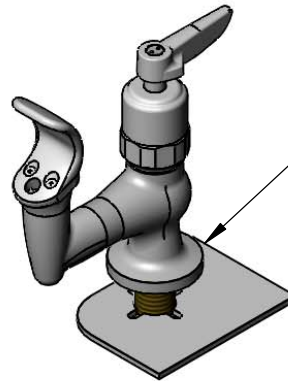
Customer/Wholesaler _____

Contractor _____

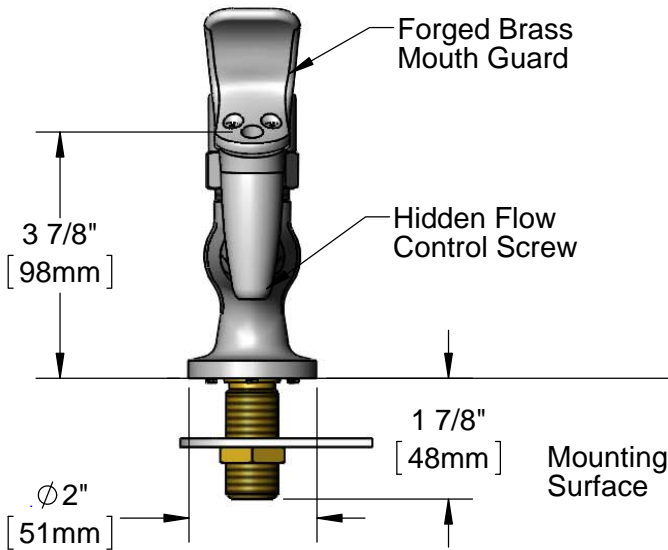
Architect/Engineer _____



Fast Self-Closing Cartridge w/ Lever Handle & Vandal Resistant Screw (Spanner Bit Included)



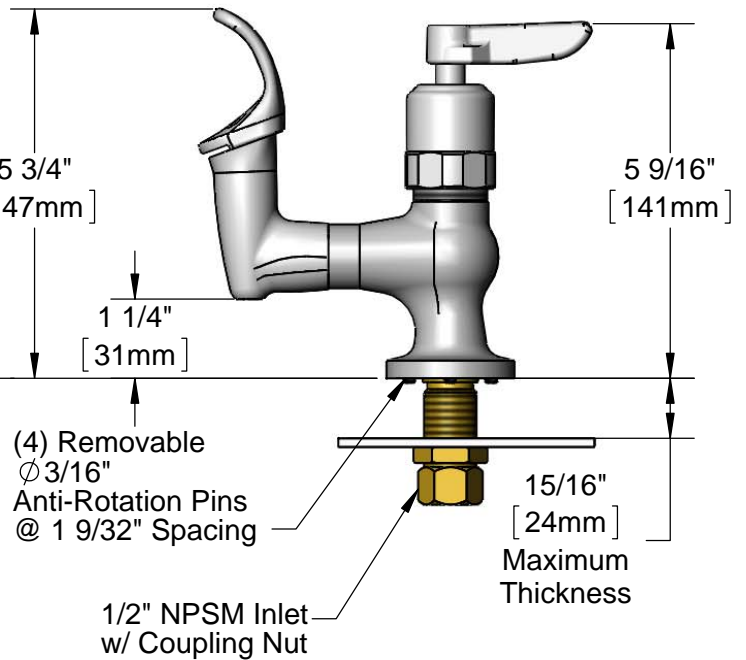
Stainless Steel Backing Plate. Notches Align w/ (4) Anti-Rotation Pins



Forged Brass Mouth Guard

Hidden Flow Control Screw

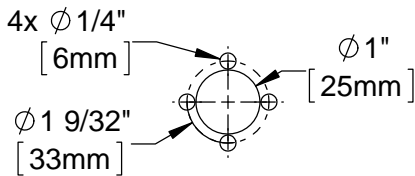
Mounting Surface



(4) Removable $\phi 3/16$ " Anti-Rotation Pins @ $1 9/32$ " Spacing

1/2" NPSM Inlet w/ Coupling Nut

15/16" [24mm] Maximum Thickness



Mounting Hole Details

Product Specifications:
 Bubbler w/ Fast Self-Closing Cartridge, Lever Handle, Forged Brass Mouth Guard, Stainless Steel Backing Plate & 1/2" NPSM Inlet w/ Coupling Nut

Product Compliance:
 ASME A112.18.1 / CSA B125.1
 NSF 61 - Section 9
 NSF 372 (Low Lead Content)
 ANSI A117.1 (ADA)

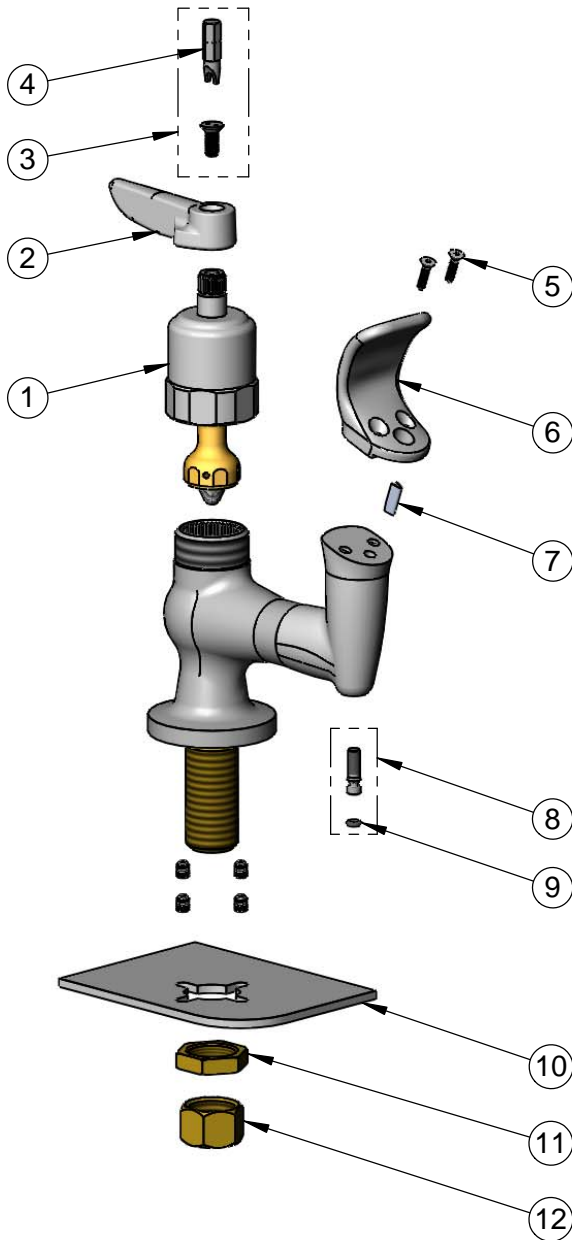


T&S BRASS AND BRONZE WORKS, INC.
 2 Saddleback Cove / P.O. Box 1088
 Travelers Rest, SC 29690

Model No.
B-2360-04

Item No.

Travelers Rest, SC: 800-476-4103 • Simi Valley, CA: 800-423-0150 • Fax: 864-834-3518 • www.tsbrass.com



ITEM NO.	SALES NO.	DESCRIPTION
1	015317-40	Fast Self-Close Cartridge
2	001638-45	Lever Handle
3	VRS-1	VR Screw w/ Spanner Bit
4	014075-45	#10 Spanner Bit
5	009598-45	Mouth Guard Screw
6	011299-40	Forged Brass Mouth Guard
7	009594-45	Flow Straightener
8	012697-45	Flow Control Screw
9	015319-45	O-Ring
10	013355-45	Stainless Steel Backing Plate
11	002954-45	Shank Lock Nut
12	000958-20	Coupling Nut

Product Specifications:
 Bubbler w/ Fast Self-Closing Cartridge, Lever Handle,
 Forged Brass Mouth Guard, Stainless Steel Backing Plate &
 1/2" NPSM Inlet w/ Coupling Nut

Product Compliance:
 ASME A112.18.1 / CSA B125.1
 NSF 61 - Section 9
 NSF 372 (Low Lead Content)
 ANSI A117.1 (ADA)