



T&S BRASS AND BRONZE WORKS, INC.

2 Saddleback Cove / P.O. Box 1088
Travelers Rest, SC 29690

Model No.

B-2347

Item No.

Travelers Rest, SC: 800-476-4103 • Simi Valley, CA: 800-423-0150 • Fax: 864-834-3518 • www.tsbrass.com

This Space for Architect/Engineer Approval

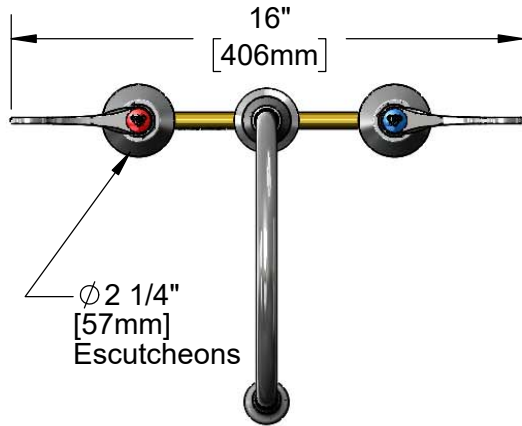
Job Name _____ Date _____

Model Specified _____ Quantity _____

Customer/Wholesaler _____

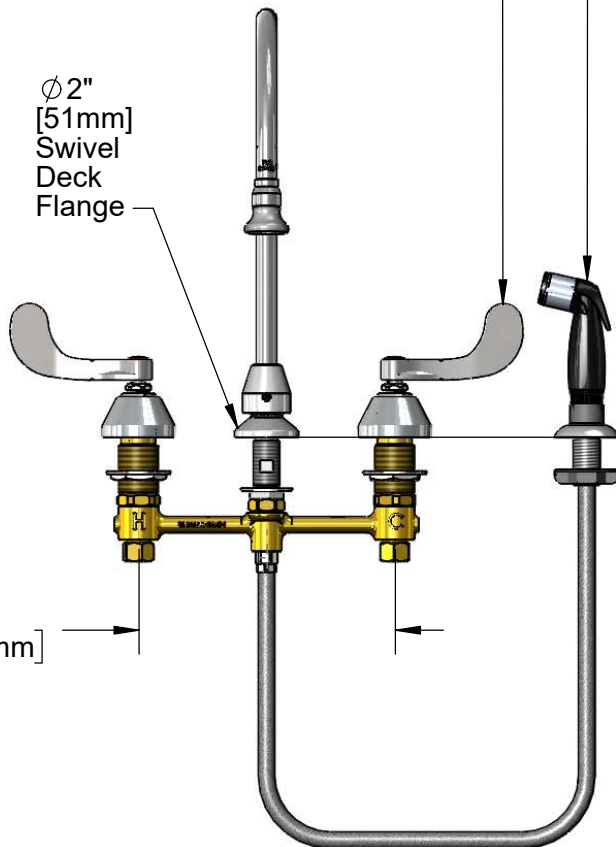
Contractor _____

Architect/Engineer _____



Ø 2 1/4"
[57mm]
Escutcheons

Quarter-Turn
Eterna Cartridges w/
Spring Checks &
4" Wrist Action Handles
w/ Color Coded Indexes



Ø 2"
[51mm]
Swivel
Deck
Flange

8"
[203mm]

Swivel Gooseneck w/
B-0103
2.2 GPM Rosespray Outlet

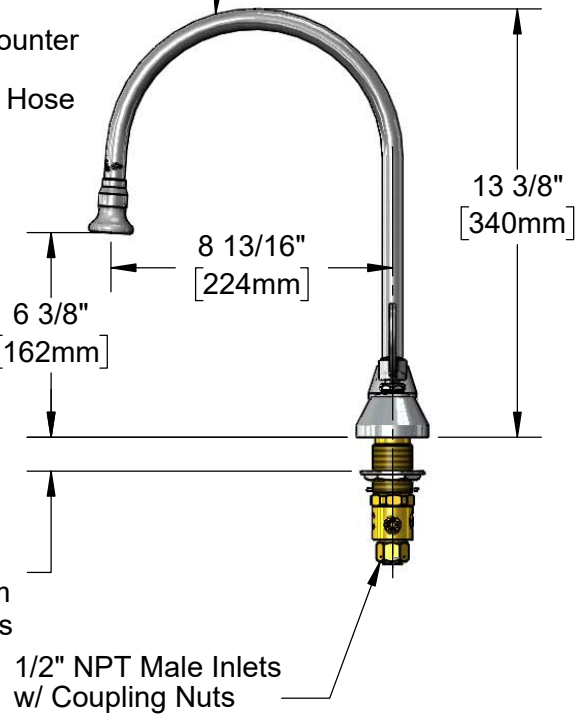
Black & Chrome
Sidespray
w/ Automatic
Diverter &
4' Under Counter
Flexible
Reinforced Hose



ADA Compliant

Mounting
Surface

1"
[26mm]
Maximum
Thickness



6 3/8"
[162mm]

8 13/16"
[224mm]

13 3/8"
[340mm]

1/2" NPT Male Inlets
w/ Coupling Nuts

Rough-In Requirement:
Ø 1" [25mm] for Center Shank
Ø 1 1/2" [38mm] for Hot/Cold Side

Product Specifications:

8" Concealed Widespread EasyInstall Mixing Faucet, 4' Sidespray, Quarter-Turn Eterna Cartridges w/ Spring Checks, 4" Wrist Action Handles, Swivel Gooseneck w/ 2.2 GPM Rosespray Outlet & 1/2" NPT Male Inlets w/ Coupling Nuts

Product Compliance:

ASME A112.18.1 / CSA B125.1
NSF 61 - Section 9
NSF 372 (Low Lead Content)
ANSI A117.1 (ADA)



T&S BRASS AND BRONZE WORKS, INC.

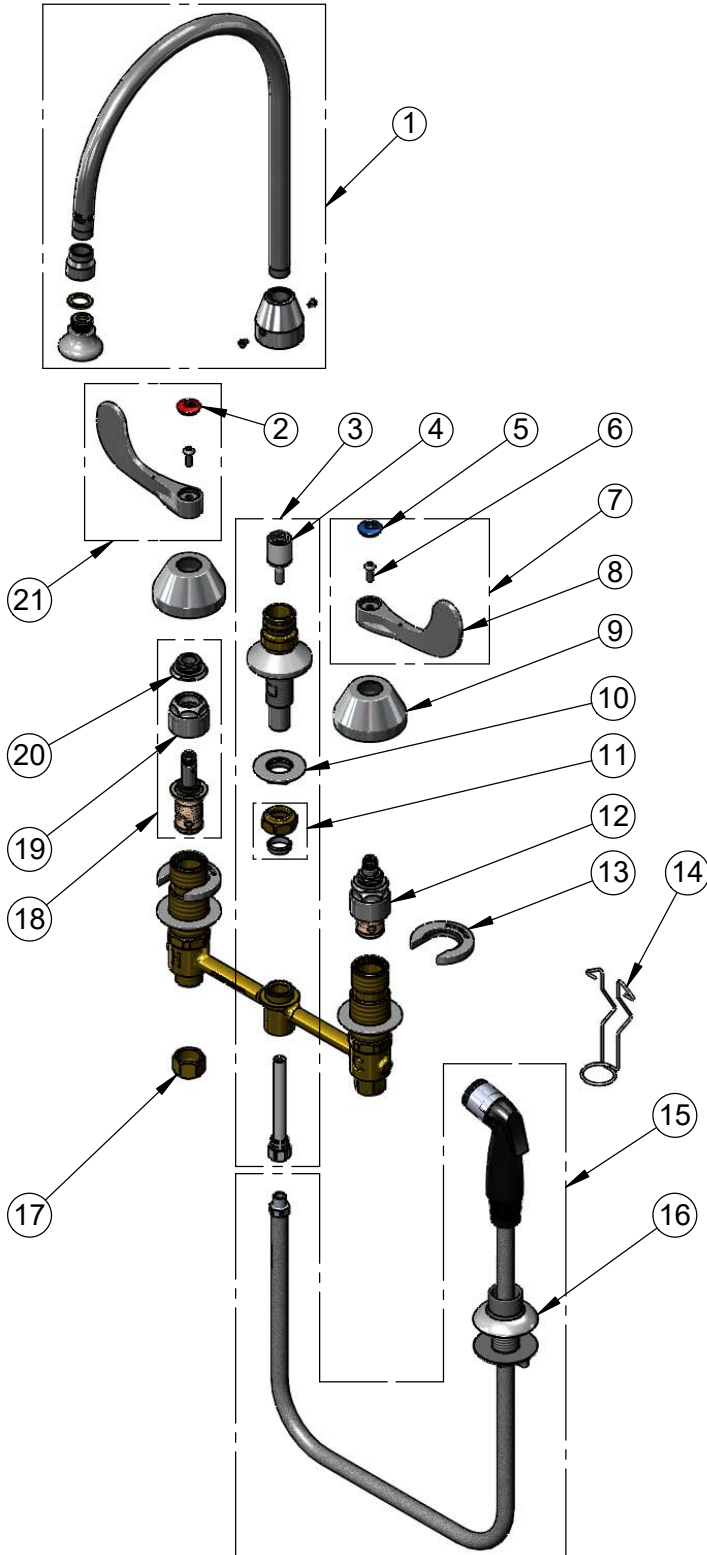
2 Saddleback Cove / P.O. Box 1088
Travelers Rest, SC 29690

Model No.

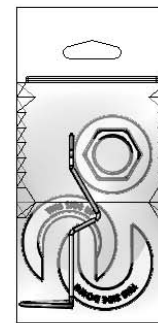
B-2347

Item No.

Travelers Rest, SC: 800-476-4103 • Simi Valley, CA: 800-423-0150 • Fax: 864-834-3518 • www.tsbrass.com



ITEM NO.	SALES NO.	DESCRIPTION
1	009436-40	Gooseneck w/ 2.2 GPM Rosespray
2	001193-19NS	Red Button Index, Press-in
3	017208-40NS	Center Body Diverter
4	002338-45	Diverter
5	018506-19NS	Blue Button Index, Press-in
6	000925-45	Lab Handle Screw
7	B-WH4C-NS	Wrist Action Handle, Blue Index & Screw
8	B-WH4-NS	Wrist Action Handle (New Style)
9	001257-40NS	Bell Escutcheon
10	016742-45	Center Flange Nut
11	016745-45	Compression Nut & Fitting
12	016752-40NS	EasyInstall, CWS Quarter-Turn Eterna Cartridge w/ Spring Check, LTC
13	016749-45	C-Washer
14	016777-45	CWS Hanger
15	001495-45	4' Side Spray w/ Hose Guide
16	001496-45	Hose Guide
17	000958-20	Coupling Nut
18	016753-40NS	EasyInstall, CWS Quarter-Turn Eterna Cartridge w/ Spring Check, RTC
19	016743-25	CWS Eterna Bonnet
20	009002-40NS	Packing (New Style)
21	B-WH4H-NS	Wrist Action Handle, Red Index & Screw



017245-40
Installation Repair Kit
Includes #11, (2)#13, & #14

Product Specifications:

8" Concealed Widespread EasyInstall Mixing Faucet, 4' Sidespray, Quarter-Turn Eterna Cartridges w/ Spring Checks, 4" Wrist Action Handles, Swivel Gooseneck w/ 2.2 GPM Rosespray Outlet & 1/2" NPT Male Inlets w/ Coupling Nuts

Product Compliance:

ASME A112.18.1 / CSA B125.1
NSF 61 - Section 9
NSF 372 (Low Lead Content)
ANSI A117.1 (ADA)