



T&S BRASS AND BRONZE WORKS, INC.

2 Saddleback Cove / P.O. Box 1088
Travelers Rest, SC 29690

Model No.

B-0597-CR

Item No.

Travelers Rest, SC: 800-476-4103 • Simi Valley, CA: 800-423-0150 • Fax: 864-834-3518 • www.tsbrass.com

This Space for Architect/Engineer Approval

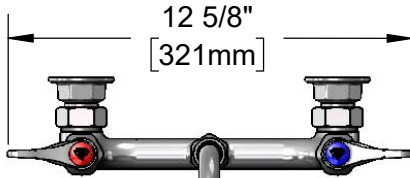
Job Name _____ Date _____

Model Specified _____ Quantity _____

Customer/Wholesaler _____

Contractor _____

Architect/Engineer _____

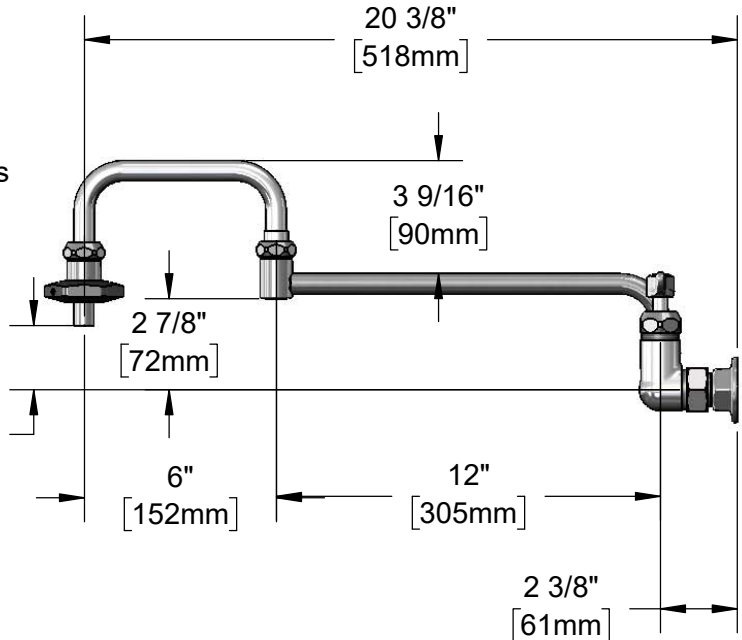
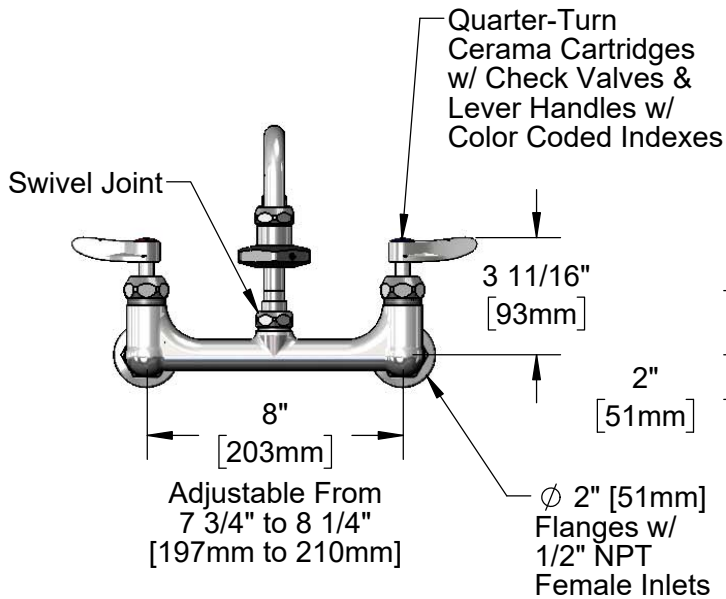
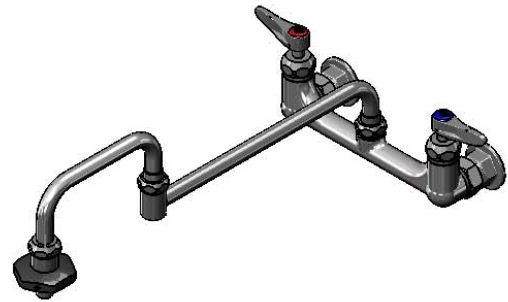


12 5/8"
[321mm]

18" Double Joint
Swing Nozzle
w/ Heat Resistant Handle
Converts to Rigid w/
014200-45
Lock Washer (Included).

Swivel Joint

Heat Resistant
"On-Off" Handle



Product Specifications:

8" Wall Mount Mixing Faucet, Quarter-Turn Cerama Cartridges w/ Check Valves, Lever Handles, 18" Double Joint Swing Nozzle w/ Heat Resistant Handle & 1/2" NPT Female Inlet Wall Flanges

Product Compliance:

ASME A112.18.1 / CSA B125.1
NSF 61 - Section 9
NSF 372 (Low Lead Content)



T&S BRASS AND BRONZE WORKS, INC.

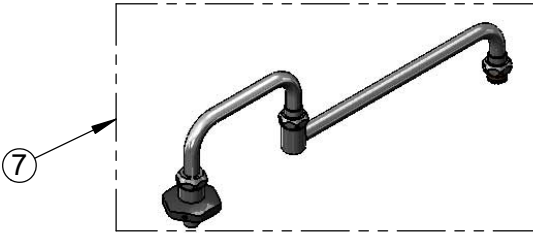
2 Saddleback Cove / P.O. Box 1088
Travelers Rest, SC 29690

Model No.

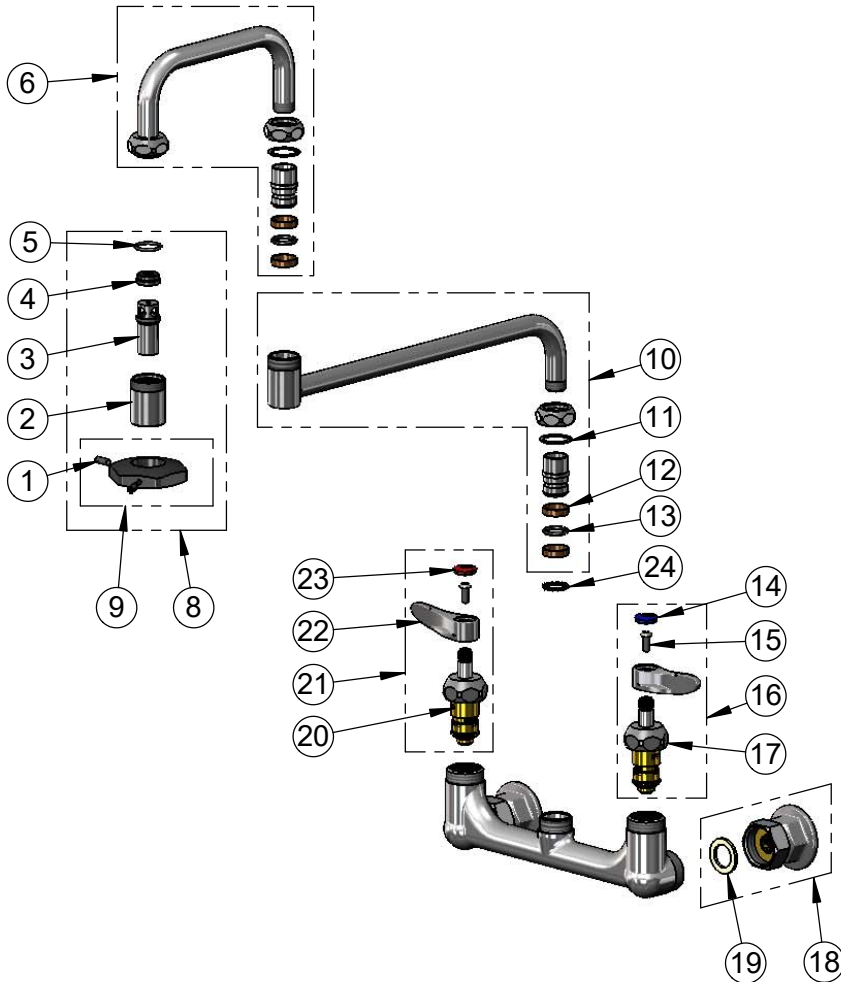
B-0597-CR

Item No.

Travelers Rest, SC: 800-476-4103 • Simi Valley, CA: 800-423-0150 • Fax: 864-834-3518 • www.tsbrass.com



Additional View for Bill of Material Clarification w/o Faucet



ITEM NO.	SALES NO.	DESCRIPTION
1	000936-45	Handle Set Screw
2	000587-25	Spout Body
3	001498-25	Spout
4	001089-45	Seal
5	003426-45	O-Ring
6	002870-40	6" Front Section
7	002848-40	18" Double Joint Nozzle w/ Heat Resistant Handle
8	035A	Outlet w/ Black Heat-Resistant Handle
9	001126-20	Handle w/ (2) Set Screws
10	002871-40	12" Back Section
11	009538-45	Swivel Washer
12	011429-45	Swivel Sleeves (2)
13	001074-45	O-Ring
14	018506-19NS	Blue Button Index, Press-in
15	000925-45	Lab Handle Screw
16	012447-25NS	Quarter-Turn Cerama Cartridge w/ Check Valve, Handle, Blue Index & Screw, LTC
17	012395-25NS	Quarter-Turn Cerama Cartridge w/ Check Valve, LTC
18	00AA	1/2" NPT Female Eccentric Flange
19	001019-45	Coupling Nut Washer
20	012394-25NS	Quarter-Turn Cerama Cartridge w/ Check Valve, RTC
21	012446-25NS	Quarter-Turn Cerama Cartridge w/ Check Valve, Handle, Blue Index & Screw, RTC
22	001638-45NS	Lever Handle (New Style)
23	001193-19NS	Red Button Index, Press-in
24	014200-45	Star Washer, Anti-Rotation

Product Specifications:

8" Wall Mount Mixing Faucet, Quarter-Turn Cerama Cartridges w/ Check Valves, Lever Handles, 18" Double Joint Swing Nozzle w/ Heat Resistant Handle & 1/2" NPT Female Inlet Wall Flanges

Product Compliance:

ASME A112.18.1 / CSA B125.1
NSF 61 - Section 9
NSF 372 (Low Lead Content)