



# T&S BRASS AND BRONZE WORKS, INC.

2 Saddleback Cove / P.O. Box 1088  
Travelers Rest, SC 29690

Model No.

**B-0519**

Item No.

Travelers Rest, SC: 800-476-4103 • Simi Valley, CA: 800-423-0150 • Fax: 864-834-3518 • www.tsbrass.com

This Space for Architect/Engineer Approval

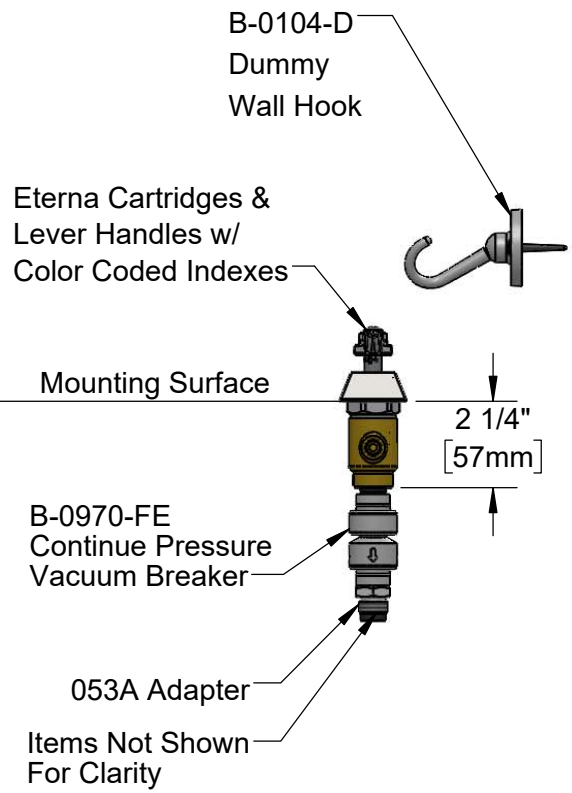
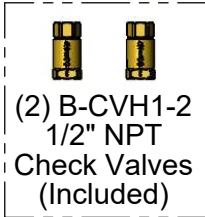
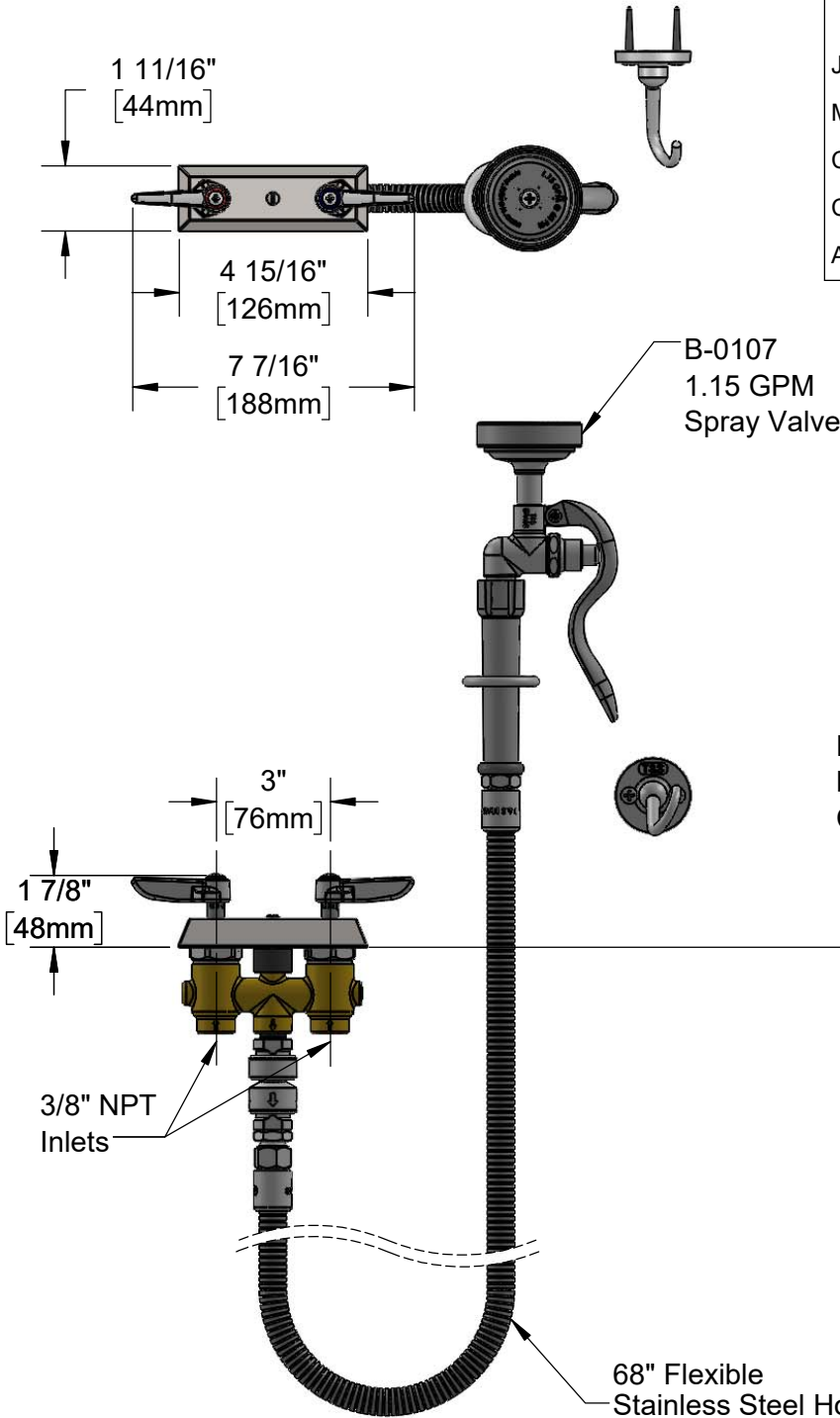
Job Name \_\_\_\_\_ Date \_\_\_\_\_

Model Specified \_\_\_\_\_ Quantity \_\_\_\_\_

Customer/Wholesaler \_\_\_\_\_

Contractor \_\_\_\_\_

Architect/Engineer \_\_\_\_\_



**Rough-In Requirement:**  
(2)  $\phi$  1 9/16" [40mm] Mounting Holes  
 $\phi$  1/4" [6mm] Center Mounting Screw

**Product Specifications:**

3" Deck Mount Workboard Concealed Mixing Faucet, Lever Handles, Quarter-Turn Eterna Cartridges w/ Spring Checks, Wall Hook, 1.15 GPM Spray Valve, 68" Flexible Stainless Steel Hose, 3/8" NPT Vacuum Breaker, 3/8" NPT Male Inlets & 1/2" NPT Check Valves

**Product Compliance:**

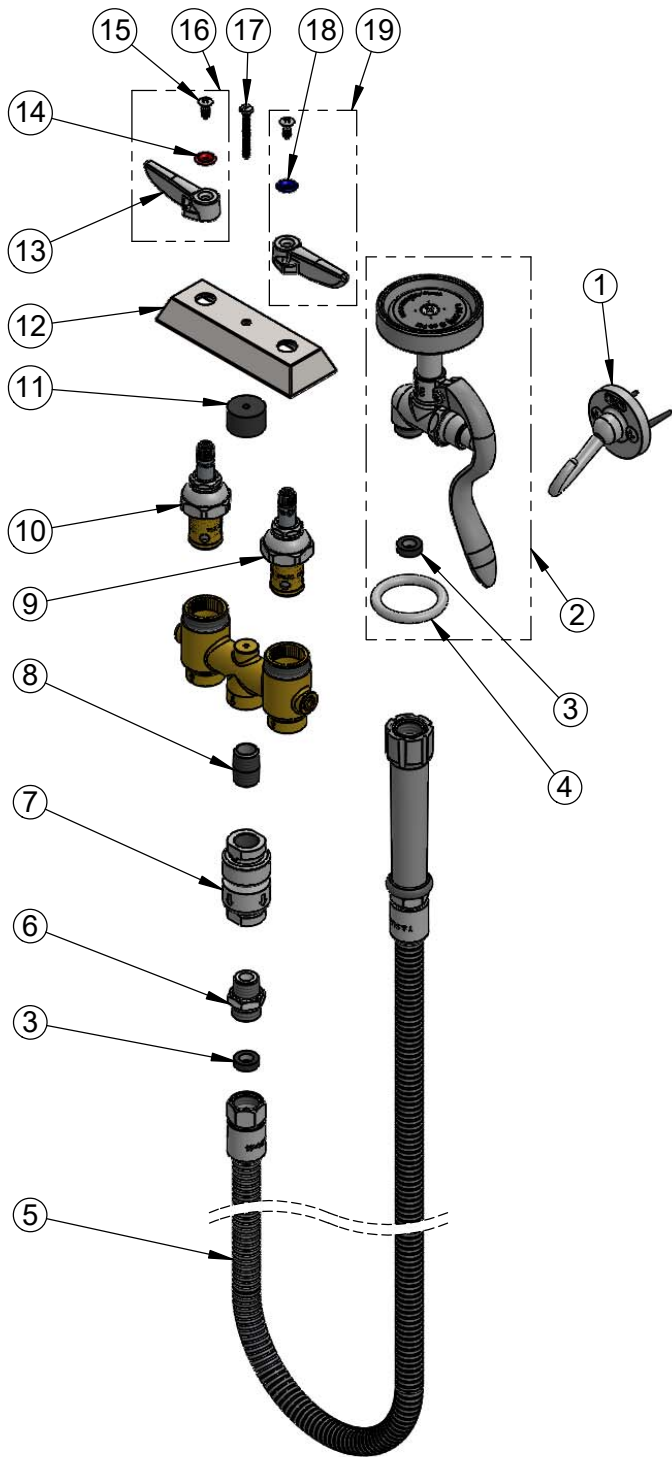
ASME A112.18.1 / CSA B125.1  
NSF 61 - Section 9  
NSF 372 (Low Lead Content)  
2019 DOE PRSV - Class II  
CSA B64.8 (VB)



**T&S BRASS AND BRONZE WORKS, INC.**  
 2 Saddleback Cove / P.O. Box 1088  
 Travelers Rest, SC 29690

Model No.  
**B-0519**  
 Item No.

Travelers Rest, SC: 800-476-4103 • Simi Valley, CA: 800-423-0150 • Fax: 864-834-3518 • www.tsbrass.com



ITEM NO.	SALES NO.	DESCRIPTION
1	B-0104-D	Dummy Wall Hook
2	B-0107	1.15 GPM Spray Valve
3	010476-45	#27 Washer
4	000907-45	Spray Valve Hold Down Ring
5	B-0068-H	
6	053A	Adapter, 3/8" NPT Male
7	B-0970-FE	3/8" NPT Vacuum Breaker
8	002535-25	3/8" Close Nipple
9	006021-40	Eterna Cartridge, LTC
10	006020-40	Eterna Cartridge, RTC
11	015986-45	Spacer
12	000020-40	Escutcheon
13	001638-45	Lever Handle
14	001661-45	Red Index-HW
15	000922-45	Lever Handle Screw
16	001636-45	Lever Handle w/ Blue Index & Screw
17	002819-45	Screw
18	001660-45	Blue Index-CW
19	001637-45	Lever Handle w/ Red Index & Screw



**B-CVH1-2**  
 1/2" NPT Check Valve

**Product Specifications:**  
 3" Deck Mount Workboard Concealed Mixing Faucet, Lever Handles, Quarter-Turn Eterna Cartridges w/ Spring Checks, Wall Hook, 1.15 GPM Spray Valve, 68" Flexible Stainless Steel Hose, 3/8" NPT Vacuum Breaker, 3/8" NPT Male Inlets & 1/2" NPT Check Valves

**Product Compliance:**  
 ASME A112.18.1 / CSA B125.1  
 NSF 61 - Section 9  
 NSF 372 (Low Lead Content)  
 2019 DOE PRSV - Class II  
 CSA B64.8 (VB)