



T&S BRASS AND BRONZE WORKS, INC.
 2 Saddleback Cove / P.O. Box 1088
 Travelers Rest, SC 29690

Model No.
B-0113-CR-BVB-A

Item No.

Travelers Rest, SC: 800-476-4103 • Simi Valley, CA: 800-423-0150 • Fax: 864-834-3518 • www.tsbrass.com

This Space for Architect/Engineer Approval

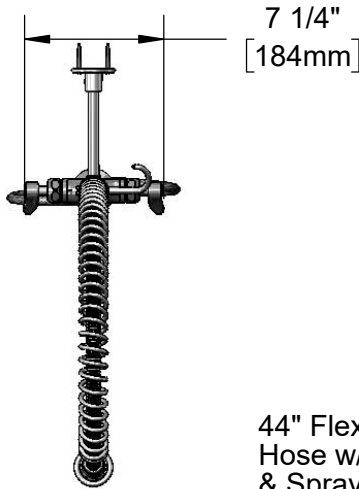
Job Name _____ Date _____

Model Specified _____ Quantity _____

Customer/Wholesaler _____

Contractor _____

Architect/Engineer _____



44" Flexible Stainless Steel
 Hose w/ Overhead Spring
 & Spray Valve

Items Not Shown
 For Clarity

Finger Hook

3/8" NPT x 24" Riser

B-0107-A
 Spray Valve w/
 2.2 GPM Aerator

14 1/16"
 [356mm]

B-0109-01
 6" Wall
 Bracket 45 9/16"
 [1157mm]

16 7/16"
 [418mm]

B-0970-FEZ
 Vacuum
 Breaker

2 5/16"
 [58mm]

Quarter-Turn Cerama Cartridges
 w/ Check Valves & Lever Handles
 w/ Color Coded Indexes

Ø 2 1/4"
 [57mm]

18" Flexible Stainless Steel
 Supply Hoses

1 1/4"
 [32mm]
 Maximum
 Thickness

Compression Fittings for 5/8" O.D. Copper
 Tubing (Remove Compression Nut
 for 1/2" NPSM Male)

Rough-In Requirement:
 Ø 1 1/2" [Ø 38mm] Mounting Hole

Product Specifications:

Single Deck Mount Vertical Glass Filler, Quarter-Turn Cerama Cartridges w/ Check Valves, EasyInstall Vacuum Breaker, 24" Riser, 44" Flexible Stainless Steel Hose, Spray Valve w/ 2.2 GPM Aerator, 6" Wall Bracket & Flexible Stainless Steel Supply Hoses

Product Compliance:

ASME A112.18.1 / CSA B125.1
 NSF 61 - Section 9
 NSF 372 (Low Lead Content)
 EPA Act 2005 Non-Compliant (PRSV)
 CSA B64.8 (VB)
 Product Not Designed/Intended for
 Commercial Warewashing in North America

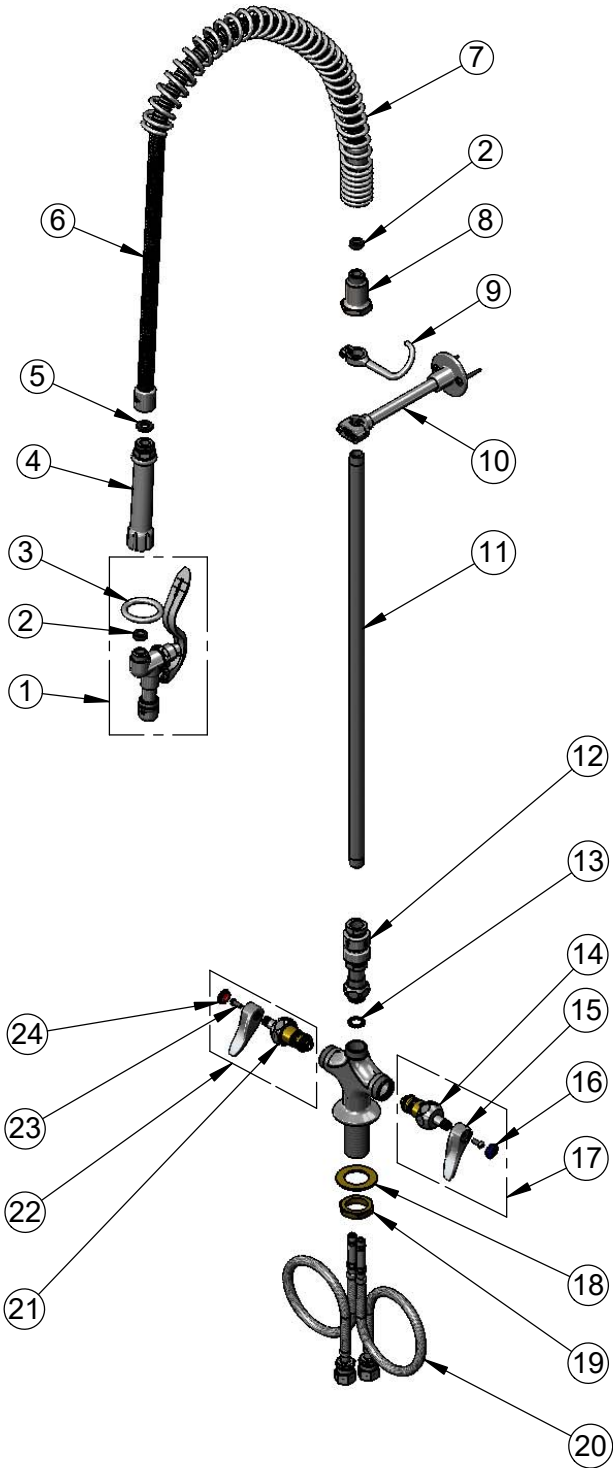


T&S BRASS AND BRONZE WORKS, INC.
 2 Saddleback Cove / P.O. Box 1088
 Travelers Rest, SC 29690

Model No.
B-0113-CR-BVB-A

Item No.

Travelers Rest, SC: 800-476-4103 • Simi Valley, CA: 800-423-0150 • Fax: 864-834-3518 • www.tsbrass.com



ITEM NO.	SALES NO.	DESCRIPTION
1	B-0107-A	Spray Valve w/ 2.2 GPM Aerator
2	010476-45	#27 Washer
3	000907-45	Spray Valve Hold Down Ring
4	002987-40	Grey Handle Grip
5	001014-45	Washer, B-0100 Hose Barrel
6	B-0044-H2A	44" Flexible Stainless Steel Hose, Less Handle
7	000888-45	EasyInstall Overhead Spring
8	000821-40	Spring Body
9	004R	Finger Hook
10	B-0109-01	6" Wall Bracket
11	000372-40	3/8" NPT x 24" Riser
12	B-0970-FEZ	EasyInstall Vacuum Breaker
13	014200-45	Star Washer, Anti-Rotation
14	012395-25NS	Quarter-Turn Cerama Cartridge w/ Check Valve, LTC
15	001638-45NS	Lever Handle (New Style)
16	018506-19NS	Blue Button Index, Press-in
17	012447-25NS	Quarter-Turn Cerama Cartridge w/ Check Valve, Handle, Blue Index & Screw, LTC
18	002290-45	Lock Washer
19	000965-45	Lock Nut
20	012534-45	18" Flexible Supply Hose (2)
21	012394-25NS	Quarter-Turn Cerama Cartridge w/ Check Valve, RTC
22	012446-25NS	Quarter-Turn Cerama Cartridge w/ Check Valve, Handle, Red Index & Screw, RTC
23	000925-45	Lab Handle Screw
24	001193-19NS	Red Button Index, Press-in

Product Specifications:
 Single Deck Mount Vertical Glass Filler, Quarter-Turn Cerama Cartridges w/ Check Valves, EasyInstall Vacuum Breaker, 24" Riser, 44" Flexible Stainless Steel Hose, Spray Valve w/ 2.2 GPM Aerator, 6" Wall Bracket & Flexible Stainless Steel Supply Hoses

Product Compliance:
 ASME A112.18.1 / CSA B125.1
 NSF 61 - Section 9
 NSF 372 (Low Lead Content)
 EPA Act 2005 Non-Compliant (PRSV)
 CSA B64.8 (VB)
 Product Not Designed/Intended for Commercial Warewashing in North America