



GUARD+®

50" x 38" shower base – FHA/ANSI-B
95078

Features

- FHA/ANSI-B: Meets dimensional requirements for ICC ANSI A117.1 section 1104.11.3.1.3.3 and the Fair Housing Act Design Manual.
- Low-threshold design for easy entry and exit.
- Water containment bead incorporated into threshold design provides an optimum barrier, preventing water from escaping from shower space.
- Single threshold for alcove installation.
- Molded-in textured floor.
- Center drain.
- Three-sided integral flange.

Material

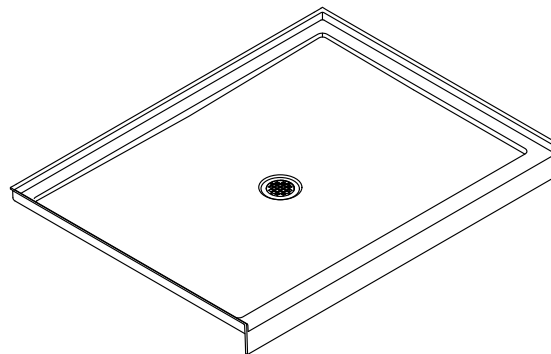
- Acrylic.

Installation

- Alcove.

Recommended Products/Accessories

K-9132 Shower Drain
K-23726 Drain treatment
K-23732 Tub & shower cleaner



Codes/Standards

CSA B45.5/IAPMO Z124
ASTM E162
ASTM E662

STERLING® Vikrell® or Acrylic Baths and Shower Bases Ten-Year Limited Warranty

See website for detailed warranty information.

Available Colors/Finishes

Color tiles intended for reference only.

Color Code Description

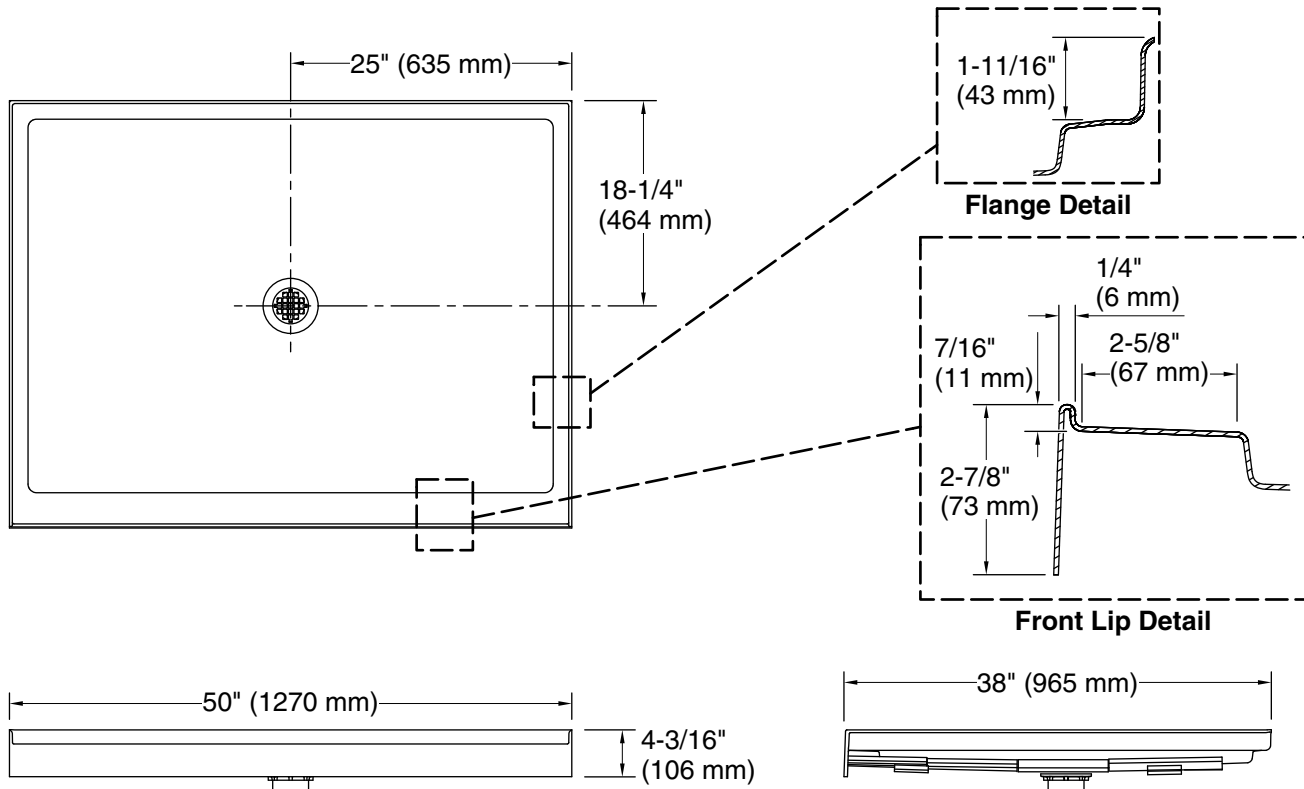
■ 0 White

1-800-STERLING (1-800-783-7546)

Kohler Co. reserves the right to make revisions without notice to product specifications.

For the most current Specification Sheet, go to www.sterlingplumbing.com.

5-29-2021 23:19 - US/CA



Technical Information

All product dimensions are nominal.

Installation: Three-wall alcove
 Drain location: Center
 Weight: 42.8 lbs (19.4 kg)

Notes

Install this product according to the installation instructions.
 Measure your actual product for rough-in details.
 Subfloor must be within 1/2" (13 mm) of level.
 This receptor has a front lip. This should be taken into account when installing a shower door.