



Traverse®

60" x 30" x 76-1/4" Vikrell® shower, right drain
72570120



Features

- Tongue-and-groove modular design allows for easy installation during any phase of construction
- Modern subway tile design
- Full-length shelf provides generous storage
- Easy-to-clean, durable high-gloss finish
- Innovative Dry-Block™ seal and channeled water containment system form watertight seams

Material

- Compression molded from our exclusive solid Vikrell® material

Installation

- Pro4™ installation system features a two-piece back wall design, enabling one-person handling and installation
- Alcove
- Right drain
- Caulk-free installation

Recommended Products/Accessories

- K-23733 Vikrell® cleaner
- 581075-59 Frameless sliding shower door
- 547808-59 Frameless sliding shower door
- 5475-59 Frameless sliding shower door
- 5970-59 Framed sliding shower door
- 5976-59 Framed sliding shower door
- 5960-59 Framed sliding shower door
- 5960-57 Framed sliding shower door

Included Components

- 72171120 60" x 30" Vikrell® shower base, right drain
- 72532100 60" x 72-1/4" Vikrell® shower back wall
- 72575100 30" x 72-1/4" Vikrell® shower end wall set



Codes/Standards

- CSA B45.5/IAPMO Z124
- ASTM E162
- ASTM E662
- HUD, UM Bulletin 73
- IAPMO Certification


STERLING® Vikrell® or Acrylic Baths and Shower Bases Ten-Year Limited Warranty

See website for detailed warranty information.

Available Colors/Finishes

Color tiles intended for reference only.

Color Code Description

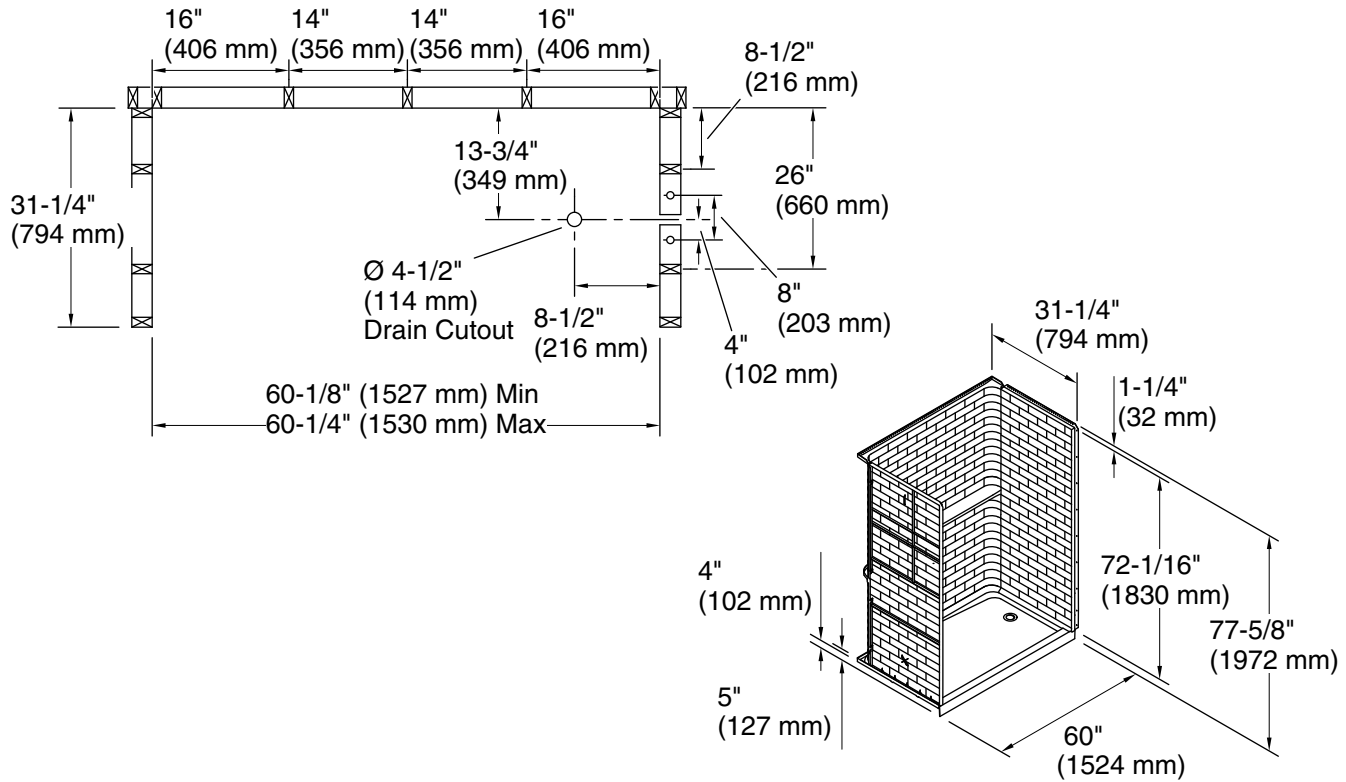
	0	White
---	---	-------

1-800-STERLING (1-800-783-7546)

Kohler Co. reserves the right to make revisions without notice to product specifications.

For the most current Specification Sheet, go to www.sterlingplumbing.com.

2-12-2024 20:31 - US



Technical Information

All product dimensions are nominal.

Drain location:	Right
Weight:	128 lbs (58.1 kg)
Minimum flat for door:	3" (77 mm)
Maximum door height:	72" (1829 mm)
Maximum door width:	56-9/16" (1437 mm)

Notes

Install this product according to the installation instructions.