



Features

- Alcove installation
- 3-1/8" threshold
- Solid Vikrell material
- Durable high-gloss finish
- Center drain
- Three-piece, tongue-and-groove walls with snap-together installation
- No caulk required
- Includes four rimmed shelves, two large bins, two shower hooks and two soap dishes with towel bars; shaving ledge/footrest

Recommended Products/Accessories

- 1500D-36 Framed Pivot Shower Door
- 1505D-36 Framed Pivot Shower Door
- 1507D-36 Framed Pivot Shower Door
- 1530D-36 Framed Pivot Shower Door
- 1535D-36 Framed Pivot Shower Door
- 6305-34 Frameless Pivot Shower Door
- 6506-33 Framed Pivot Shower Door
- 80001012 12" Grab Bar
- 80001018 18" Grab Bar
- 80001024 24" Grab Bar



Codes/Standards



- CSA B45.5/IAPMO Z124
- ASTM E162
- ASTM E662
- Greenguard UL 2818 - Gold
- HUD, UM Bulletin 73

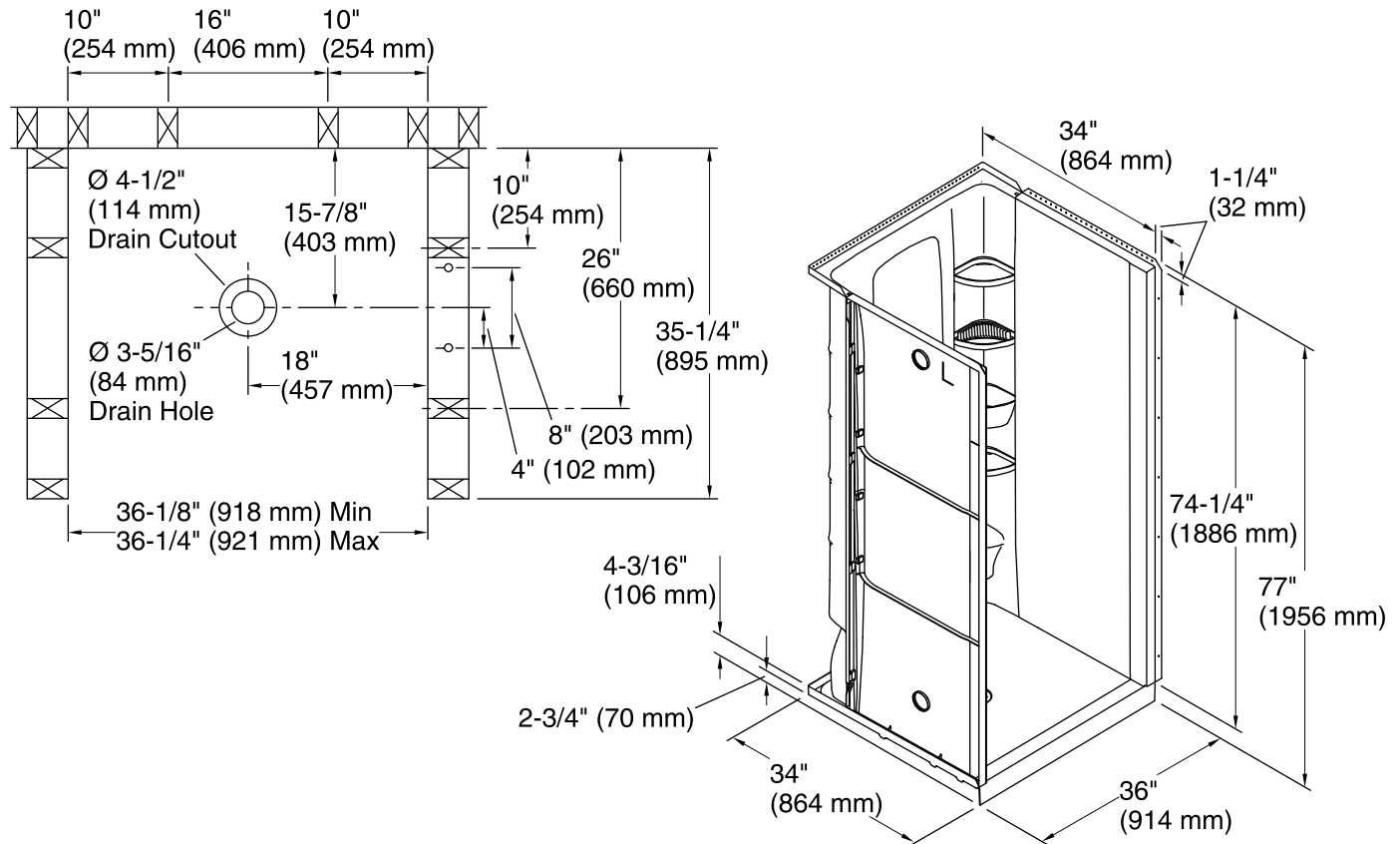
Warranty – Bathing Fixtures (and) Kitchen and Utility Sinks Made of Solid Vikrell® Material

See website for detailed warranty information.

Available Colors/Finishes

Color tiles intended for reference only.

Color	Code	Description
	0	White
	96	KOHLER Biscuit



Technical Information

All product dimensions are nominal.

Installation:	Three-wall alcove
Drain hole diameter:	3-5/16" (84 mm)
Basin area, bottom:	29-3/16" x 32-3/4" (742 mm x 832 mm)
Basin area, top:	29-3/16" x 32-3/4" (742 mm x 832 mm)
Weight:	92.4 lbs (41.9 kg)
Minimum flat for door:	2-1/2" (64 mm)
Threshold height:	3-1/8" (79 mm)
Maximum door height:	72-1/2" (1842 mm)
Maximum door width:	32-3/4" (832 mm)

Notes

- Install this product according to the installation instructions.
- Studs should be positioned roughly as shown.
- Double studding is recommended for pivot shower door installations.