



Features

- Alcove installation
- 16" apron
- Vikrell material
- Left drain
- Compatible with tile-down installation
- Compatible with Ensemble wall set (71114100 or 71114106)



ADA

Codes/Standards



- CSA B45.5/IAPMO Z124
- ASTM E162
- ASTM E662
- Greenguard UL 2818 - Gold
- ADA
- ICC/ANSI A117.1

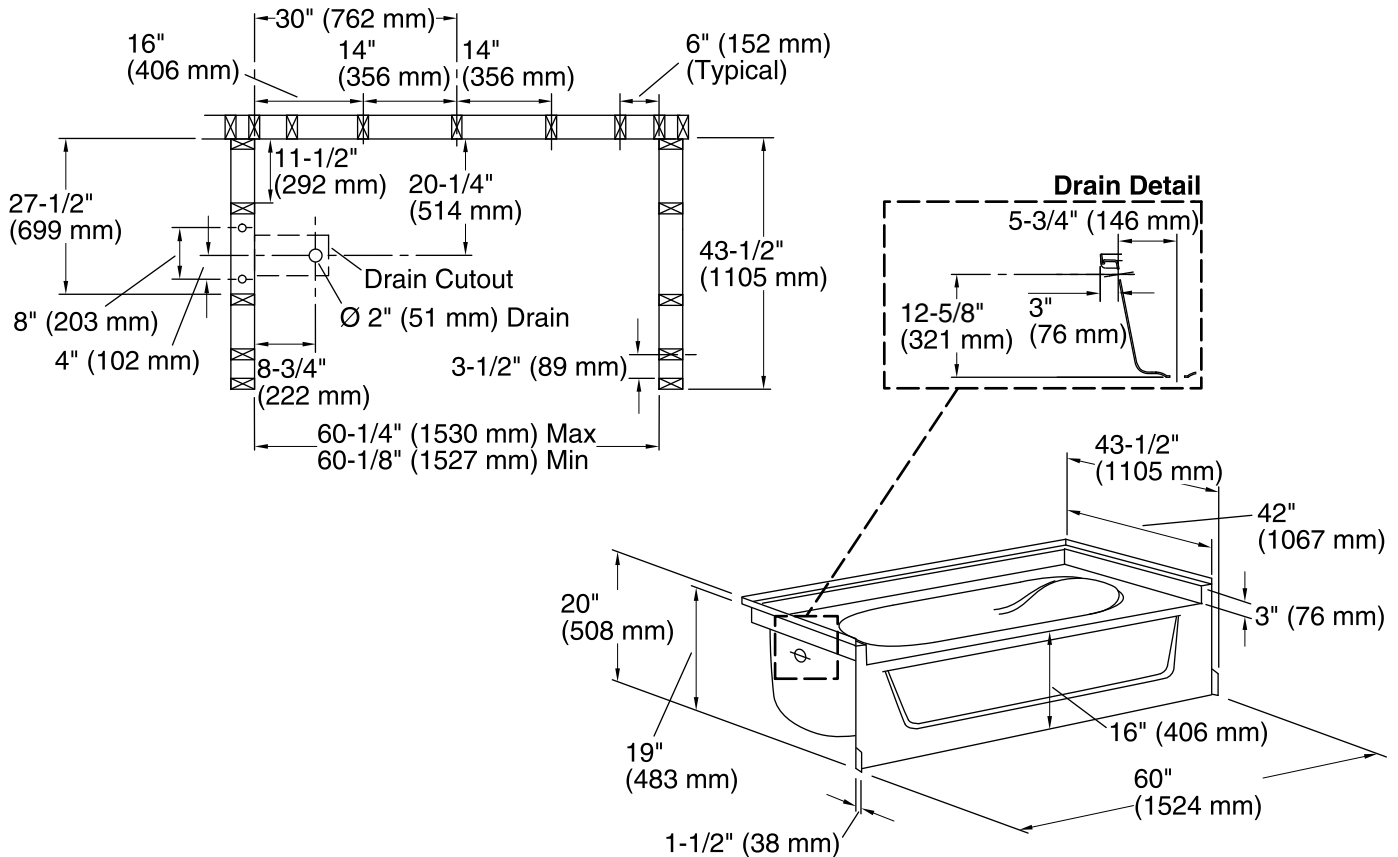
Warranty – Bathing Fixtures (and) Kitchen and Utility Sinks Made of Solid Vikrell® Material

See website for detailed warranty information.

Available Colors/Finishes

Color tiles intended for reference only.

Color	Code	Description
	0	White
	96	KOHLER Biscuit



Technical Information

All product dimensions are nominal.

Installation: Three-wall alcove

Drain location: Left

Basin area, bottom: 40" x 27" (1016 mm x 686 mm)

Basin area, top: 52" x 35" (1321 mm x 889 mm)

Water depth: 11" (279 mm)

Water capacity: 55 gal (208.2 L)

Minimum flat for door: 3-1/4" (83 mm)

Maximum door width: 58-1/2" (1486 mm)

Notes

Install this product according to the installation instructions.

Studs should be positioned roughly as shown.

Double studding is recommended for pivot shower door installations.

ADA compliant when installed to the specific requirements of these regulations.