



A KOHLER COMPANY

# Performa™

## 60" Bath/Shower w/Backer Boards 71040126



### Features

- Alcove installation
- 15" apron
- Solid Vikrell material
- Right drain
- Tongue-and-groove walls with snap-together installation
- High-gloss walls
- Full caulking required in all seams
- Acrylic towel bar
- Aging in Place backerboards

### Recommended Products/Accessories

- 500C-59 Framed Sliding Bath Door
- 690B-59 Framed Sliding Bath Door
- 5325EZ-57 Frameless Sliding Bath Door
- 5405-59 Frameless Sliding Bath Door
- 5900-57 Framed Sliding Bath Door
- 5900-59 Framed Sliding Bath Door
- 5905-57 Framed Sliding Bath Door
- 5905-59 Framed Sliding Bath Door
- 5906-59 Framed Sliding Bath Door
- 5907-59 Framed Sliding Bath Door
- 542808-59 frameless sliding bath door
- 572005-59 Framed Sliding Bath Door
- 581005-59 frameless sliding bath door
- 80001012 12" Grab Bar
- 80001018 18" Grab Bar
- 80001024 24" Grab Bar
- 80011032 32" Grab Bar
- 80001036 36" Grab Bar
- VA-80172 Window Trim Kit

### Included Components

- Product consists of:
- 71044106 60" Bath/Shower Wall Set w/Backer Boards
  - 71041120 60" Bath



### Codes/Standards



- CSA B45.5/IAPMO Z124
- ASTM E162
- ASTM E662
- Greenguard UL 2818 - Gold
- HUD, UM Bulletin 73

### Warranty – Bathing Fixtures (and) Kitchen and Utility Sinks Made of Solid Vikrell® Material

See website for detailed warranty information.

### Available Colors/Finishes

*Color tiles intended for reference only.*

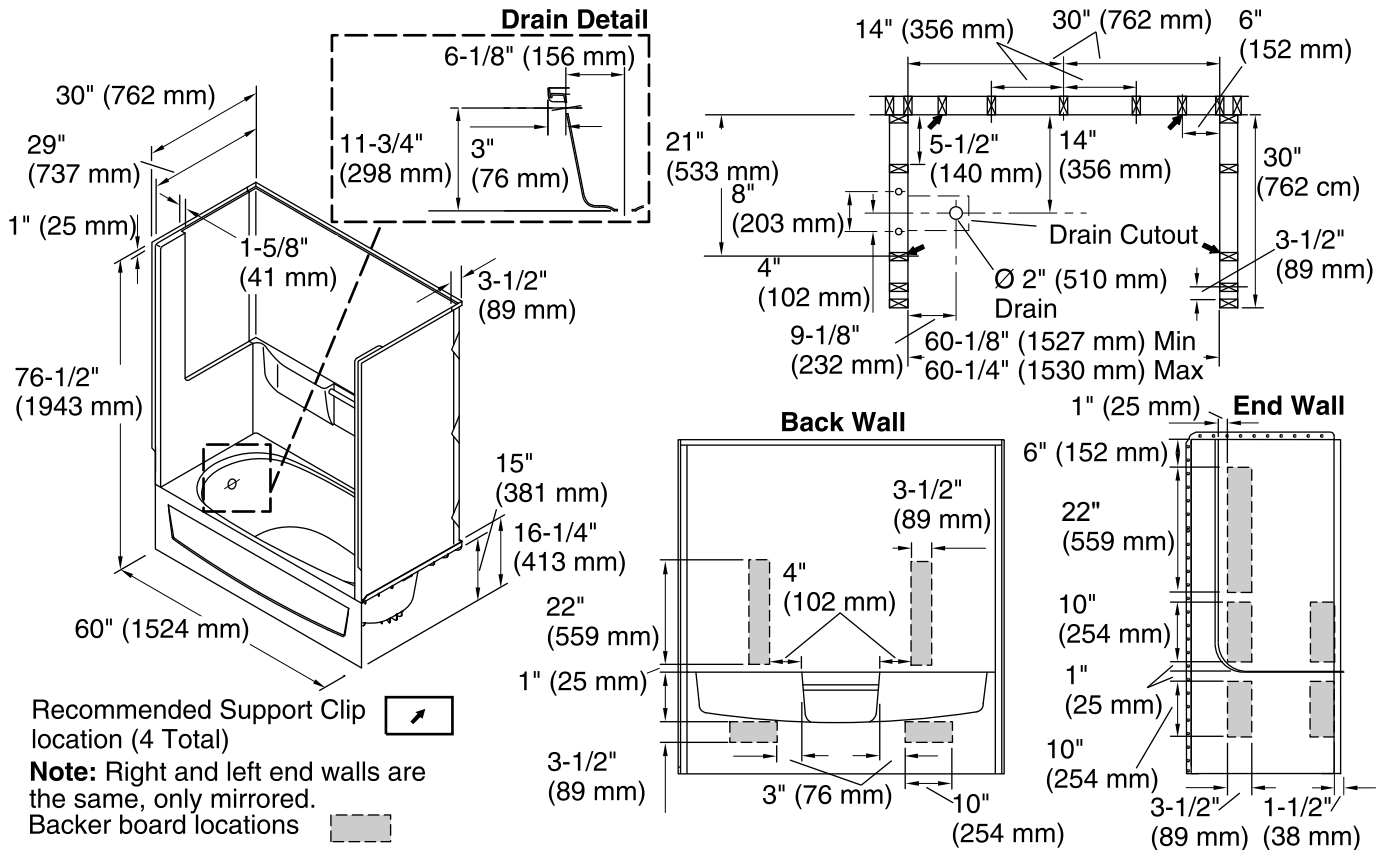
Color	Code	Description
	0	White
	96	KOHLER Biscuit

1-800-STERLING (1-800-783-7546)

Kohler Co. reserves the right to make revisions without notice to product specifications.

For the most current Specification Sheet, go to [www.sterlingplumbing.com](http://www.sterlingplumbing.com).

4-26-2019 00:10 - US



### Technical Information

All product dimensions are nominal.

Installation:	Three-wall alcove
Drain location:	Right
Basin area, bottom:	21" x 39" (533 mm x 991 mm)
Basin area, top:	24" x 53" (610 mm x 1346 mm)
Water depth:	10-1/4" (260 mm)
Water capacity:	35 gal (132.5 L)
Minimum flat for door:	1-3/4" (44 mm)
Maximum door height:	59-1/2" (1511 mm)
Maximum door width:	56-3/4" (1441 mm)

### Notes

Install this product according to the installation instructions.

Studs should be positioned as shown.

Double studding is recommended for pivot shower door installations.

Attach grab bars at the specified backerboard locations only.