



OC-S-63

63" ADA Shower w/Backer Boards

62070106



Features

- Alcove installation
- 1/2" threshold
- Solid Vikrell material
- Durable swirl-gloss finish
- Center drain
- Three-piece, tongue-and-groove walls with snap-together installation
- Caulk required
- Aging in Place backerboards

Included Components

Product consists of:

- 62055106 39" Shower End Wall Set w/Backer Boards
- 62061100 63" Shower Base
- 62062106 63" Shower Back Wall w/Backer Boards



ADA

Codes/Standards



- CSA B45.5/IAPMO Z124
- ASTM E162
- ASTM E662
- Greenguard UL 2818 - Gold
- ADA

Warranty – Bathing Fixtures (and) Kitchen and Utility Sinks Made of Solid Vikrell® Material

See website for detailed warranty information.

Available Colors/Finishes

Color tiles intended for reference only.

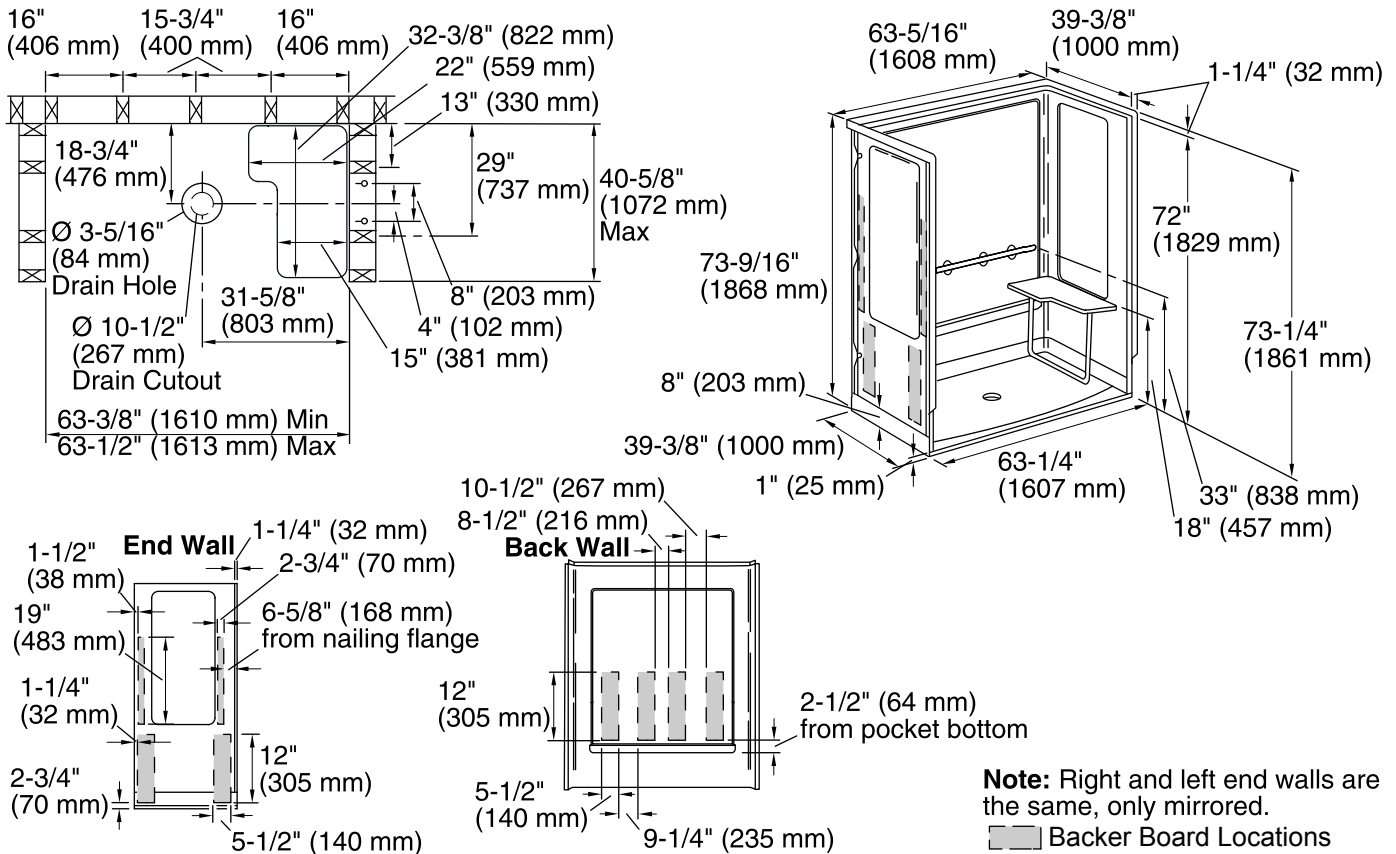
Color	Code	Description
	0	White
	96	KOHLER Biscuit

1-800-STERLING (1-800-783-7546)

Kohler Co. reserves the right to make revisions without notice to product specifications.

For the most current Specification Sheet, go to www.sterlingplumbing.com.

4-25-2019 23:25 - US



Technical Information

All product dimensions are nominal.

Installation: Three-wall alcove

Drain location: Center

Minimum flat for door: 2-1/2" (64 mm)

Threshold height: 1/2" (13 mm)

Notes

Install this product according to the installation instructions.

Drain cutout in subfloor to be 10-1/2" (267 mm) per rough-in illustration as shown to allow the backside of the drain to sit below the subflow surface.

Backerboards and fasteners protrude beyond the back wall 1-1/2" (38 mm). If installing this product against wall board, 1-1/2" (38 mm) furring strips installed over the wall board are recommended. The stud pocket depth of 40-5/8" (1032 mm) will need to be increased by the combined thickness of the wall board and furring strips.

Studs should be positioned as shown.

Attach grab bars at the specified backerboard locations only.

ADA compliant when installed to the specific requirements of these regulations.