

Echo™ Single Lever Faucet

MODELS:

- ❑ SB-2111-E: 1.2 gpm (4.5 L/min) flow rate, with drain
- ❑ SB-2111-LD-BO: 0.5 gpm (1.9 L/min) flow rate, less drain

FEATURES:

- Lead-free brass construction
- Sculpted lever handle
- 1.2 gpm (4.5 L/min) flow rate
- Ceramic cartridge

COMPLIANCE:

- ASME A112.18.1/CSA B125.1 certified
- NSF 61 certified
- WaterSense Certified (SB-2111-E only)
- NSF 372 Compliant
- Meets ADA



FINISH:



PC BN (SB-2111-E only)

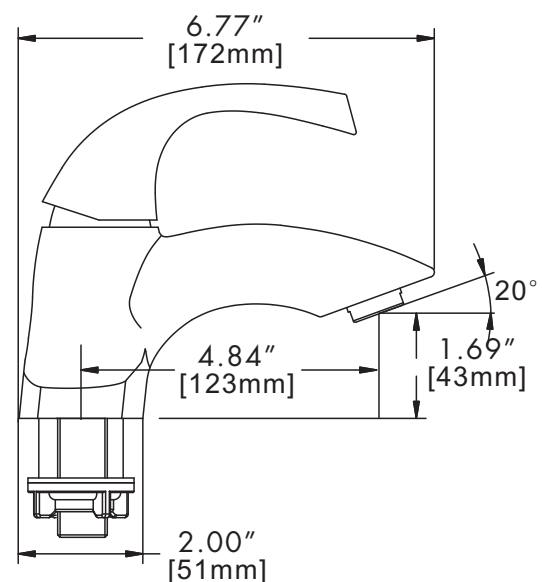
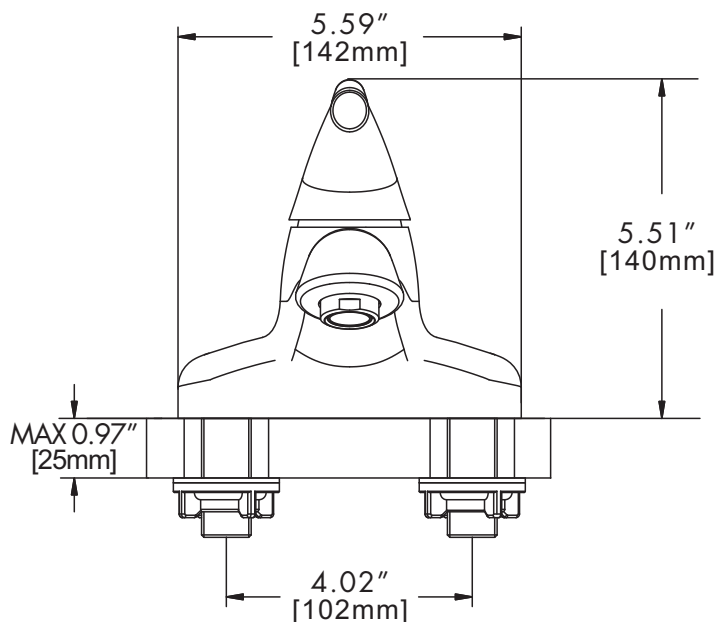
OPTIONS: Add suffix to model

- Less drain (SB-2111-E only) -LD

WARRANTY:

- Limited Lifetime Warranty (SB-2111-E consumer use)
- 1 Year Limited (SB-2111-E commercial use)
- 5 Year Limited (SB-2111-LD-BO)

DIMENSIONS: NOTE: 1. All dimensions are in inches (millimeters) unless otherwise specified and are subject to change without notice.



Architect/Engineer Approval Space:

SPEAKMAN
400 ANCHOR MILL ROAD
NEW CASTLE, DE 19720

P: 800-537-2107
F: 800-977-2747
W: WWW.SPEAKMAN.COM
R: NOVEMBER 2017