

Lifesaver® Emergency Shower

MODELS:

- SE-227: Emergency Shower
- SE-227-SS: Emergency Shower with all stainless steel components

FEATURES:

- 8 in. yellow plastic showerhead (SE-227)
- 8 in. stainless steel showerhead (SE-227-SS)
- Horizontal supply
- Internal 20 gpm regulator flow control
- 1 in. NPT female brass, chrome-plated, stay-open valve (SE-227)
- 1 in. NPT female stainless steel, stay-open valve (SE-227-SS)
- Powder coated yellow, aluminum triangular pull rod activator (SE-227)
- Stainless steel triangular pull rod activator (SE-227-SS)
- 1 in. NPT female inlet
- 20 gpm @ 30 psi
- Universal Emergency Sign Included

FINISHES:



COMPLIANCE:

- Certified to ANSI/ISEA Z358.1



OPTIONS:

Add suffix to model #

- Anti-freeze protection valve -FPV
- Self-closing shower valve with chain & ring -SCSV
- Anti-scald protection valve -SPV
- 1 in. IPS stainless steel ball valve -SSBV1
- Stainless steel showerhead -SSH
- Stainless steel pullrod -SPR

WARRANTY:

- 3 year limited

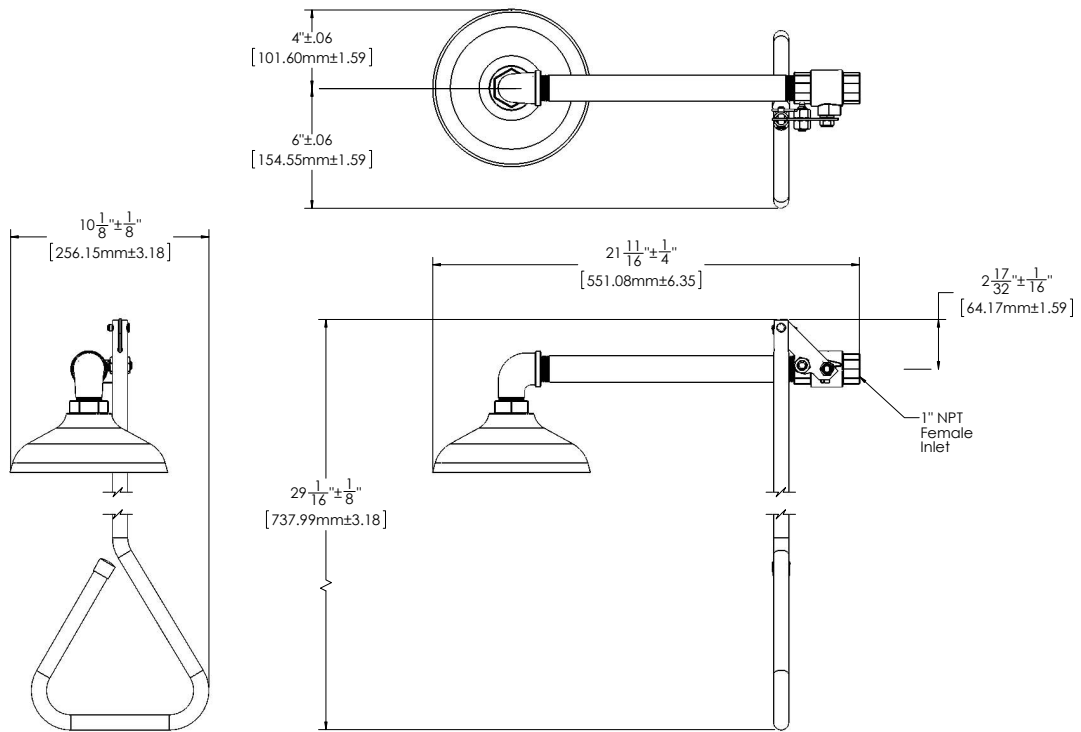


SE-227



SE-227-SS

SE-227



SE-227-SS

