

# SPEAKMAN COMPANY

## Neo Hand-held Shower/Tub Combination With Grab/Slide Bar SM-1490-ADA-P

### DESCRIPTION

Speakman Neo ADA Hand-held Shower Combination with Grab/Slide Bar unites the best products included in our Neo Series. The combination begins with our anti-scald balanced pressure valve with integral diverter and stops, featuring a brass body and adjustable temperature limit stop. The wall plate, handle, and diverter handle are designed with definitive Neo Collection styling. Piston type pressure balancing/ceramic regulating cartridge assembly with built-in check valves. Meets ASME A112.18.1 / CSA B125.1 & ASSE 1016 standards. The featured product in the Neo hand-held shower combination is the ANYSTREAM® VS-3010 hand shower with a 4" outer spray adjustment ring. Five self-cleaning plunger nozzles resist scale build-up and provide 50 spray streams for a full body coverage pattern. The center core nozzle delivers 12 massaging jets and a combination spray is included. Water-conserving pressure compensating AUTOFLO® device reduces flow to 2.5 GPM / 9.46 LPM maximum, to meet existing ANSI A112.18.1 Standard. To control the water supply between the S-2540 shower arm and VS-3010 is our VS-156 ADA compliant volume control. The adjustability of your Neo VS-153 grab/slide bar will allow you to choose the perfect height to rest your hand shower, while still meeting ADA standards. Also included in this package is the brass S-1557 Neo tub spout, matched to the styling of the other combination components.

### SPECIFICATIONS

SM-1400-P Anti-Scald Balanced Pressure Valve:

Connections: ½" female copper sweat inlets  
& shower outlet; ½" NPT female  
tub outlet

Flow Rate: For use with showerheads rated at  
2.0 GPM (7.6 LPM) or higher.

VS-3010 Hand-Held Shower:

Supply: ½" NPT female  
Flow Rate: 2.5 GPM / 9.46 LPM MAX

S-2540 Shower Arm:

Supply: ½" NPT male inlet  
Outlet: ½" NPT male outlet

VS-156 Volume Control:

Supply: ½" NPSM male inlet  
Outlet: ½" NPSM female outlet

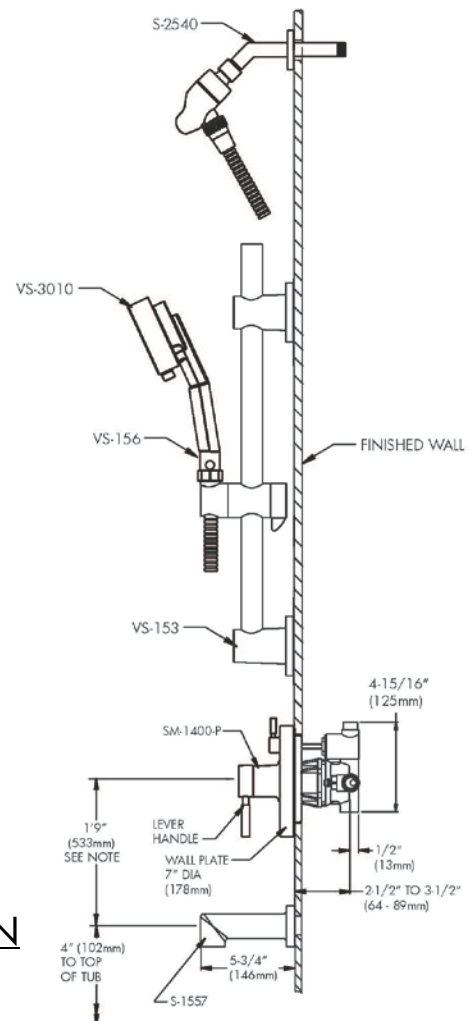
S-1557 Tub Spout:

Supply: ½" copper pipe slip fit

### INSTRUCTIONS

See individual products for installation of the  
components and warranty information.

### ROUGH-IN



NOTE: FOR ADA MOUNTING LOCATIONS CONSULT ADAAG,  
ANSI A117.1 OR STATE REGULATIONS.