

Cast Iron Flange Ball Valve

Feature

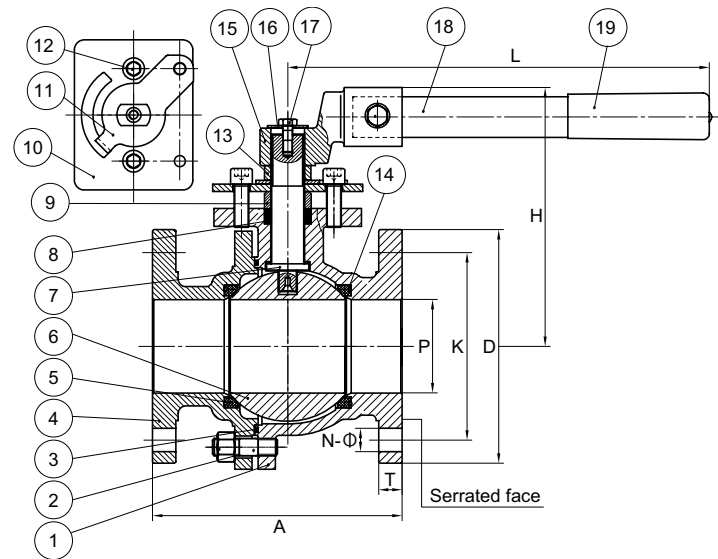
- 125# WSP / 200# WOG
- A126 Class B Cast iron body with FDA food-grade epoxy powder coat
- Solid cast iron PTFE coated ball
- Full port (2"-6")
- Blow-out proof stainless steel stem
- FED SPEC. WW-V-35
- ISO 5211 Mounting pad
- MSS-SP-72
- Max. temp 250°F
- ANSI B16.10

Option with gear handle available



Material

	Part	Material	Specification
1	Body	Cast iron	ASTM A126-B
2	Body stud	Carbon steel	ASTM A193-B7
3	Body gasket	PTFE	PTFE
4	Cap	Cast iron	ASTM A126-B
5	Seat rings	PTFE	PTFE
6	Ball	Cast iron/PTFE coated	-
7	Stem	Stainless steel	ASTM A276 410
8	Packing	PTFE	PTFE
9	Packing follower	Stainless steel	ASTM A276 410
10	Gland plate	Steel	Steel
11	Stem indicator	Steel	Steel
12	Gland stud	Carbon steel	Carbon steel
13	Compression spring	Stainless steel	ASTM A276 410
14	Seat O-ring	PTFE	PTFE
15	Handle Bracket	Ductile iron	Ductile iron
16	Stem washer	Carbon steel	Carbon steel
17	Stem bolt	Carbon steel	Carbon steel
18	Handle	Steel	Steel
19	Handle grip	Vinyl rubber	Vinyl rubber



Dimension, Weight

Size	A	D	K	P	T	N-Φ	H	L	Cv	Torque	Weight
	[in]	[in]	[in]	[in]	[in]		[in]	[in]		[ft-lbs]	[lb]
2"	7.00	6.00	4.75	2.00	0.63	4-0.75	6.04	12.00	500	35	24.2
2-1/2"	7.50	7.00	5.50	2.50	0.69	4-0.75	7.86	13.50	750	48	40.2
3"	8.00	7.50	6.00	3.00	0.75	4-0.75	8.19	13.50	1245	62	48.8
4"	9.00	9.00	7.50	4.00	0.94	8-0.75	9.20	13.75	2500	130	80.2
6"	10.50	11.00	9.50	6.00	1.00	8-0.88	12.81	30.00	5470	260	143
8"	11.49	13.50	11.75	6.00	1.13	8-0.88	12.81	30.00	4150	360	195

* Torque values shown are for reference only.
Factors such as line pressure, temp, fluid, and cycles will vary the actual torque value