

**Feature**

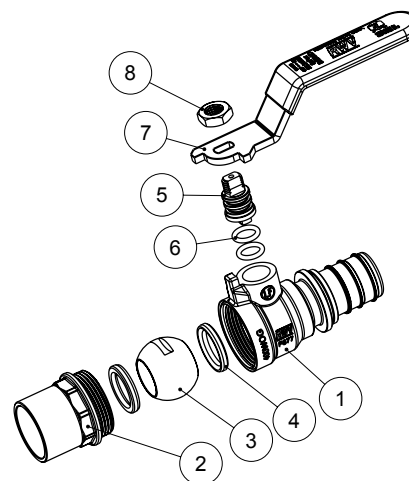
- 400# WOG
- DZR lead free brass body
- REHAU EVERLOC+® full port
- Barb (EVERLOC+) x Solder
- PEX end (EVERLOC+)
- Chrome plated ball
- Virgin PTFE seats
- Blow-out proof stem
- Double NBR O-ring packing
- CSA B125.14
- AB1953, NSF/ANSI 61 & 372 certified

Option with wing handle (5417ABW) available  
 Extension stem available



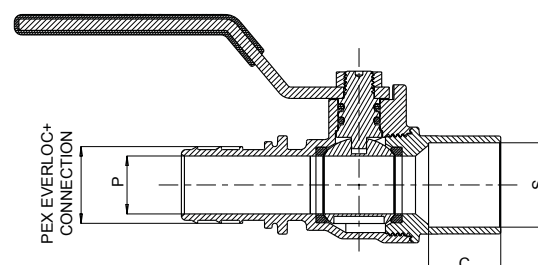
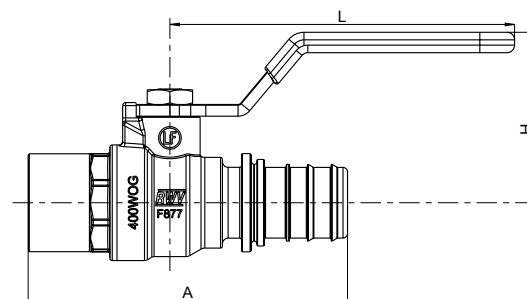
**Material**

	Part	Material	Specification
1	Body	DZR Lead Free Brass	ASTM B927 C27453
2	End piece	DZR Lead Free Brass	ASTM B927 C27453
3	Ball	DZR Lead Free Brass / Cr plated	ASTM B927 C27453
4	Seat	PTFE	PTFE
5	Stem	DZR Lead Free Brass	ASTM B927 C27453
6	O-ring	NBR	NSF approved
7	Handle	Steel / Dacromet® plated	ASTM A36
8	Handle nut	Steel / Zn plated	ASTM A36



**Dimension, Weight**

Size	A [in]	H [in]	L [in]	C [in]	P [in]	S [in]	Wt. [lb]
1/2"	2.41	1.38	3.19	0.51	0.38	0.627-0.631	0.28
3/4"	3.33	1.77	3.58	0.75	0.60	0.877-0.881	0.50
1"	4.00	1.93	3.58	0.91	0.77	1.128-1.131	0.74



Valves with EVERLOC+® compression-sleeve connection require EVERLOC+ PEXa compression sleeves and REHAU PEXa pipe. Installation is performed only with EVERLOC+ compression-sleeve tools. Follow all published REHAU Technical Guidelines available at [www.na.rehau.com/resourcecenter](http://www.na.rehau.com/resourcecenter).

Licensed under one or more claims of patents - [www.na.rehau.com/evpluspatents](http://www.na.rehau.com/evpluspatents)