



# ECO-VALVE

## Figure # 5008AB

Low Lead Brass Ball Pex End Ball Valve

### Product Features

- \* 400# WOG
- \* Brass Body
- \* Virgin PTFE Seats
- \* For use with PEX Tubing
- \* Barb x FNPT
- \* Blow-Out Proof Stem
- \* Double NBR O-ring Packing
- \* ASTM F1807
- \* NSF 61-G & NSF 372 Certified

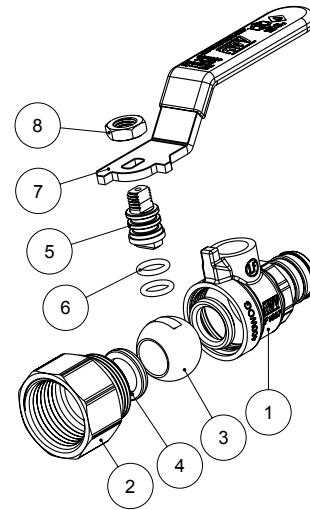


with Wing handle (5008ABW)

Pressure/Temperature Rating	
300 psi from 15°F to 160°F	150 psi MAX at 200°F

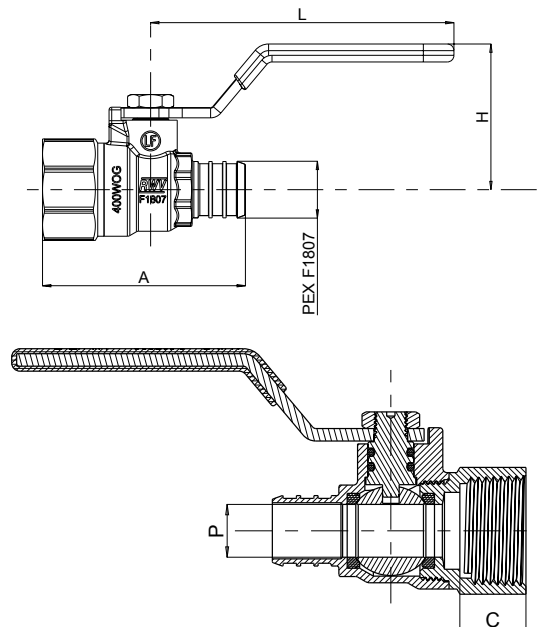
### Materials & Specifications

Item	Description	Material	Specification
1	Body	Low Lead Brass	UNS C27453
2	End piece	Low Lead Brass	UNS C27453
3	Ball	Low Lead Brass/Cr Plated	UNS C27453
4	Seat	PTFE	PTFE
5	Stem	Low Lead Brass	UNS C27453
6	O-ring	NBR	NBR
7	Handle	Steel/Dc plated	ASTM A36
8	Nut	Steel/Zn plated	ASTM A36



### Dimensions, Weights (inches-lbs.) & Valve Data

Size	1/2	3/4	1
A	2.17	2.40	2.87
H	1.36	1.72	1.85
L	3.20	3.59	3.59
P	0.39	0.50	0.71
C	0.61	0.63	0.75
Wt	0.28	0.41	0.60



### RED-WHITE VALVE CORP.

20600 Regency Lane, Lake Forest, CA 92630

TEL: 949.859.1010 • FAX: 949.859.7200 • www.redwhitevalvecorp.com

(160523)