

Feature

- 125# WSP / 200# WOG
- Bronze body
- DZR disc
- FNPT x FNPT
- Threaded ends (ASME B1.20.1-NPT)
- Swing check
- "Y" Pattern
- MSS-SP-80

236B = Metal seat
 236BT= Virgin PTFE seat



Pressure/ Temperature rating	
200 psi from 15 °F to 160 °F	125 psi max. at 366 °F

Material

	Part	Material	Specification
1	Body	Bronze	ASTM B62 C83600
2	Disc	DZR Brass	UNS C35330
3	Stem	Brass	ASTM B124 C37700
4	Screw	Brass	ASTM B124 C37700
5	Gasket	PTFE	TF1502
6	Cap	Bronze	ASTM B62 C83600
7	Name plate	Aluminum	-
8	Gasket*	PTFE	-
9	Nut*	Brass	ASTM B124 C37700

* Only with 236BT

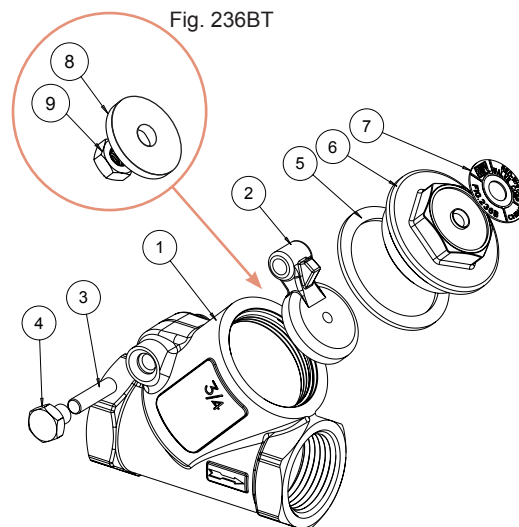
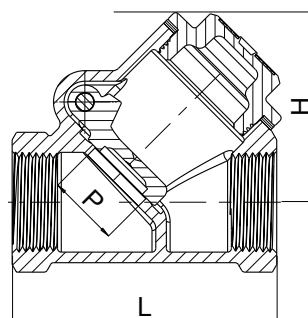


Fig. 236BT

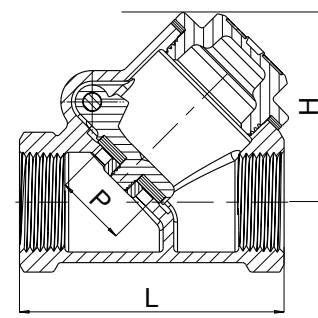
Dimension, Cv, Weight

	H [in]	L [in]	P [in]	Cv	Wt. ¹ [lb]
¼"	1.57	2.04	0.51	2.50	0.44/0.47
⅜"	1.57	2.04	0.51	3.40	0.45/0.45
½"	1.67	2.20	0.59	5.33	0.58/0.58
¾"	1.97	2.76	0.75	10.5	0.96/1.04
1"	2.28	3.15	0.99	19.0	1.34/1.36
1¼"	2.71	3.78	1.25	32.8	2.28/2.24
1½"	3.19	4.33	1.50	50.6	3.23/3.23
2"	3.86	5.04	1.97	88.1	5.21/5.21
2½"	4.57	6.14	2.50	146	8.27/8.47
3	5.35	7.24	3.00	218	11.73/12.06

¹ 236B / 236BT



236B



236BT