

**Feature**

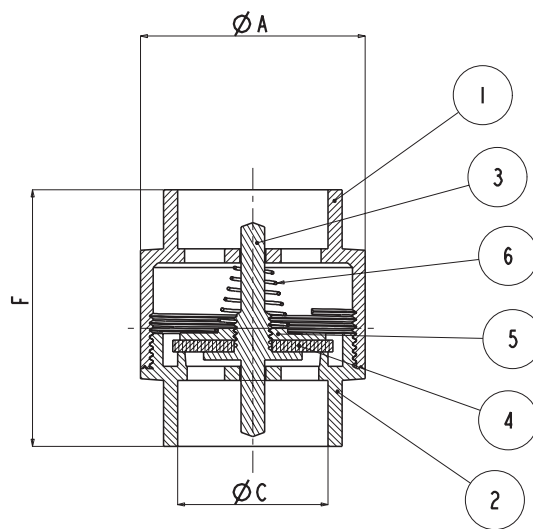
- 200# WOG
- Brass body
- Solder x Solder
- Solder ends (ASME B16.22)
- Spring loaded
- Horizontal or vertical installation
- FKM soft seat

Pressure/ Temperature rating
200 psi from 15 °F to 200 °F



**Material**

	Part	Material	Specification
1	Body	Brass	ASTM B283 C37700
2	End piece	Brass	ASTM B283 C37700
3	Stem	Brass	ASTM B124 C37700
4	Seat	FKM	NSF approved
5	Disk	Brass	ASTM B124 C37700
6	Spring	Stainless Steel	AISI 304 S30400



**Dimension, Cv, Weight**

	ØA [in]	ØC [in]	F [in]	Cv	Wt. [lb]
1/2"	1.18	0.627-0.631	2.36	1.54	0.28
3/4"	1.46	0.877-0.881	2.68	3.64	0.36
1"	1.77	1.128-1.132	3.15	8.17	0.68
1 1/4"	2.20	1.378-1.382	3.54	13.8	0.96
1 1/2"	2.48	1.628-1.633	3.94	19.0	1.18
2"	3.07	2.128-2.133	4.33	36.9	2.01