



## MODERN ARCHITECTURAL C-SPOUT STAINLESS STEEL FILTER FAUCET

ROHL — Water Filtration Featuring Katadyn® Technology

**R7517SS**

### FEATURES

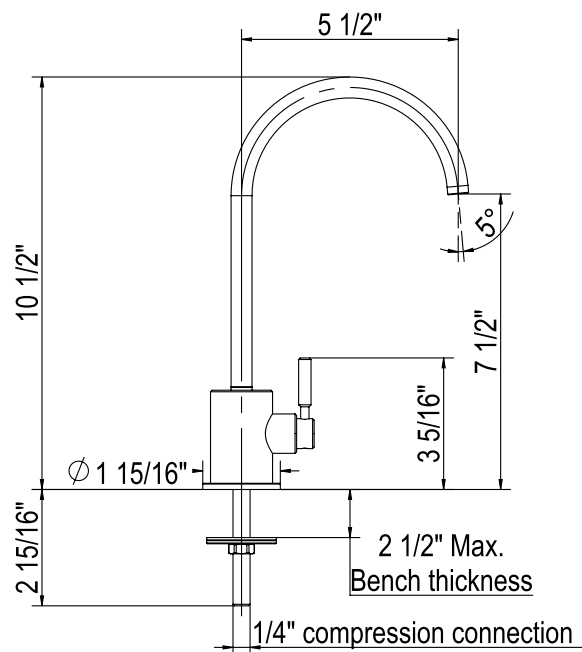
- Stainless Steel construction
- 10 1/2" height & 5 1/2" reach swivel spout
- 1/4-turn ceramic disc control cartridges
- 1/4" compression connection not included
- 1/2 GPM at 45 PSI
- 1 3/8" diameter max hole cutout
- Not suitable for R.O. systems or as a hot water dispenser
- Authentically crafted in New Zealand

### COLOR/FINISH

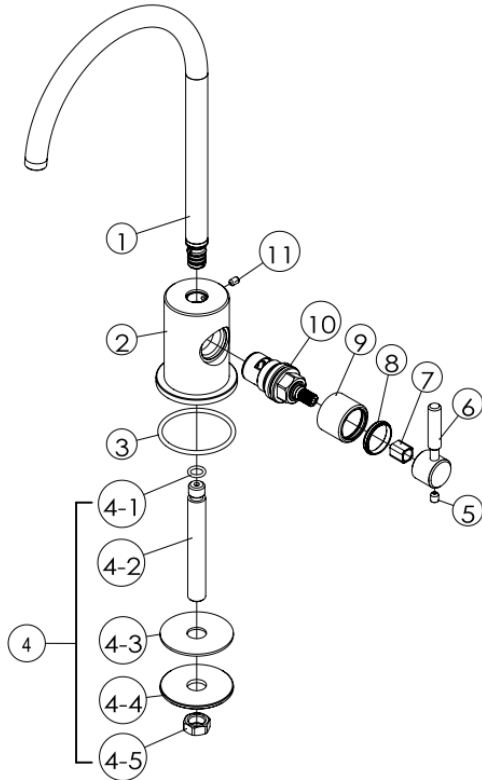
- Stainless Steel

### WARRANTY

- Limited Lifetime



## SPARE PARTS



No	DESCRIPTION	QTY
1	SPOUT ASSEMBLY	1
2	BODY ASSEMBLY	1
3	O RING - BS131 (ID 1-11/16" X 3/32" )	1
4	MOUNTING SYSTEM	
4-1	O RING - BS011 (ID 5/16" X 1/16" )	1
4-2	S.S. INLET TUBE	1
4-3	RUBBER WASHER	1
4-4	STANLESS STEEL WASHER	1
4-5	S.S. MOUNTING NUT	1
5	S.S GRUB SCREW - M5	1
6	HANDLE LEVER	1
7	SQUARE PLASTIC SLEEVE	1
8	HANDLE BEARIGN RING	1
9	HANDLE SLEEVE	1
10	1/2" QUARTER TURN HEADWORK	1
11	S.S GRUB SCREW - M4	1

## Installation Instructions

**Note: Fits a maximum bench thickness of 2 1/2inches.  
Cut-out size minimum 1/2", maximum 1 1/2".**

1. Flush pipe work to ensure it is free from debris.
2. Cut a mounting hole as per cut-out above in the desired position for the faucet.
3. Remove mounting nut #4.5, steel washer #4.4 and rubber washer #4.3 from filter tap.
4. Position in bench top ensuring the base seal #3 is in place.
5. From underneath the bench install the rubber washer #4.3, steel washer #4.4 and mounting nut #4.5 .
6. Connect to cold water supply (See installations for water filter systems - Not included).
  - a. 1/4" compression fitting is required. (Not included.)
7. Turn on water supply and check for leaks.

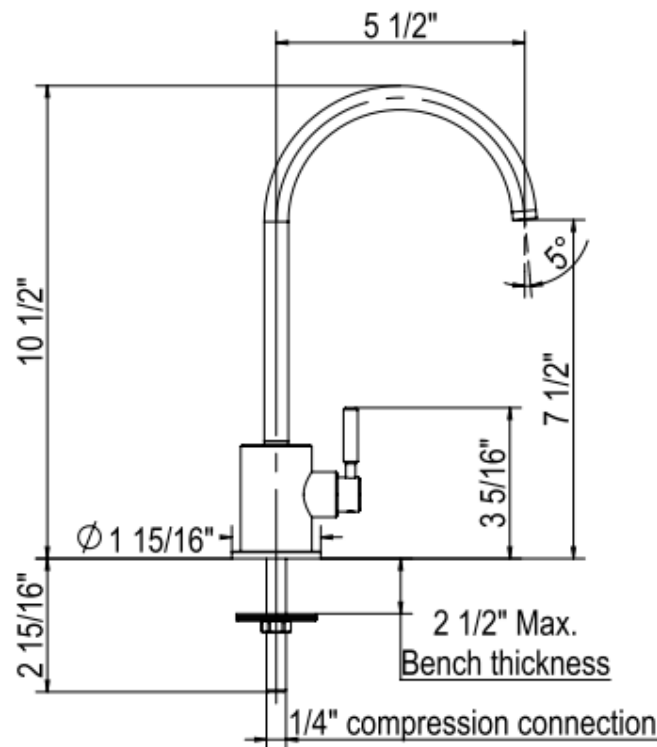
CARE & MAINTENANCE: Refer Rohl care & maintenance guide.

WARRANTY: Warranty is limited lifetime. See ROHL website for details. (www.rohlhome.com).

SPARE PARTS

## MODERN KITCHEN SINGLE SIDE LEVER STAINLESS STEEL FILTER FAUCET R7517SS

### INSTALLATION INSTRUCTIONS



Please leave this form with the product once installed.

#### SYSTEM REQUIREMENTS

To ensure the optimum performance and customer satisfaction please adhere to the following:

- Flush out all pipe work prior to installation.
- Minimum operating pressure 40psi
- Maximum operating pressure 70psi
- Recommended operating pressure 60psi
- \*Note: Pressures over 70psi may require that the house have a pressure regulator installed to limit the pressure below 70psi.
- Maximum hot water temperature 120°F
- If the water temperature exceeds 120°F an approved tempering valve must be fitted.
- Maximum flow rate limited to 0.5 GPM at 45psi flow pressure.

**Failure to comply with the above will void all warranties.**

**Note:** It is strongly recommended that in-line filters are fitted to both inlets.

Compression connection not supplied.

#41354 07/16