

### Features

- Color and style matched to Profiles styling suite
- Modular Vanity - Build arrays both stacked and ganged
- Mates to both H1D18 (7.5" high) & H2D18 (15" high) Series
- Handleless ergonomic continuous drawer
- Includes 2 fully adjustable glass drawer dividers

### Construction

- All aluminum and glass construction - designed for disassembly and recycle, aluminum structural frame and drawer sides, glass drawer fronts, and safety backed glass drawer bottom
- Heavy duty, full extension, soft close drawers slides
- Constructed for wall hanging loads with stone tops
- Glass fronts and optional side kits are replaceable
- Includes installation hardware using secure structural bolts
- Glass side kits sold separately

### Codes/Standards Applicable

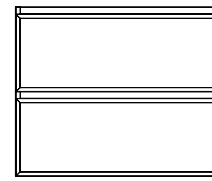
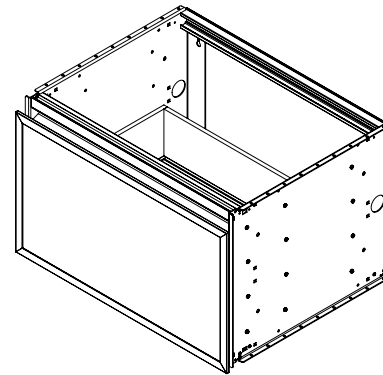
- Night Light Option is ETL certified to:
  - UL 2108
  - CSA Standard C22.2 No. 12
- Electric outlet accessory is ETL certified to:
  - UL 1363
  - CSA Standard C22.2 No. 21

### Dimensions

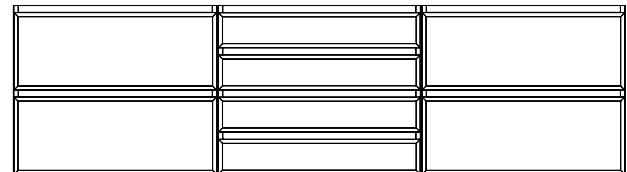
Height: 15" (381 mm)  
 Width: 24-1/8" (613 mm) - with side kits installed  
 Depth: 18-7/8" (479 mm)

### Options

- Choice of split plumbing or full width drawer
- Integrated night light with light bar built into top frame provides drawer illumination and for wayfinding light in either 2700 kelvin or 4000 kelvin
- Metal frame finishes: Polished Nickel, Chrome, Matte Black, and Matte Gold
- Glass finish options: Mirror, patterned glass, and back painted glass - gloss or matte
- Other widths available - 12" (308 mm) / 30" (765 mm) / 36" (918 mm)
- 7-1/2" (191 mm) drawer height available - H1
- Larger depth available 21-7/8" (556 mm) - D21
- In-drawer electrical outlets



Two H2 - 15" (381 mm) Profiles vanities stacked  
 Total height 30" (762 mm)



(2) H2 Profiles vanities stacked + (4) H1 Profiles vanities stacked + (2) H2 Profiles vanities stacked

### Model Number Key

Vanity	Profiles	Width	Height	Depth	Drawer Style	Glass Finish	Light	Metal Frame Finish
V	P	24"	H2 = 15"	D18 = 18-7/8"	F = Full Drawer	10 = Mirror 11 = Tinted Gray Mirror 12 = Satin Bronze 19 = Satin White 20 = Black 21 = White 22 = Beach 23 = Ocean 24 = Smoke Screen 25 = Silver Screen 26 = Matte White 27 = Matte Gray 28 = Matte Black	N = Base L = Night Light	76 = Chrome 77 = Polished Nickel 82 = Matte Gold 83 = Matte Black

## Electrical System

- Night light option - 12VDC plug-in transformer  
Locate wall outlet as per installation instructions 209-1232
- In-drawer 3 outlet and switch box option - plug-in cord  
Locate wall outlet as per installation instructions 209-1232  
120VAC 20A outlet - GFCI protected

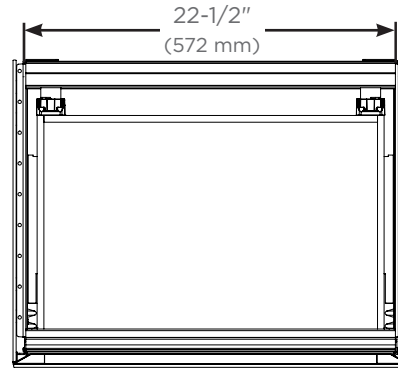
## Optional Accessories

- Insert Plumbing Drawer (VADRAWER24P)
- Insert Full Drawer (VADRAWER24X)
- In drawer electrical outlets (VAELECTRIC18)
- Assorted glass bins:
  - Divided storage (GLASSBIN6.38)
  - Small (GLASSBIN3.25)
  - Medium (GLASSBIN5.25)
  - Large (GLASSBIN8.5)
- Hair Styling Organizer (VAHAIRORG)
- Robern Engineered Stone Tops and porcelain sink available

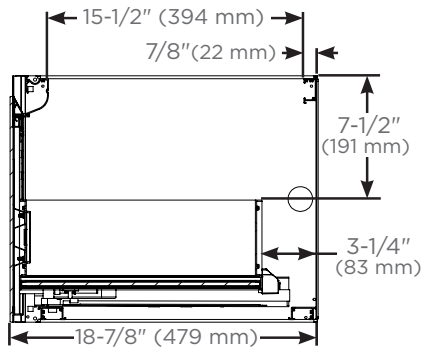
## Modularity Accessories

Available in 4 heights (based on final configuration)

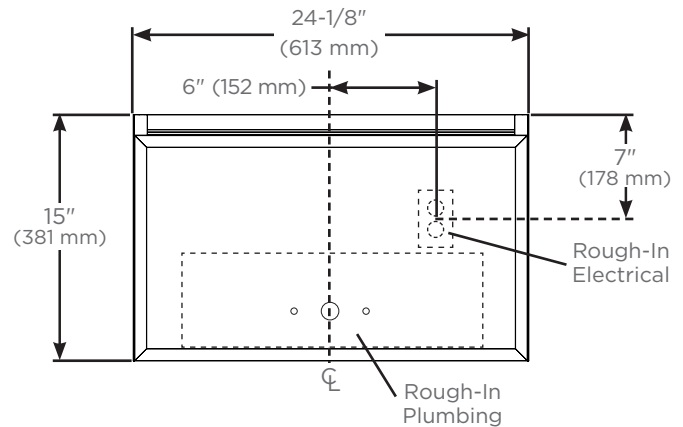
- Side kits (**Single**):
  - 7-1/2" (VM1SKH1D18##)
  - 22-1/2" (VM1SKH3D18##)
  - 15" (VM1SKH2D18##)
  - 30" (VM1SKH4D18##)
- Side kits (**Pair**):
  - 7-1/2" (VM2SKH1D18##)
  - 22-1/2" (VM2SKH3D18##)
  - 15" (VM2SKH2D18##)
  - 30" (VM2SKH4D18##)
- Ganging kits:
  - 7-1/2" (VMGKITH1)
  - 22-1/2" (VMGKITH3)
  - 15" (VMGKITH2)
  - 30" (VMGKITH4)
- Alcove finishing kits:
  - 7-1/2" (VMAKITH1)
  - 22-1/2" (VMAKITH3)
  - 15" (VMAKITH2)
  - 30" (VMAKITH4)



Top view for plumbing and sink clearance



Side views for plumbing and sink clearance with door front



Front view with side kits

## Installation Notes

**Install this product according to the installation guide 209-1232.**

- The Robern Engineered Stone Tops and porcelain sinks are recommended for this vanity.
- Special site preparation is required. Wall bracing and Robern supplied hardware are recommended.
- If a sink will be installed, the plumbing must be roughed into the plumbing cutout area of the vanity. Refer to the sink rough-in and the vanity rough-in for proper placement. The water supply and drain lines must be installed before installing the vanity.