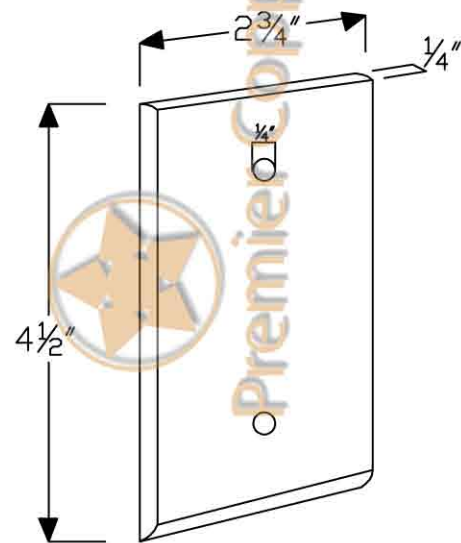
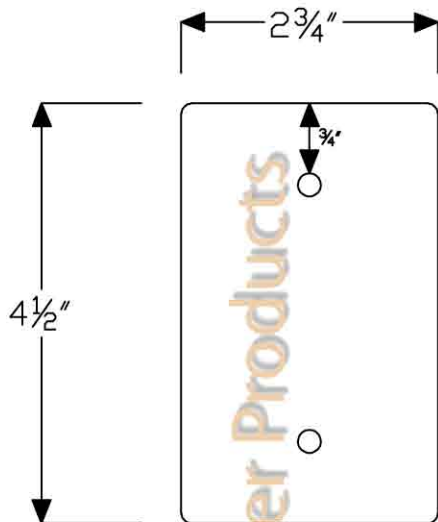




# ITEM# SB1 BLANK COPPER SWITCH PLATE COVER

DIMENSIONS:  $2\frac{3}{4}$ " X  $4\frac{1}{2}$ "  
FINISH: OIL RUBBED BRONZE



**IMPORTANT:** THIS PRODUCT IS HAND CRAFTED AND SMALL VARIANCES MAY OCCUR.