



Premier Copper Products

CODE/STANDARD COMPLIANCE

\* IAPMO/cUPC LISTED



C

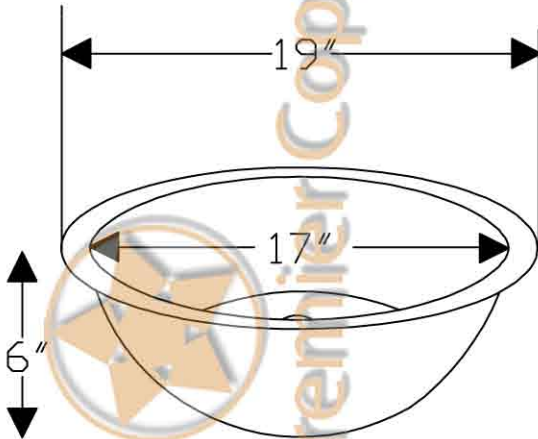
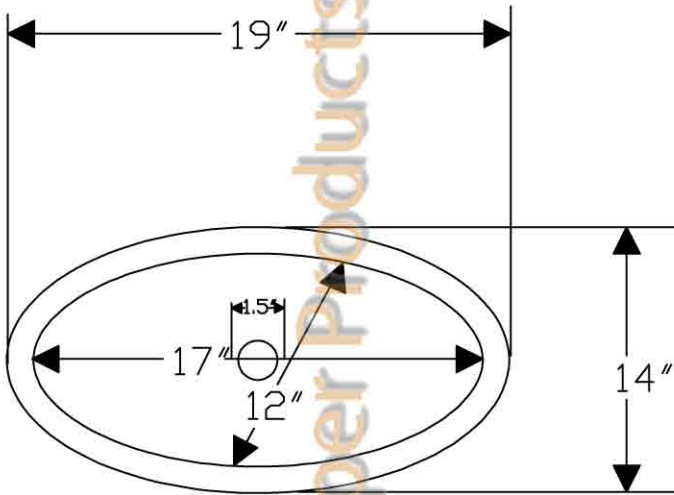
# ITEM # LO19FDB OVAL FLAT RIM

OUTER DIMENSIONS: 19"X14"X6"

INNER DIMENSIONS: 17"X12"X6"

DRAIN SIZE: 1.5" W/O OVERFLOW

MATERIAL GAUGE: 17



**IMPORTANT:** THIS PRODUCT IS HAND CRAFTED AND SMALL VARIANCES MAY OCCUR. DIMENSIONS MAY VARY UP TO 1/4". DO NOT MAKE ANY INSTALLATION CUTS UNTIL YOU RECEIVE YOUR SINK.