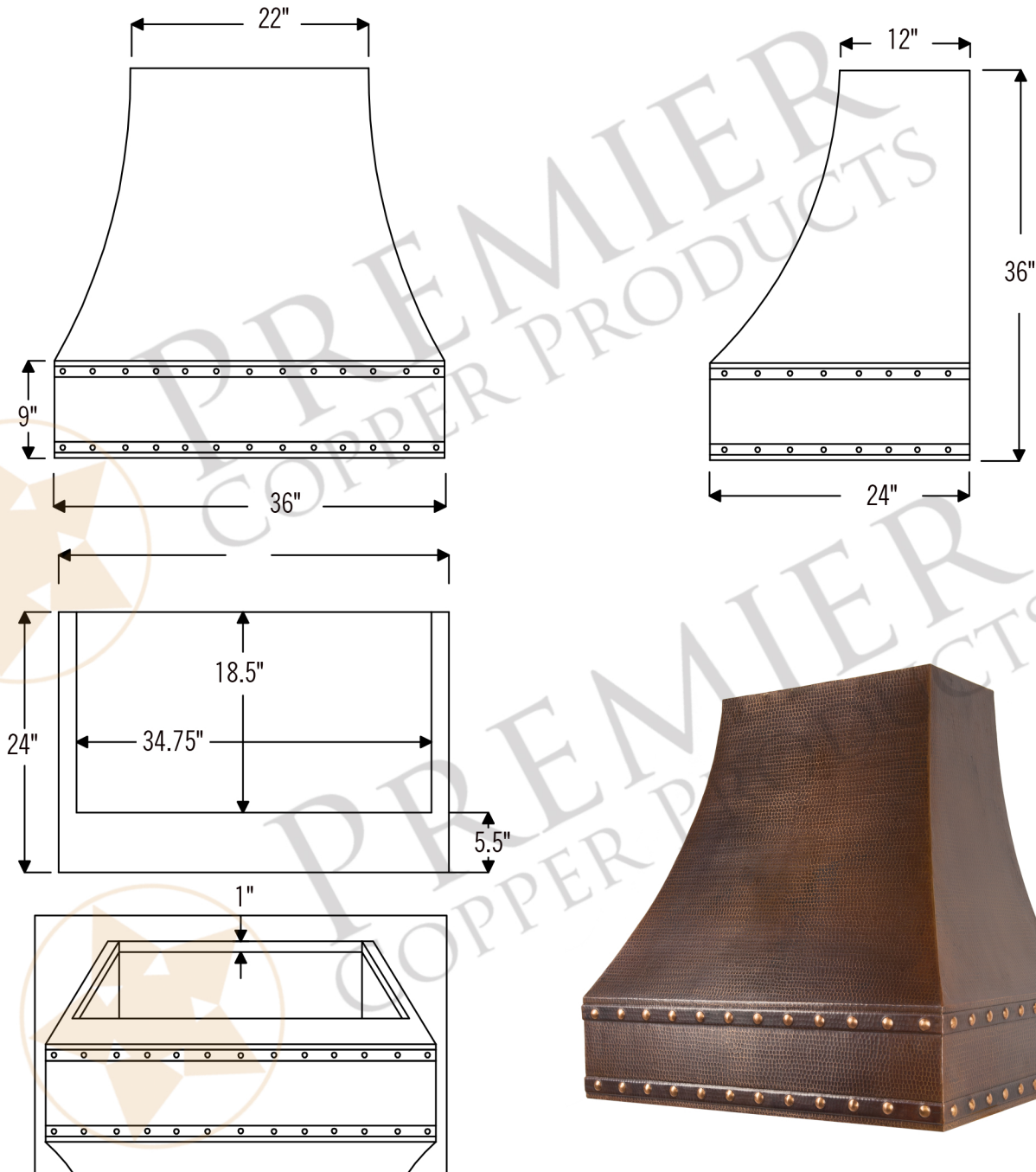




## MODEL NUMBER: HV-CORREA36-C2036BP

- \* Description: Hand Hammered Copper Wall-Mounted Correa Range Hood with 735 CFM Stainless Steel Insert.
- \* Outer Dimensions: 36" X 24" X 36"
- \* Top Dimensions: 22" X 12"
- \* Bottom Dimensions: 36" X 24"
- \* Skirt Height: 9"
- \* Finish: Oil Rubbed Bronze



THIS PRODUCTS IS HAND CRAFTED, SMALL VARIANCES IN COLOR AND SIZE MAY OCCUR.  
DO NOT MAKE ANY INSTALLATION CUTS UNTIL YOU RECEIVE YOUR ITEM(S).

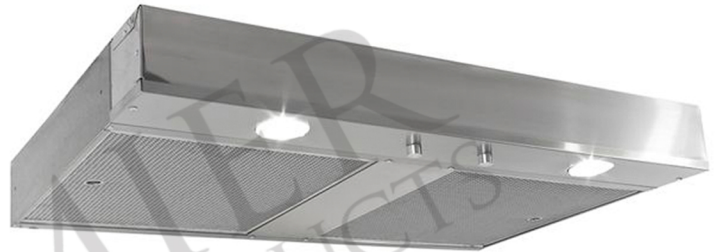
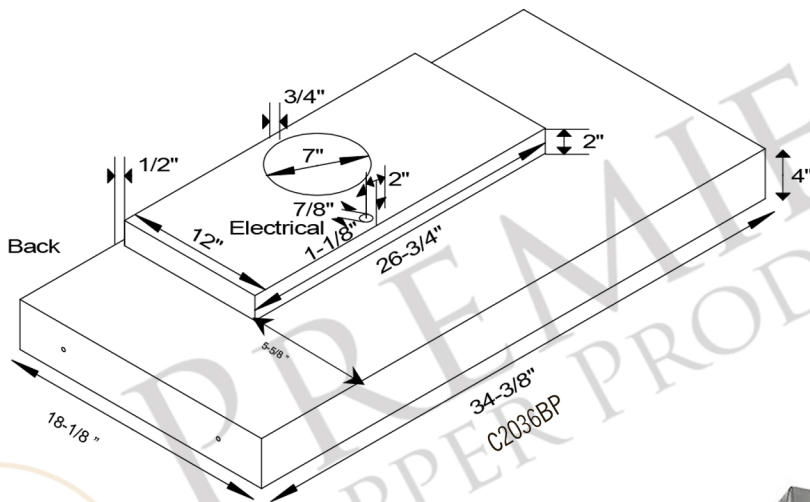


**MODEL NUMBER: HV-CORREA36-C2036BP**

- \* Description: Hand Hammered Copper Wall Mounted Correa Range Hood 735 CFM Stainless Steel
- \* Insert Model Number: C2036BP
- \* Insert Description: 735 CFM, 1.5 -4.6 Sones, Variable Controls, Dual Centrifugal Blowers, Aluminum Mesh Filters
- \* Insert Duct: Single 7" Round Vent Opening
- \* Insert Lighting: Front Panel LED Lights Included
- \* Filter: Aluminum Mesh Filter
- \* Insert Finish: Stainless Steel



**POWERED LINER SPECIFICATIONS**



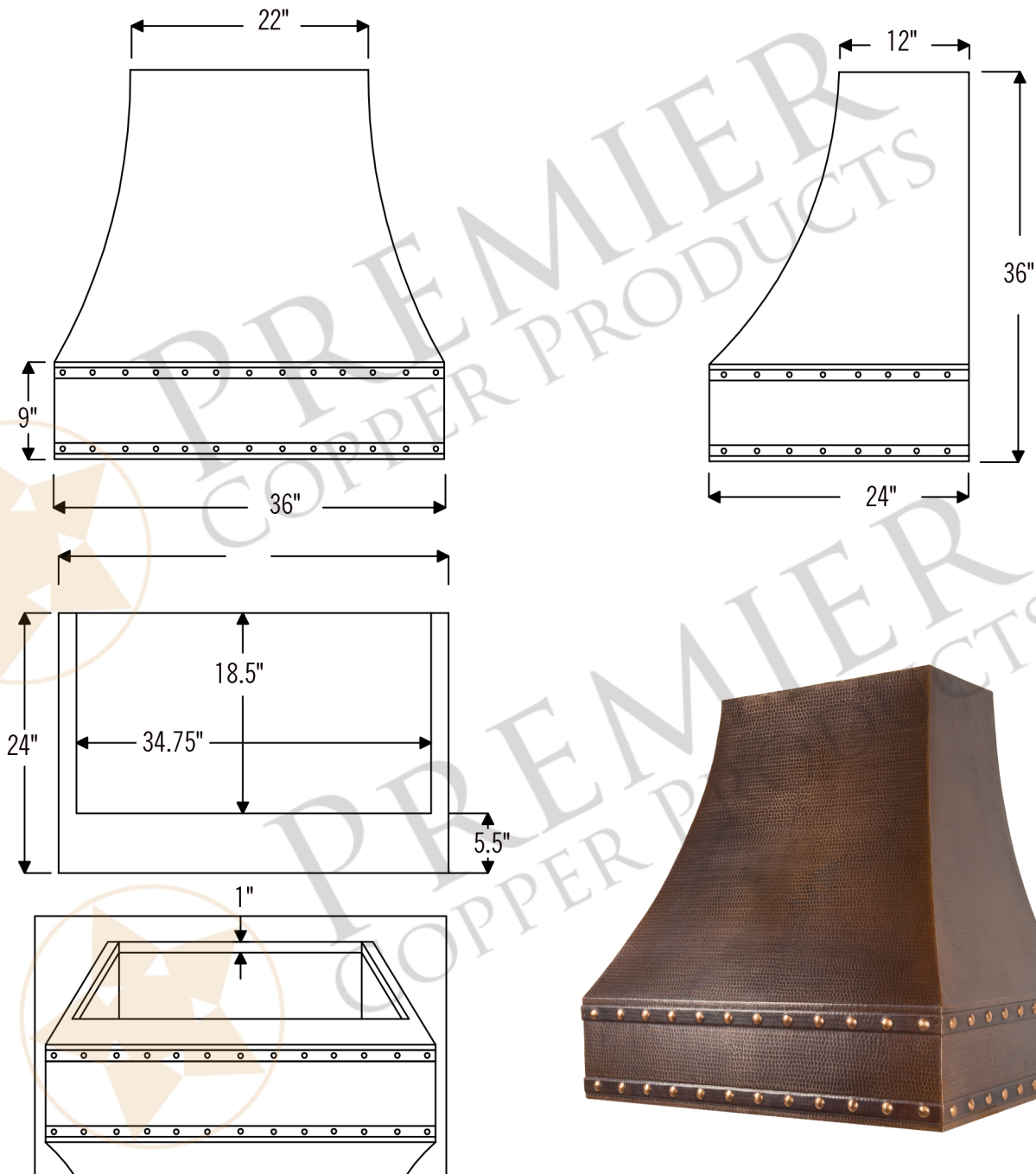
**SEVEN YEAR, IN HOME, LIMITED WARRANTY ON INSERT, THE BEST IN THE INDUSTRY!**

Please visit [ImperialHoods.com](http://ImperialHoods.com) to view the details on their warranty

All dimensions on inserts are (+/-) 1/8" and are subject to change. Drawings are not to scale.



- \* Description: Hand Hammered Copper Wall-Mounted Correa Range Hood with 1250 CFM Stainless Steel Insert.
- \* Outer Dimensions: 36" X 24" X 36"
- \* Top Dimensions: 22" X 12"
- \* Bottom Dimensions: 36" X 24"
- \* Skirt Height: 9"
- \* Finish: Oil Rubbed Bronze



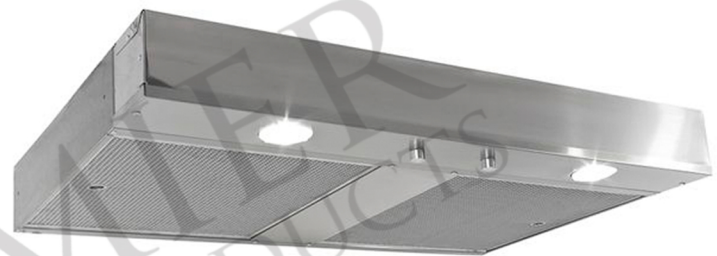
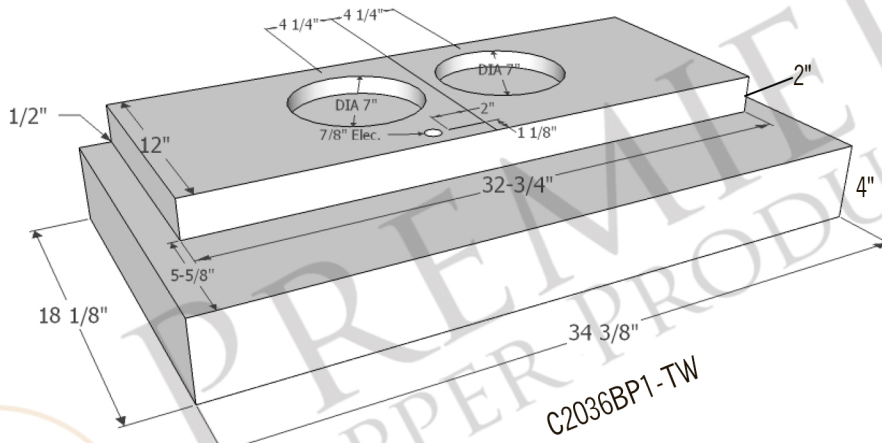
THIS PRODUCTS IS HAND CRAFTED, SMALL VARIANCES IN COLOR AND SIZE MAY OCCUR.  
DO NOT MAKE ANY INSTALLATION CUTS UNTIL YOU RECEIVE YOUR ITEM(S).



- \* Description: Hand Hammered Copper Wall Mounted Correa Range Hood 1250 CFM Stainless Steel Insert
- \* Insert Model Number: C2036BP1-TW
- \* Insert Description: 1250 CFM, 1.5 -4.6 Sones, Variable Controls, Twin Centrifugal Blowers, Aluminum Mesh Filters
- \* Insert Duct: **Two** 7" Round Vent Opening
- \* Insert Lighting: Front Panel LED Lights Included
- \* Filter: Aluminum Mesh Filter
- \* Insert Finish: Stainless Steel



**POWERED LINER SPECIFICATIONS**



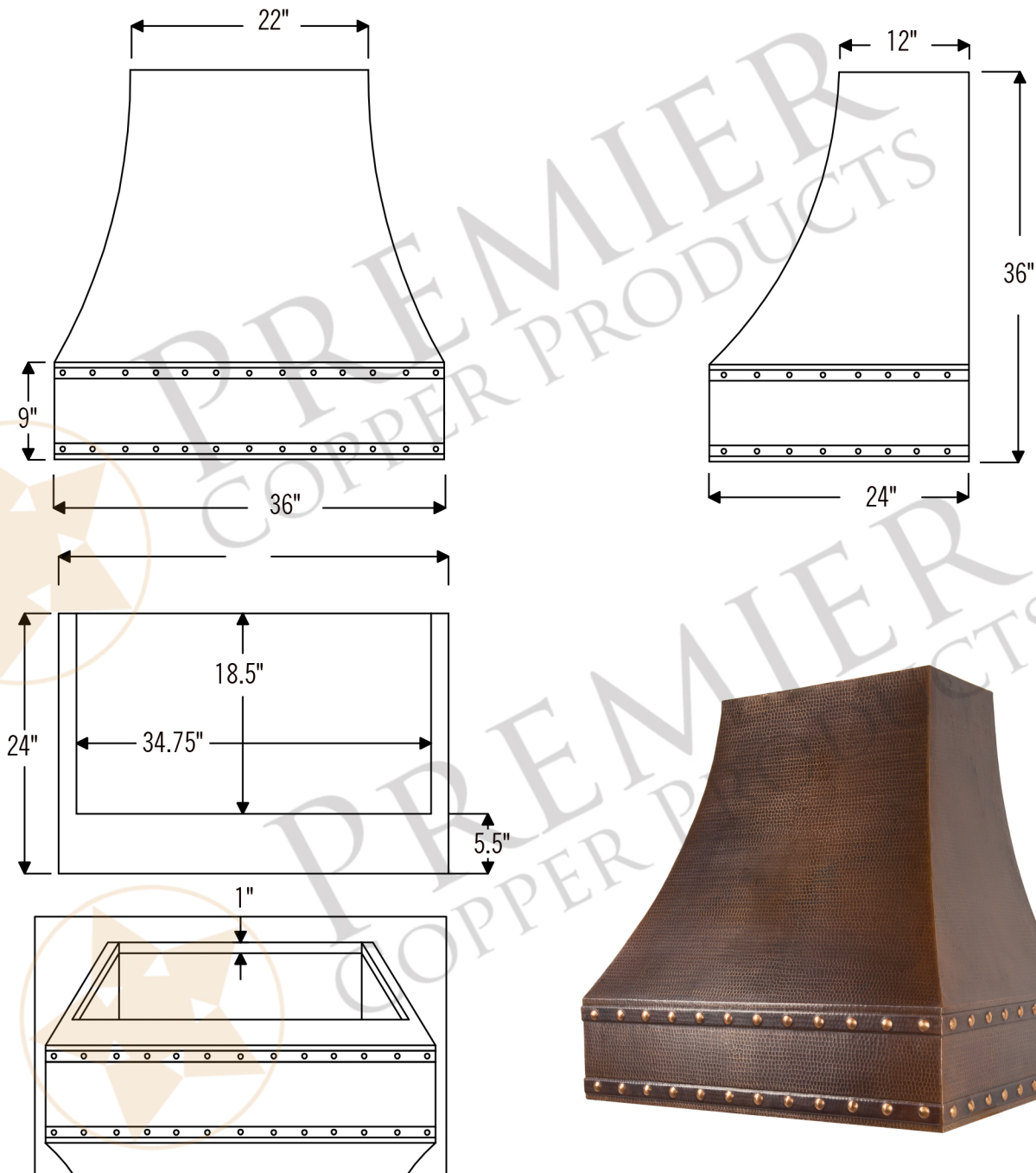
**SEVEN YEAR, IN HOME, LIMITED WARRANTY ON INSERT, THE BEST IN THE INDUSTRY!**

Please visit [ImperialHoods.com](http://ImperialHoods.com) to view the details on their warranty

All dimensions on inserts are (+/-) 1/8" and are subject to change. Drawings are not to scale.



- \* Description: Hand Hammered Copper Wall-Mounted Correa Range Hood with 1065 CFM Stainless Steel Insert.
- \* Outer Dimensions: 36" X 24" X 36"
- \* Top Dimensions: 22" X 12"
- \* Bottom Dimensions: 36" X 24"
- \* Skirt Height: 9"
- \* Finish: Oil Rubbed Bronze



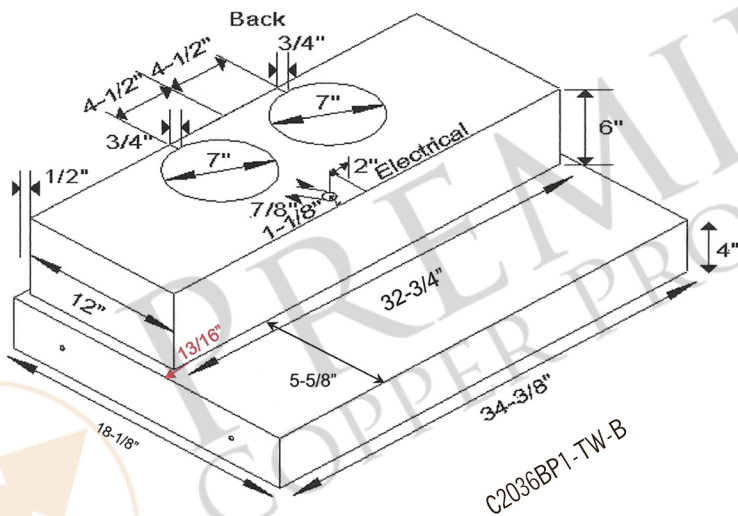
THIS PRODUCTS IS HAND CRAFTED, SMALL VARIANCES IN COLOR AND SIZE MAY OCCUR.  
DO NOT MAKE ANY INSTALLATION CUTS UNTIL YOU RECEIVE YOUR ITEM(S).



- \* Description: Hand Hammered Copper Wall Mounted Correa Range Hood 1065 CFM Stainless Steel
- \* Insert Model Number: C2036BP1-TW-B
- \* Insert Description: 1065 CFM, 1.5 -4.6 Sones, Variable Controls, Twin Centrifugal Blowers, Baffle Filters, Heat Controlled Thermostat
- \* Insert Duct: **Two 7" Round Vent Opening**
- \* Insert Lighting: Front Panel LED Lights Included
- \* Filter: Baffle Filter
- \* Insert Finish: Stainless Steel



**POWERED LINER SPECIFICATIONS**



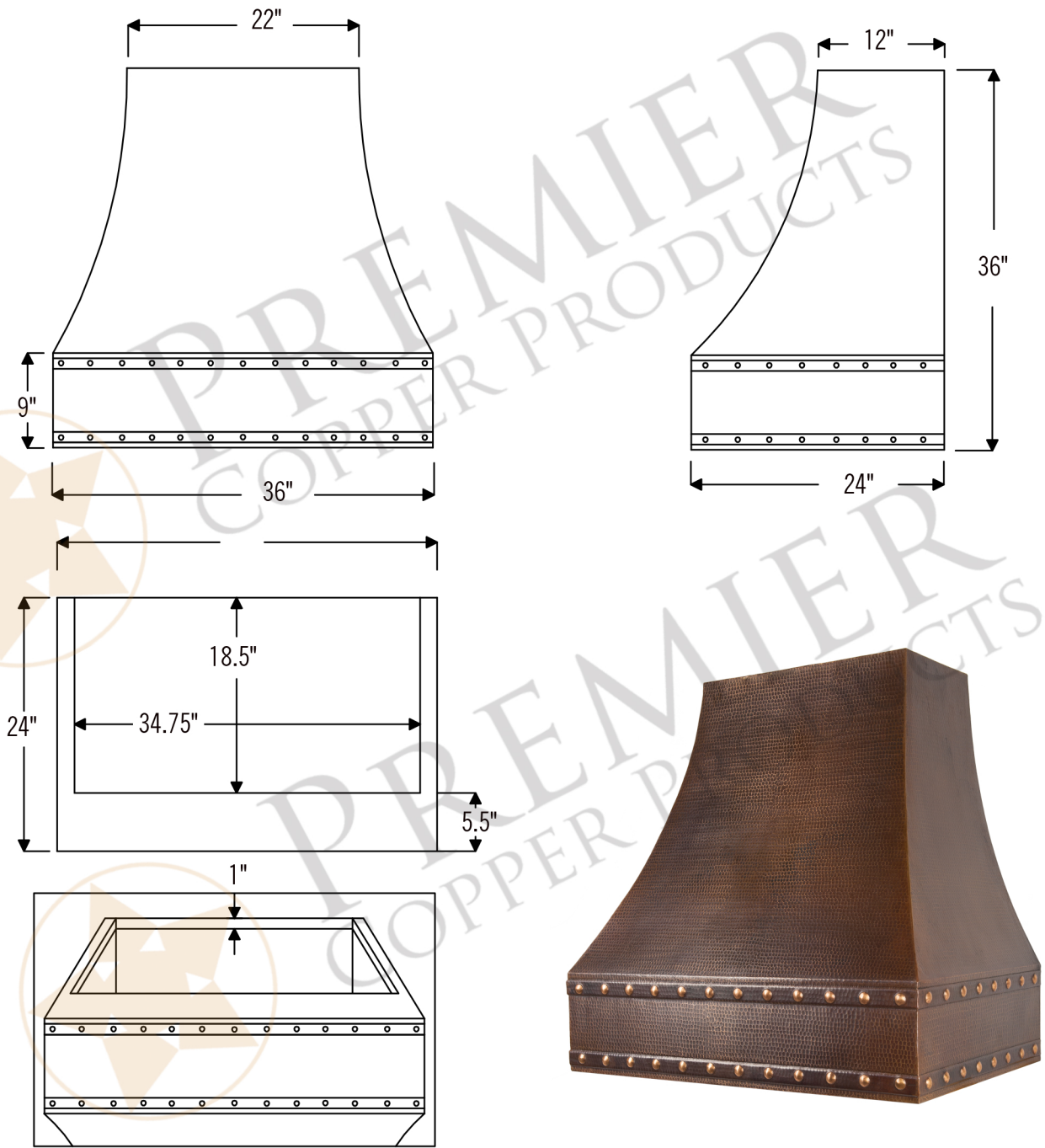
**SEVEN YEAR, IN HOME, LIMITED WARRANTY ON INSERT, THE BEST IN THE INDUSTRY!**

Please visit [ImperialHoods.com](http://ImperialHoods.com) to view the details on their warranty

All dimensions on inserts are (+/-) 1/8" and are subject to change. Drawings are not to scale.



- \* Description: Hand Hammered Copper Wall-Mounted Correa Range Hood with 625 CFM Stainless Steel Insert.
- \* Outer Dimensions: 36" X 24" X 36"
- \* Top Dimensions: 22" X 12"
- \* Bottom Dimensions: 36" X 24"
- \* Skirt Height: 9"
- \* Finish: Oil Rubbed Bronze



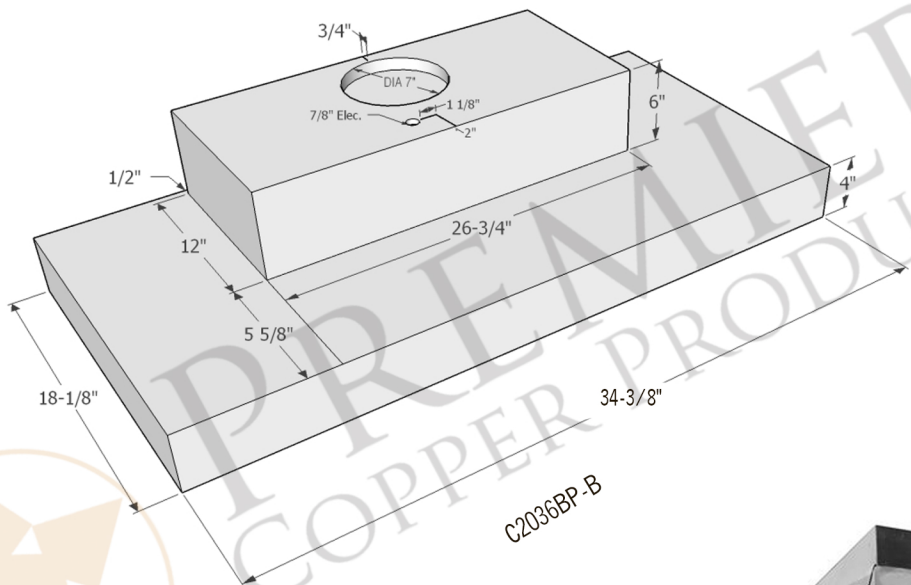
THIS PRODUCTS IS HAND CRAFTED, SMALL VARIANCES IN COLOR AND SIZE MAY OCCUR.  
DO NOT MAKE ANY INSTALLATION CUTS UNTIL YOU RECEIVE YOUR ITEM(S).



- \* Description: Hand Hammered Copper Wall Mounted Correa Range Hood 625 CFM Stainless Steel Insert
- \* Insert Model Number: C2036BP-B
- \* Insert Description: 625 CFM, 1.5 -4.6 Sones, Variable Controls, Dual Centrifugal Blowers, Baffle Filters
- \* Insert Duct: Single 7" Round Vent Opening
- \* Front Panel LED Lighting Included
- \* Filter: Baffle
- \* Insert Finish: Stainless Steel



### POWERED LINER SPECIFICATIONS



SEVEN YEAR, IN HOME, LIMITED WARRANTY ON INSERT, THE BEST IN THE INDUSTRY!

Please visit [ImperialHoods.com](http://ImperialHoods.com) to view the details on their warranty

All dimensions on inserts are (+/-) 1/8" and are subject to change. Drawings are not to scale.