

ALVESTON

Towel Ring **890-1410**

Features

- Solid brass construction
- Single-post, horizontal pivot design with hanging, closed ring
- Complements Alveston product series

Codes / Standards Compliance

Meets or exceeds the following at date of manufacture:

- All applicable US Federal and State material regulations

Colors / Finishes

- 10B: Oil Rubbed Bronze
 - 15: Polished Nickel
 - 15S: Satin Nickel - PVD
 - 26: Polished Chrome
- Other: Refer to the Newport Brass catalog for additional color/finish options.



Specified Model

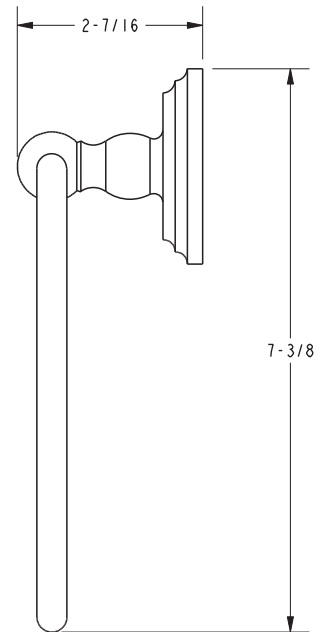
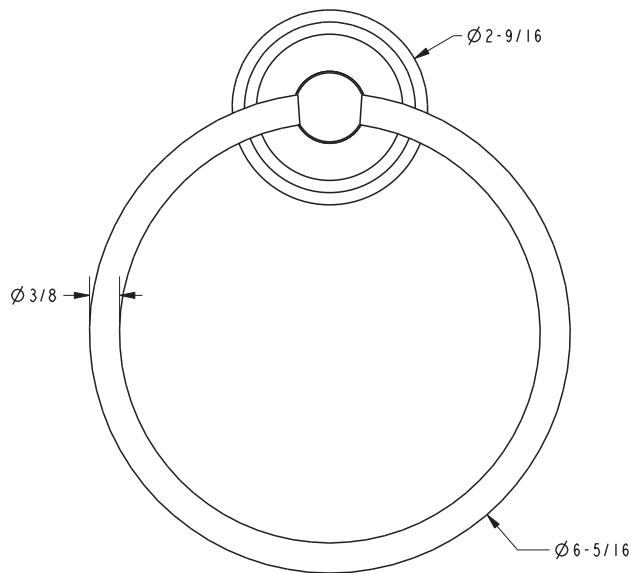
Model	Description	Colors Finishes				
890-1410	Towel Ring	<input type="checkbox"/> 10B	<input type="checkbox"/> 15	<input type="checkbox"/> 15S	<input type="checkbox"/> 26	<input type="checkbox"/> Other

Product Specification **Add "Color / Finish" suffix to Model number, below.**

The Towel Ring shall be made of solid brass construction and incorporate a single-post, horizontal pivot design with hanging, closed ring. Towel Ring shall complement Newport Brass Alveston product series. Towel Ring shall be Newport Brass Model 890-1410/____.

890-1410

PRODUCT DIMENSIONS *(Units are in inches)*



Alveston Towel Ring 890-1410