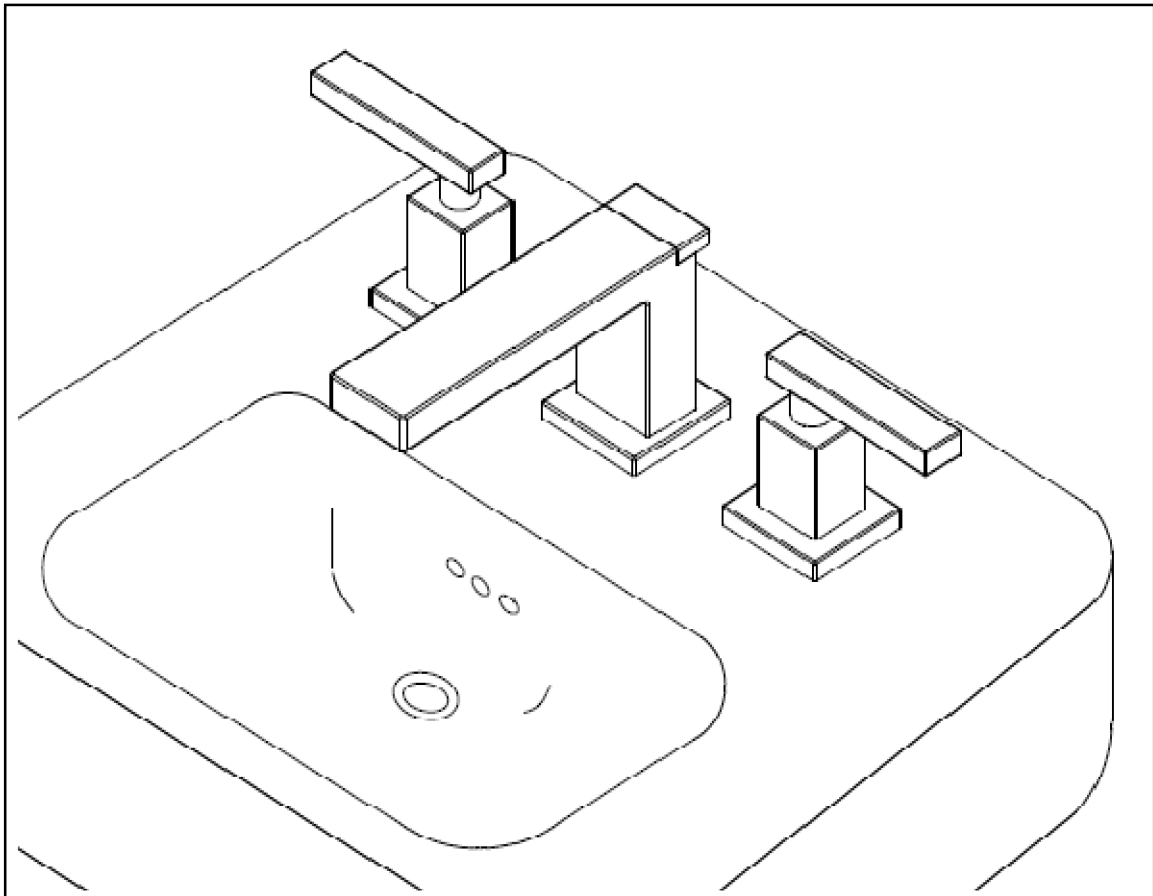


**WIDESPREAD LAVATORY SET  
INSTALLATION INSTRUCTIONS**

Model No: 2560

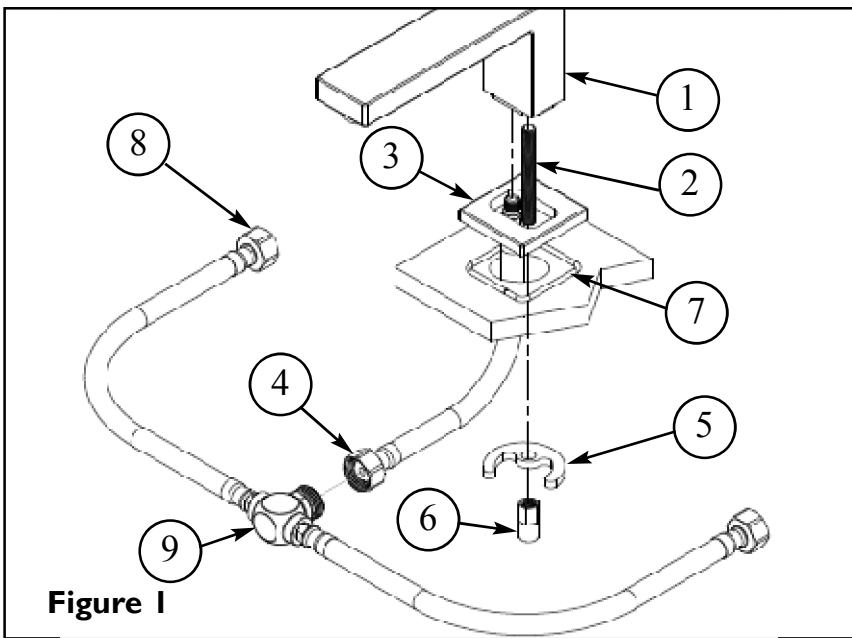


**Congratulations on the purchase  
of this Newport Brass product,  
an excellent choice, that will give you  
years of quality service and enhance  
the look and style of your home.**

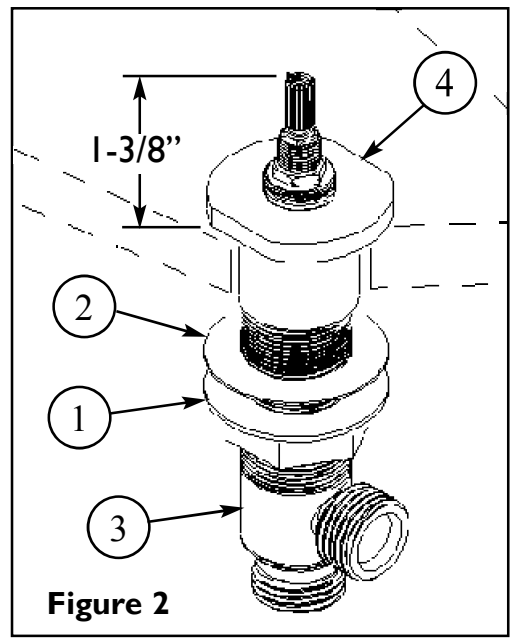
## Recommended Installation by a Professional Plumbing Contractor

Note: The use of petroleum base plumbers putty on our products will nullify the warranty. We recommend the use of clear silicone sealing materials. Minimum deck thickness is 5/8". Recommended deck hole  $\varnothing$ 1-3/8" for center hole and  $\varnothing$  1-3/8" for two side holes.

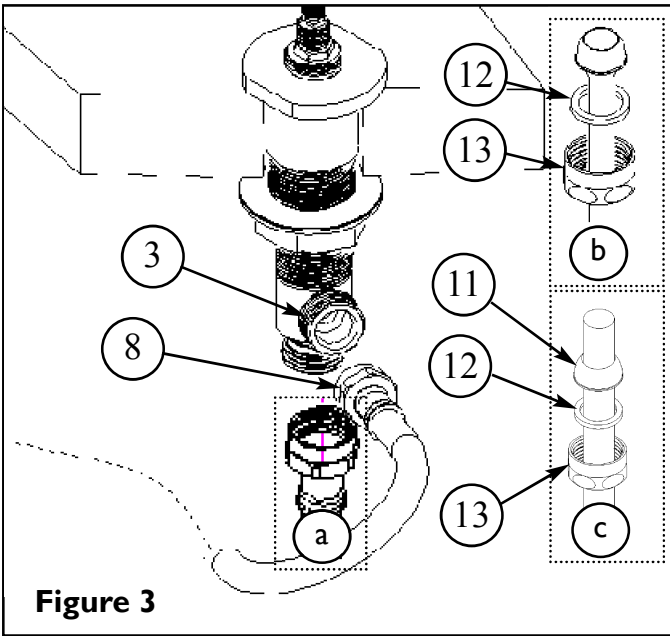
1. Insert SHANK (2) and HOSE (4), through base ESCUTCHEON (3), O-RING (7) and sink hole. From underside of sink mounting CRESENT (5) and mounting NUT (6) onto spout SHANK (2). Align SPOUT (1) and secure into place by tightening mounting NUT (6). **See Figure 1.**
2. Place the plastic flange NUT (1) and fiber WASHER (2) onto valve BODY (3). Insert valve BODY (3) through sink hole from underside of sink. Thread inverted flange NUT (4) onto upper position of valve BODY (3) until it bottoms out. Valve BODY (3) should extend 1-3/8" above mounting surface. Secure into place by tightening lower flange NUT (1) to 20 ft.lbs. **See Figure 2.**
3. Connect larger coupling NUT (4) to T-VALVE (9) and NUT (8) to outlet of each valve BODY (3). Hand tighten and secure each connection with a wrench 1/4 turn. Connect water supply to VALVE BODIES (1, 1A) with one of the three following types of risers:  
NOTE: SUPPLY RISERS ARE NOT INCLUDED - SOLD SEPARATELY
  - a. 1/2" IPS flexible riser, discard rubber NOSECONE (11), friction WASHER (12) and coupling NUT (13).
  - b. 3/8" or 1/2" O.D. bullnose riser, place friction WASHER (12) and coupling NUT (13) onto bullnose riser.
  - c. 1/2" O.D. copper riser, place coupling NUT (13), friction WASHER (12), and rubber NOSECONE (11) onto end of copper riser. **See Figure 3.** Use adjustable wrench to tighten connections. Do not over tighten and take care not to kink copper supply when bending. Use a tube bender and cutter to properly adjust copper supply. Turn VALVE STEM (3) to OFF position.
4. Place O-RING (4) and ESCUTCHEON (2) over VALVE STEM (3). Secure handle assembly into place by first engaging the VALVE STEM (3), then position and holding the handle LEVER (5) while rotating the BONNET (1) and ESCUTCHEON (2). Any adjustments for rotational alignment must be made to the valve body, not to the cartridge. **See Figure 4.**
5. Attach POP-UP KNOB (1) onto POP-UP ROD (2) and insert through hole on ESCUTCHEON (3). Place DRAIN FLANGE (5) with FLANGE WASHER (6) in place through sink drain hole.  
**Note:** putty or silicone may be used instead of FLANGE WASHER (6). From underside of sink install RUBBER CONE WASHER (7), FLA WASHER (8), and FLANGE NUT (9) onto DRAIN FLANGE (5). Tighten FLANGE NUT (9) firmly. Place CLEAR WASHER (10) into BODY (11) and tighten onto DRAIN FLANGE (5) aligning ball rod port to rear of sink. Secure BALL ROD (12) into BODY (11) with BALL NUT (13). Apply thread sealant onto threads of TAILPIECE (17) and tighten into BODY (11). Secure TAILPIECE (17) to TRAP DRAIN (18). If necessary trim TAILPIECE (17) for proper fit. Position STRAP (15) onto POP-UP ROD (2) and tighten SCREW (16). Remove one end of CLIP (14) from BALL ROD (12) by squeezing ends together while sliding. Insert BALL ROD (12) into lower holes of STRAP (15) and reassemble CLIP (14). Place STOPPER (4) into DRAIN FLANGE (5) and by twisting stopper attach to BALL ROD (12). Adjust stopper height by repositioning STRAP (15) on the POP-UP ROD (2) and tightening SCREW (16). **See Figure 5.**
6. With handles in OFF position, turn on water supplies and check all connections for leaks.
7. Operate both handles to flush water lines thoroughly.
8. Operate pop-up drain assembly and check for leaks.



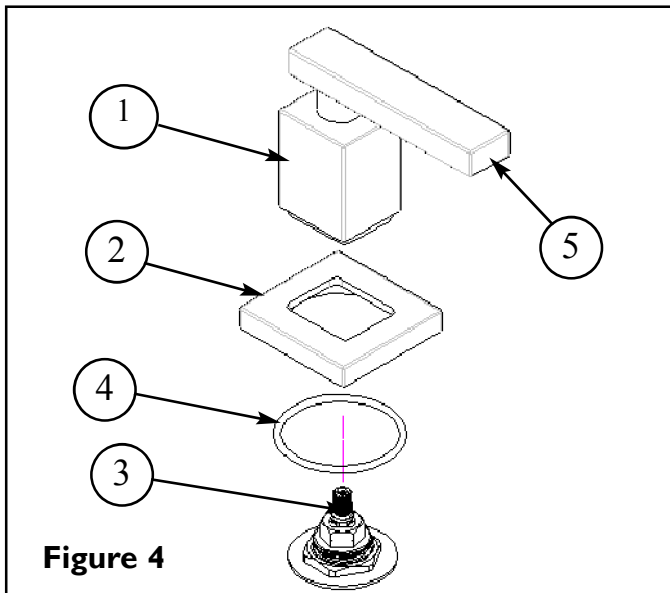
**Figure 1**



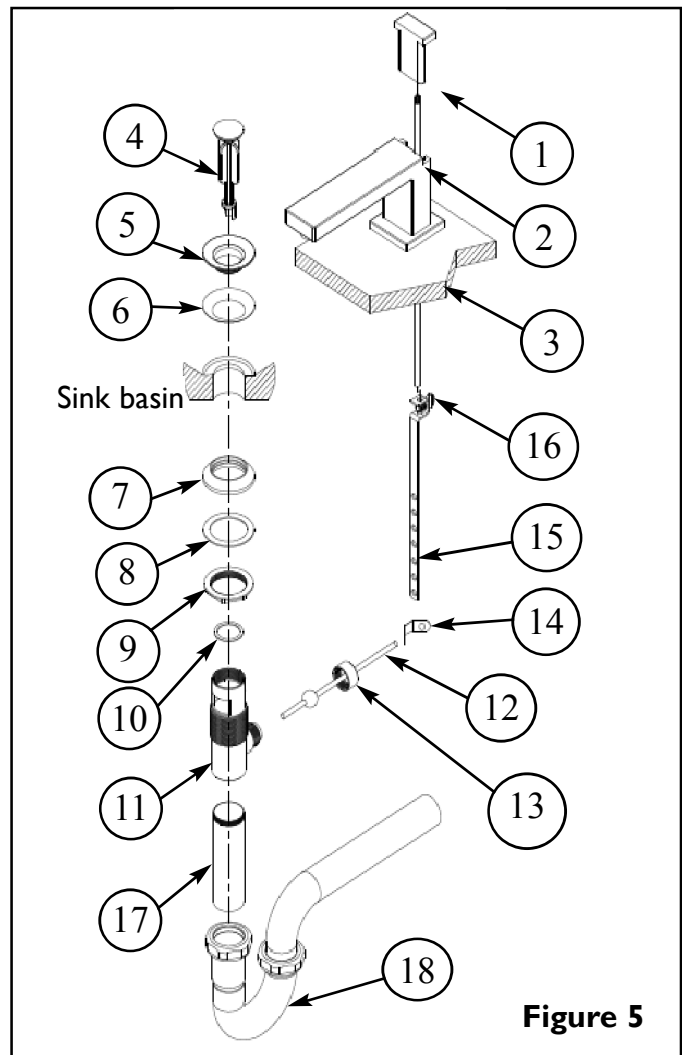
**Figure 2**



**Figure 3**



**Figure 4**



**Figure 5**