

Brass Gate Valve

Brass Body • Non-Rising Stem • Full Port

200 PSI/14 Bar Non-Shock Cold Working Pressure

MATERIAL LIST

| PART | SPECIFICATION |
|----------------|--|
| 1. Nut | Steel plated ASTM A 108 Alloy G10100 |
| 2. Name Plate | Aluminum ASTM B 209 Alloy 1100 |
| 3. Handwheel | Cast Iron ASTM A 48 Class No. 35 |
| 4. Stem | Brass ASTM B 16 Alloy C36000 |
| 5. Packing Nut | Brass ASTM B 16 Alloy C36000 or B 584 Alloy C85700 |
| *6. Gland | Brass ASTM B 16 Alloy C36000 |
| 7. Packing | Graphite/Rubber Non-Asbestos |
| 8. Bonnet | Brass ASTM B 584 Alloy C85700 |
| 9. Lock Nut | Brass ASTM B 16 Alloy C 36000 |
| 10. Wedge | Brass ASTM B 584 Alloy C85700 |
| 11. Body | Brass ASTM B 584 Alloy C85700 |

* Packing gland only for valves 1½" and larger.

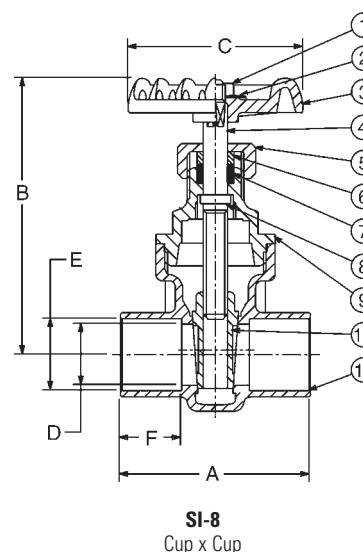
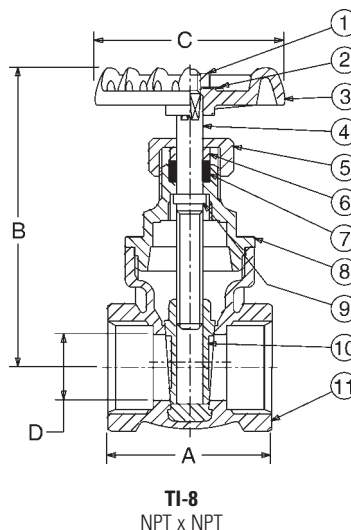
† Available with Drain in sizes ½" and ¾" for TI-8. Specify TI-8D on order.



TI-8
Threaded



SI-8
Solder



DIMENSIONS—WEIGHTS

| Size | Dimensions | | | | | | | | | | | | | | | | | | WEIGHT | | | | | | | | |
|---------|------------|---------|---------|---------|---------|---------|---------|---------|---------|---------|---------|---------|---------|---------|---------|---------|---------|---------|---------|------|------|------|------|-------|------|---|---|
| | TI-8 A | | SI-8 A | | TI-8 B | | SI-8 B | | TI-8 C | | SI-8 C | | TI-8 D | | SI-8 D | | SI-8 E | | SI-8 F | | TI-8 | | SI-8 | | | | |
| In. mm. | In. mm. | In. mm. | In. mm. | In. mm. | In. mm. | In. mm. | In. mm. | In. mm. | In. mm. | In. mm. | In. mm. | In. mm. | In. mm. | In. mm. | In. mm. | In. mm. | In. mm. | In. mm. | In. mm. | Lbs. | Kg. | Lbs. | Kg. | | | | |
| ¼ | 8 | 1.61 | 41 | — | — | 2.76 | 70 | — | — | 2.13 | 54 | — | — | 0.39 | 10 | — | — | — | — | — | — | — | — | 0.55 | 0.25 | — | — |
| ⅜ | 10 | 1.61 | 41 | 1.57 | 40 | 2.76 | 70 | 2.76 | 70 | 2.13 | 54 | 2.13 | 54 | 0.39 | 10 | 0.39 | 10 | .50 | 13 | 0.38 | 10 | 0.55 | 0.25 | 0.55 | 0.25 | — | — |
| ½ | 15 | 1.69 | 43 | 1.77 | 45 | 2.83 | 72 | 2.83 | 72 | 2.13 | 54 | 2.13 | 54 | 0.50 | 12 | 0.50 | 13 | .63 | 16 | 0.50 | 13 | 0.59 | 0.27 | 0.59 | 0.27 | — | — |
| ¾ | 20 | 1.85 | 47 | 2.32 | 59 | 3.31 | 84 | 3.31 | 84 | 2.13 | 54 | 2.13 | 54 | 0.75 | 19 | 0.75 | 19 | .88 | 22 | 0.75 | 19 | 0.77 | 0.35 | 0.77 | .035 | — | — |
| 1 | 25 | 2.13 | 54 | 2.76 | 70 | 3.86 | 98 | 3.86 | 98 | 2.40 | 61 | 2.40 | 61 | 0.94 | 24 | 0.94 | 24 | 1.13 | 29 | 0.91 | 23 | 1.06 | 0.48 | 1.06 | 0.48 | — | — |
| 1¼ | 32 | 2.40 | 61 | 2.87 | 73 | 4.57 | 116 | 4.57 | 116 | 3.03 | 77 | 3.03 | 77 | 1.25 | 32 | 1.25 | 32 | 1.38 | 35 | 0.97 | 25 | 1.54 | 0.70 | 1.54 | 0.70 | — | — |
| 1½ | 40 | 2.56 | 65 | 3.19 | 81 | 4.92 | 125 | 4.92 | 125 | 3.03 | 77 | 3.03 | 77 | 1.48 | 38 | 1.48 | 38 | 1.63 | 41 | 1.09 | 28 | 2.11 | 0.96 | 2.11 | 0.96 | — | — |
| 2 | 50 | 2.83 | 72 | 3.90 | 99 | 6.02 | 153 | 6.02 | 153 | 3.27 | 83 | 3.27 | 83 | 1.94 | 49 | 1.94 | 49 | 2.13 | 54 | 1.34 | 34 | 3.17 | 1.44 | 3.17 | 1.44 | — | — |
| *2½ | 65 | 3.50 | 89 | 4.61 | 117 | 7.32 | 186 | 7.32 | 186 | 4.13 | 105 | 4.13 | 105 | 2.48 | 63 | 2.48 | 63 | 2.63 | 67 | 1.47 | 37 | 3.79 | 2.63 | 5.79 | 2.63 | — | — |
| *3 | 80 | 3.98 | 101 | 5.20 | 132 | 8.70 | 221 | 8.70 | 221 | 4.41 | 112 | 4.41 | 112 | 2.95 | 75 | 2.95 | 75 | 3.13 | 80 | 1.66 | 42 | 8.10 | 3.68 | 8.10 | 3.68 | — | — |
| *4 | 100 | 4.57 | 116 | — | — | 10.16 | 258 | — | — | 6.67 | 172 | — | — | 3.62 | 92 | — | — | — | — | — | — | — | — | 20.94 | 9.52 | — | — |

*Conventional Port only

! WARNING: This product can expose you to chemicals including lead, which is known to the State of California to cause cancer and birth defects or other reproductive harm. For more information go to www.P65Warnings.ca.gov.

NOT FOR USE WITH POTABLE DRINKING WATER APPLICATIONS AFTER JANUARY 3, 2014.