

Class 125 Bronze Gate Valves

Screw-In Bonnet • Non-Rising Stem • Solid Wedge

125 PSI/8.6 bar saturated steam to 353°F/178°C
200 PSI/13.8 bar non-shock cold working pressure

CONFORMS TO MSS SP-80

MATERIAL LIST

PART	SPECIFICATION
1. Handwheel Nut	300 Series Stainless Steel
2. Identification Plate	Aluminum
3. Handwheel	a. Malleable Iron ASTM A 47 (T-113) b. Bronze (T-113-BHW) c. Bronze Cross (T-113-K)
4. Stem	Silicon Bronze ASTM B 371 Alloy C69400/C69430 or ASTM B99 Alloy C65100
5. Packing Nut	Bronze ASTM B 62 or ASTM B584 Alloy C84400 or Brass ASTM B 16
6. Packing Gland	Bronze ASTM B 62 or ASTM B584 Alloy C84400 or Brass ASTM B 16
7. Packing	Aramid Fibers with Graphite
8. Stuffing Box	Bronze ASTM B 62
9. Bonnet	Bronze ASTM B 62
10. Body	Bronze ASTM B 62
11. Wedge	Bronze ASTM B 62

DIMENSIONS—WEIGHTS—QUANTITIES

Size	Dimensions			T-113		S-113		Master Ctn.	Qty.
	A	B	C	Lbs.	Kg.	Lbs.	Kg.		
In. mm.	In. mm.	In. mm.	In. mm.	Lbs.	Kg.	Lbs.	Kg.		
¼ † 8	1.69 43	3.38 86	x x	0.74	0.33	x	x	50	
⅜ † 10	1.69 43	3.38 86	.69 18	0.71	0.32	0.65	0.29	50	
½ † 15	1.94 49	3.63 92	.75 19	0.82	0.37	0.67	0.31	50	
¾ 20	2.06 54	3.91 99	.88 22	1.10	0.50	0.99	0.45	50	
1 25	2.44 62	4.69 119	1.00 25	1.82	0.82	1.60	0.72	30	
1¼ 32	2.63 67	5.22 133	1.19 32	2.40	1.09	2.25	1.02	20	
1½ 40	2.88 72	6.25 159	1.25 33	3.51	1.59	3.17	1.44	10	
2 50	3.06 78	7.06 179	1.31 34	4.93	2.24	4.60	2.09	10	
2½ 65	4.13 105	8.41 224	1.81 46	9.96	4.52	8.78	3.98	5	
3 80	4.50 114	10 254	1.94 49	14.40	6.53	12.84	5.82	4	

† No packing gland, packing only in these sizes.

x Not available this size.

FREEZING WEATHER PRECAUTION: Subsequent to testing a piping system, valves should be left in an open position to allow complete drainage.

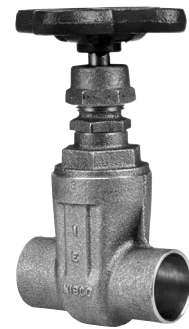
◆ For detailed Operating Pressure, refer to Pressure Temperature Chart on page 114.



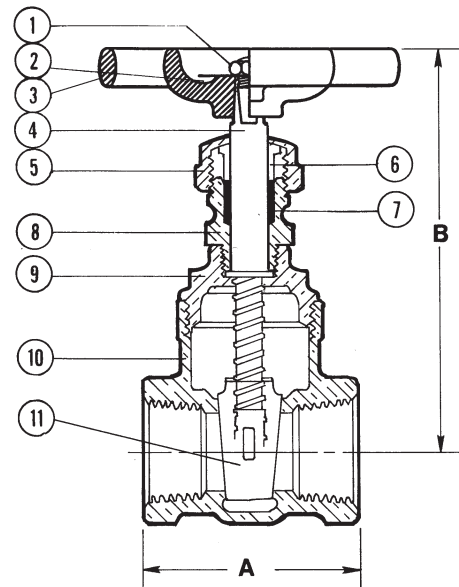
WARNING: This product can expose you to chemicals including lead, which is known to the State of California to cause cancer and birth defects or other reproductive harm. For more information go to www.P65Warnings.ca.gov.



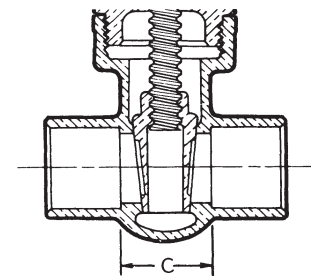
T-113
Threaded



S-113
Solder



T-113
NPT x NPT



S-113
C x C

Visit our website for the most current information.