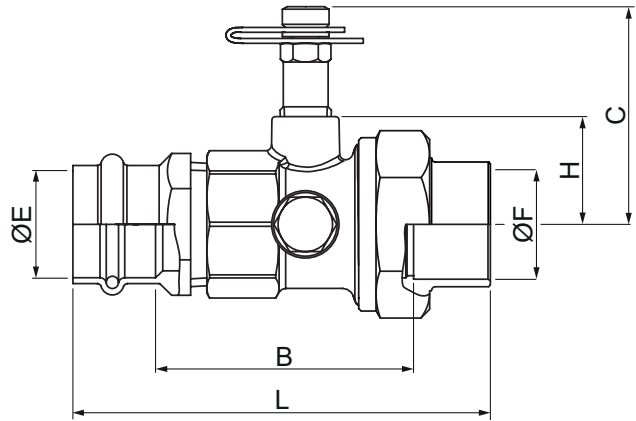


PCS-1800 DZR Brass Union with Test Point

Solder End ANSI B16.22 x Press End - 1/2" to 2"



MATERIAL LIST	
PART	SPECIFICATION
Body	Brass - UNS C35330 (DZR)
Union Nut	Brass - UNS C35330 (DZR)
Connector	Brass - UNS C35330 (DZR)
O-ring	EPDM
Test Point	Brass - UNS C35330 (DZR)
Plug (2)	Brass - UNS C35330 (DZR)
Press End	Copper - ASTM B75 C12200
Press End O-ring	EPDM



DIMENSIONS - In.							
Size	L	B	H	C	E	F	Weight Lbs.
1/2"	3.52	3.02	0.93	2.06	0.63	0.63	0.59
3/4"	4.13	3.38	1.02	2.17	0.88	0.88	0.78
1"	4.33	3.43	1.14	2.29	1.13	1.13	1.03
1 1/4"	4.91	3.94	1.32	2.47	1.38	1.38	1.54
1 1/2"	5.57	4.46	1.44	2.59	1.63	1.63	2.07
2"	5.91	4.57	1.67	2.82	2.13	2.13	2.81

200 PSI Non-Shock Cold Working Pressure at 250°F
Maximum Temperature 250°F at 200 PSI

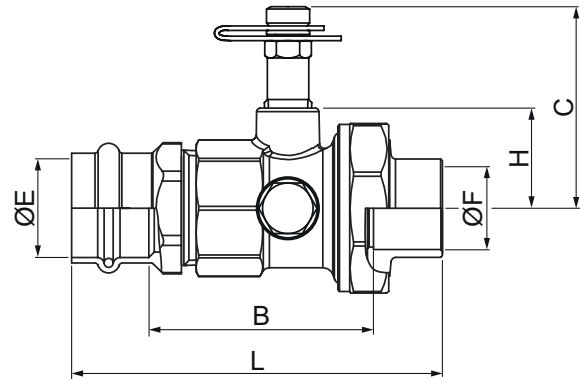
Project: _____
 Contractor: _____
 PO/Job No.: _____
 Engineer: _____
 Representative: _____
 Date: _____

PCS-1800R DZR Brass Union with Test Point

Solder End ANSI B16.22 x Press End - 1/2" to 2"



MATERIAL LIST	
PART	SPECIFICATION
Body	Brass - UNS C35330 (DZR)
Union Nut	Brass - UNS C35330 (DZR)
Connector	Brass - UNS C35330 (DZR)
O-ring	EPDM
Test Point	Brass - UNS C35330 (DZR)
Plug (2)	Brass - UNS C35330 (DZR)
Press End	Copper - ASTM B75 C12200
Press End O-ring	EPDM



DIMENSIONS - In.							
Size	L	B	C	H	E	F	Weight Lbs.
3/4" x 1/2"	3.52	3.02	2.17	1.02	0.88	0.63	0.70
1" x 1/2"	3.58	3.08	2.29	1.14	1.13	0.63	0.89
1" x 3/4"	4.19	3.44	2.29	1.14	1.13	0.88	1.04
1 1/4" x 3/4"	4.29	3.54	2.47	1.32	1.38	0.88	1.30
1 1/4" x 1"	4.43	3.52	2.47	1.32	1.38	1.13	1.37
1 1/2" x 1"	4.49	3.58	2.59	1.44	1.63	1.13	1.70
1 1/2" x 1 1/4"	4.97	4.00	2.59	1.44	1.63	1.38	1.87
2" x 1 1/4"	5.01	4.04	2.82	1.67	2.13	1.38	2.50
2" x 1 1/2"	5.60	4.50	2.82	1.67	2.13	1.63	2.70

200 PSI Non-Shock Cold Working Pressure at 250°F
Maximum Temperature 250°F at 200 PSI

Project: _____
 Contractor: _____
 PO/Job No.: _____
 Engineer: _____
 Representative: _____
 Date: _____