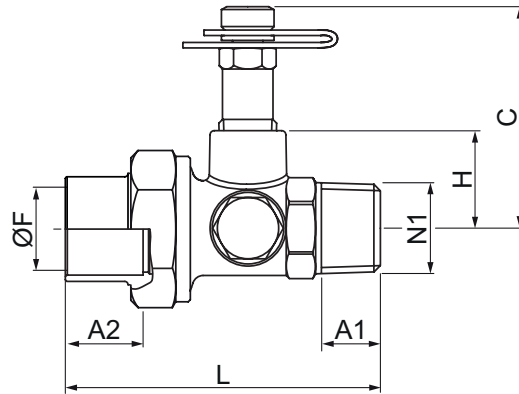


# MTS-1800 DZR Brass Union with Test Point

**NPT Male Threaded End x Solder End ASME B16.22 - 1/2" to 2"**



MATERIAL LIST	
PART	SPECIFICATION
Body	Brass - UNS C35330 (DZR)
Union Nut	Brass - UNS C35330 (DZR)
Connector	Brass - UNS C35330 (DZR)
O-ring	EPDM
Test Point	Brass - UNS C35330 (DZR)
Plug (2)	Brass - UNS C35330 (DZR)



DIMENSIONS - In.								
Size	L	A1	A2	H	C	F	N	Weight Lbs.
1/2"	2.70	0.55	0.50	0.91	2.11	0.63	1/2" - 14 NPT	0.50
3/4"	2.99	0.55	0.75	1.02	2.20	0.88	3/4" - 14 NPT	0.62
1"	3.31	0.67	0.91	1.14	2.32	1.13	1" - 11.5 NPT	0.85
1 1/4"	3.48	0.69	0.96	1.32	2.50	1.38	1 1/4" - 11.5 NPT	1.23
1 1/2"	3.72	0.69	1.10	1.44	2.61	1.63	1 1/2" - 11.5 NPT	1.66
2"	4.07	0.71	1.34	1.67	2.85	2.13	2" - 11.5 NPT	2.37

**600 PSI Non-Shock Cold Working Pressure at 100°F**  
**Maximum Temperature 250°F at 200 PSI**

Project: \_\_\_\_\_

Contractor: \_\_\_\_\_

PO/Job No.: \_\_\_\_\_

Engineer: \_\_\_\_\_

Representative: \_\_\_\_\_

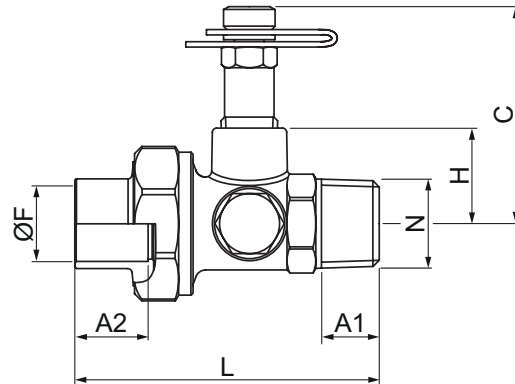
Date: \_\_\_\_\_

# MTS-1800R DZR Brass Union with Test Point

**NPT Male Threaded End x Solder End ASME B16.22 - 1/2" to 2"**



MATERIAL LIST	
PART	SPECIFICATION
Body	Brass - UNS C35330 (DZR)
Union Nut	Brass - UNS C35330 (DZR)
Connector	Brass - UNS C35330 (DZR)
O-ring	EPDM
Test Point	Brass - UNS C35330 (DZR)
Plug (2)	Brass - UNS C35330 (DZR)



DIMENSIONS - In.								
Size	L	A1	A2	H	C	F	N - Thread	Weight Lbs.
3/4" x 1/2"	2.74	0.55	0.50	1.02	2.20	0.63	3/4" - 14 NPT	0.63
1" x 1/2"	2.89	0.67	0.50	1.14	2.32	0.63	1" - 11.5 NPT	0.85
1" x 3/4"	3.15	0.67	0.75	1.14	2.32	0.88	1" - 11.5 NPT	0.85
1 1/4" x 3/4"	3.26	0.69	0.75	1.32	2.50	0.88	1 1/4" - 11.5 NPT	1.26
1 1/4" x 1"	3.43	0.69	0.91	1.32	2.50	1.13	1 1/4" - 11.5 NPT	1.26
1 1/2" x 1"	3.52	0.69	0.91	1.44	2.61	1.13	1 1/2" - 11.5 NPT	1.56
1 1/2" x 1 1/4"	3.58	0.69	0.96	1.44	2.61	1.38	1 1/2" - 11.5 NPT	1.55
2" x 1 1/4"	3.68	0.71	0.96	1.67	2.85	1.38	2" - 11.5 NPT	2.26
2" x 1 1/2"	3.82	0.71	1.10	1.67	2.85	1.63	2" - 11.5 NPT	2.25

**600 PSI Non-Shock Cold Working Pressure at 100°F**  
**Maximum Temperature 250°F at 200 PSI**

Project: \_\_\_\_\_

Contractor: \_\_\_\_\_

PO/Job No.: \_\_\_\_\_

Engineer: \_\_\_\_\_

Representative: \_\_\_\_\_

Date: \_\_\_\_\_