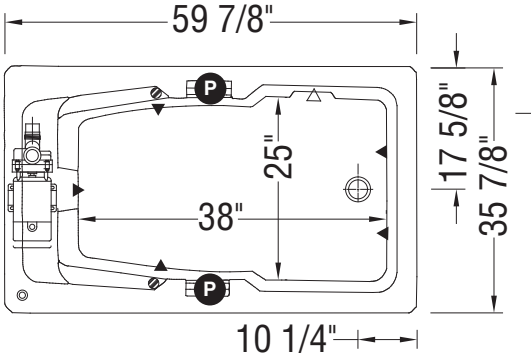
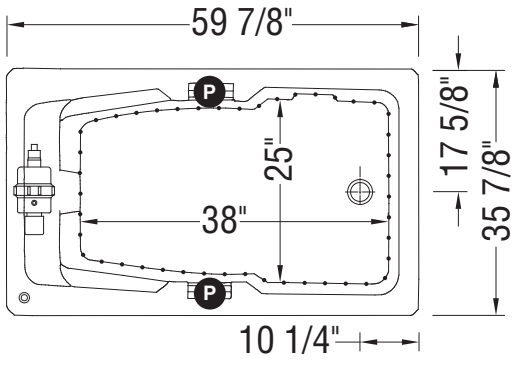


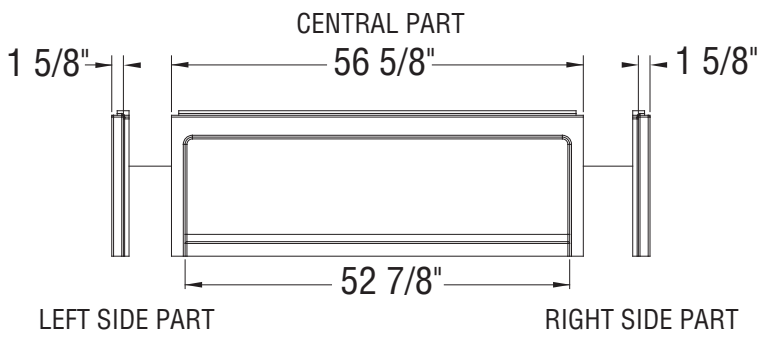
WHIRLPOOL SYSTEM



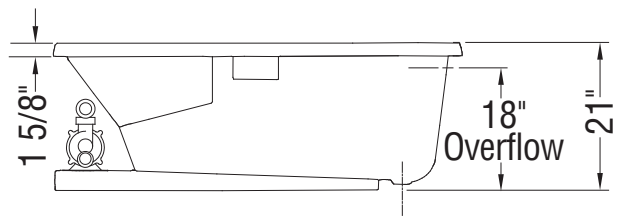
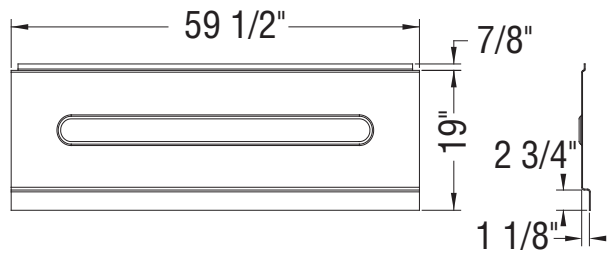
AIR SYSTEM



3-PIECE APRON



1-PIECE APRON



- P** : Indicates optional grab bar positioning
- (▲)** : Indicates Whirlpool jets positioning
- (●)** : Indicates airjets positioning
- (△)** : Indicates suction positioning

All dimensions are approximate. Structure measurements must be verified against the unit to ensure proper fit.