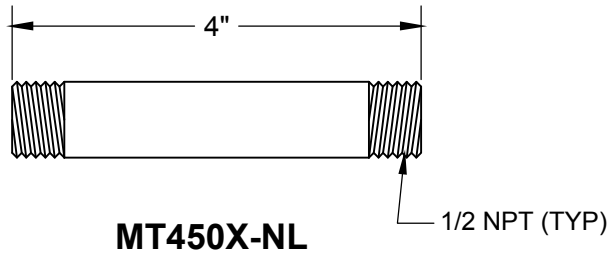


# MT5800L-NL

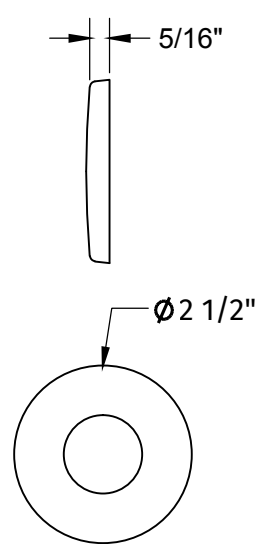
## TOILET SUPPLY KIT

### SPECIFICATION SHEET

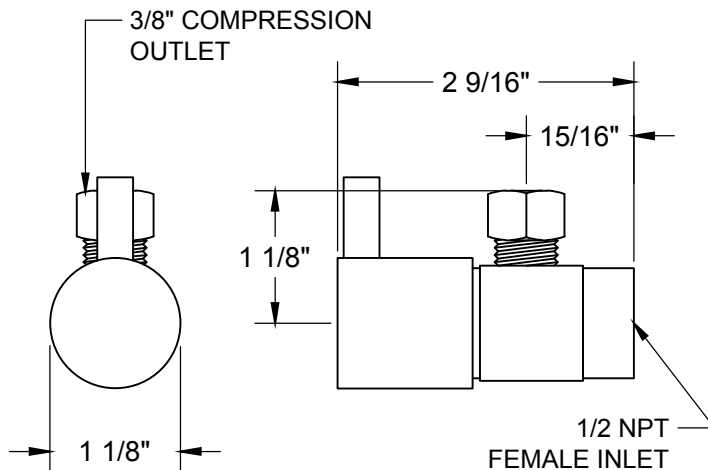
- ONE LEAD FREE cUPC CERTIFIED MT5001L-NL 1/4 TURN CERAMIC DISC CARTRIDGE VALVE
- 1/2" FEMALE IPS INLET
- 3/8" O.D. COMPRESSION OUTLET
- ONE MT436X NO LEAD SUPPLY TUBE
- ONE MT450X-NL 4" NO LEAD PIPE NIPPLE WITH 1/2 NPT THREAD
- ONE MT442X SURE GRIP FLANGE
- OFFERED IN MANY STANDARD DECORATIVE FINISHES
- SPECIAL FINISHES AVAILABLE UPON REQUEST



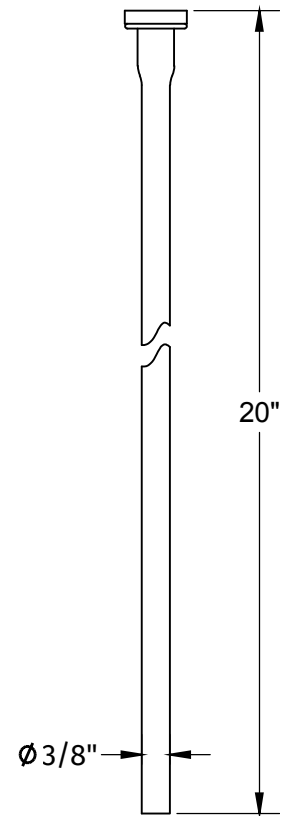
**MT450X-NL**



**MT442X**



**MT5001L-NL**



**MT436X**

#### WARRANTY

FOR WARRANTY INFO PLEASE VISIT [WWW.MOUNTAINPLUMBING.COM/PAGE/RESOURCES/WARRANTY](http://WWW.MOUNTAINPLUMBING.COM/PAGE/RESOURCES/WARRANTY)

#### FINISH CARE & MAINTENANCE

NEVER USE ANY HARSH ALKALI, ACID BASED DETERGENTS OR CLEANERS SUCH AS SOFT SCRUB®, SCRUBBING BUBBLES® OR COMET® TO CLEAN. DO NOT USE BRILLO® OR SCOTCH BRITE® PADS. THESE WILL ALL HARM THE FINISH. TO CLEAN, USE ONLY A DAMP SOFT CLOTH AND WIPE GENTLY. STANDARD WINDEX® CAN ALSO BE USED SPARINGLY. IT IS NOT NECESSARY TO WIPE HARD TO REMOVE SPOTS. TO MAINTAIN THE FINISH, WIPE WITH A SOFT DRY CLOTH AFTER USE. AN OCCASIONAL COAT OF PURE CARNAUBA WAX WITHOUT CLEANERS WILL HELP PROTECT THE FINISH.

SPECIFICATIONS SUBJECT TO CHANGE WITHOUT NOTICE