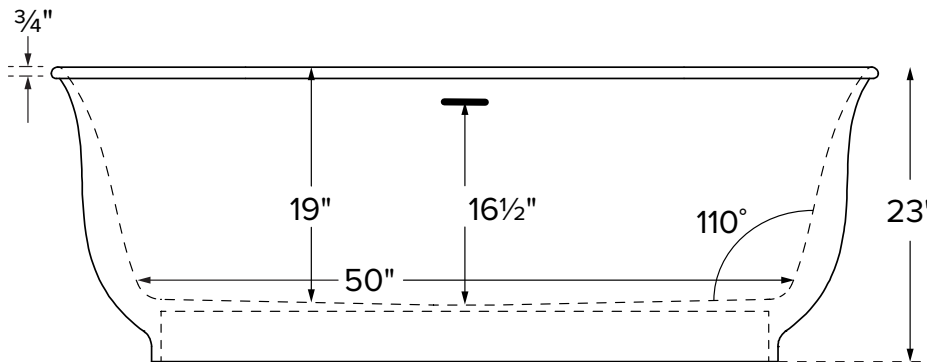
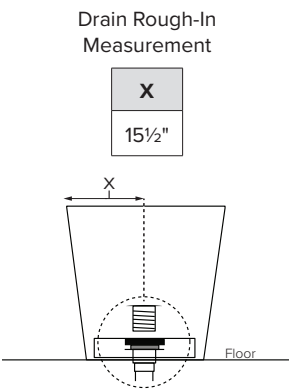
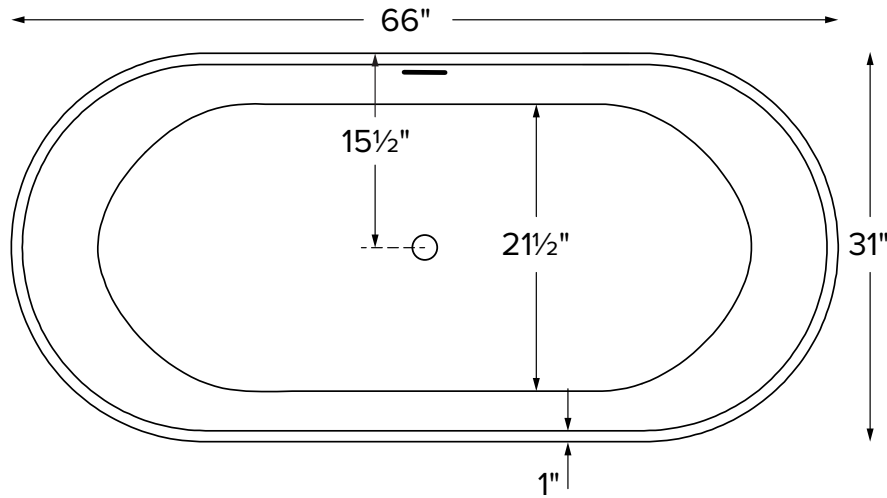


Hamilton



MODEL 403
66" x 31" x 23"
FREESTANDING 80 gal to overflow
<b>Mineral Composite</b>
263 lbs / 119 kg soaker
Filling this tub to the maximum may require an above average size or dedicated water heater.



ELECTRICAL COMPONENTS & SPECIFICATIONS		
Required Electrical Service - 110 Volt		
Hydrotherapy Package	Components Included	GFCI
Air Massage	heated blower	1-15 amp
Electrical requirements may change with the addition of optional therapy components. See specific option details or installation information. CSA Certified C/US; B45.5/IAPMO ANSI Z124.1 and ANSI 112.19.7		

**ORDERING AND INSTALLATION**

- Before ordering or installing, please consider future access to equipment.
- Integrated overflow with toe tap drain included.
- Air baths require job site preparations for remote mounting the blower and required check valve. Check valve must be installed higher than the rim of the tub.
- Waterproof remote control included. Keypad is shipped loose and may be mounted nearby.
- Faucet valves cannot be installed on this tub model.

See the Installation & Operation Manual for more details.  
 MTI's Customer Service: Monday-Friday 8am-6pm EST  
 800-783-8827 or service@mtibaths.com

• Before discarding tub packaging, check for accessories that may be packaged inside.  
 • All product measurements are ±1/2".  
 • Specifications and configurations are subject to change without notice.  
 • Measurements herein supersede all others published prior to publication date below.



For more information on options and accessories go to Cosmopolitan Mineral Composite Tubs Options on mtibaths.com

- Blower & required check valve for airbath must be remote mounted
- Check valve must be installed higher than the rim of the tub.

**Hamilton**  
MODEL # 403  
66" x 31" x 23"

Hydrotherapy	Package Contents	Part #	MSRP
<b>Soaker</b>	Soaking bath - no jets. Includes an integrated slotted overflow with toe-tap drain kit.	<b>S403</b>	<b>\$6,800</b>
<b>Air Bath</b>	20 air jets, heated air blower, keypad, waterproof remote control, integrated slotted overflow with toe-tap drain kit.	<b>AST403</b>	<b>\$11,005</b>

Recommended Drain Kits
OS&B Euroclicker-FA-XXX (included with tub) OS&B 500 Series Westbrass D98LTBAA-XX Mountain Plumbing BDWOF-ST

Accessories
<b>Drain Kit Accessories</b> Brass Tailpiece (WIOBS) <b>\$85</b> Quick Drain Kit (WOQ) <b>\$460</b>
<b>Pillows from \$180</b>
<b>Teak Bath Mat (TKMAT3018) \$815</b> <i>Custom sizes also available. Contact MTI for details and pricing.</i>



Inside view of tub