

Hotel / Motel Technical Specification

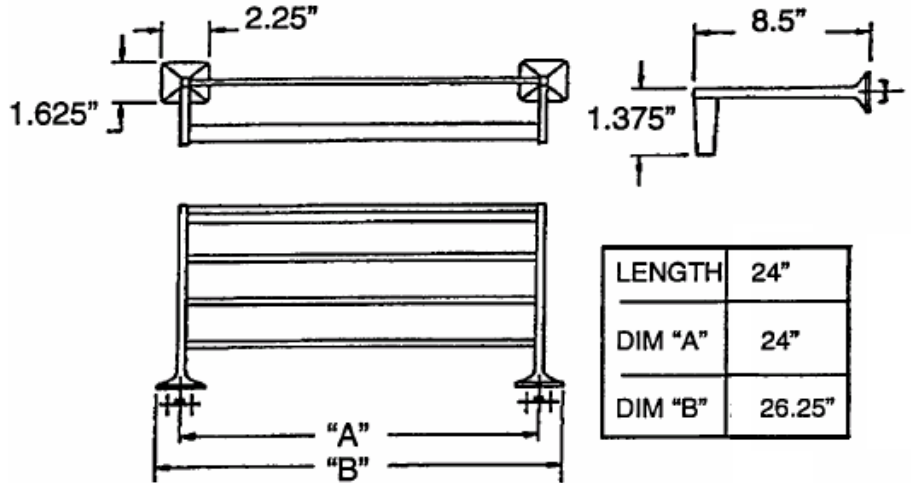
Towel Shelf with Bar

5519

Stock Numbers:

- R5519 – 24" Towel Shelf with Extra Bar & Support Bracket
Polished Chrome Finish
Retail Packaging

Dimensions:



Materials:

ALL CHROME BATH HARDWARE IS TRIPLE PLATED WITH COPPER, NICKEL AND CHROMIUM FOR LONG LASTING BEAUTY, AND MEET ASTM-B86 STANDARDS.

Towel Shelf Posts and extension towel bar posts are die cast from the highest quality zinc alloy (zamac). Castings have a triple plated polished chrome finish. Crossbars are 5/16" square .015 (28 gauge) type 430 polished stainless steel. Extension towel bar is 3/4" round .015 (28 gauge) type 430 polished stainless steel.

Installation Instructions:

Assemble the towel shelf with screws (provided). Position assembly on wall and install with steel screws provided.
Note: Wood blocking is preferable behind all wall surfaces. If wood blocking is not available, the following optional fasteners are suggested: Tile/Masonry – Plastic or lead anchors; Plaster/Drywall – Toggle bolts.

Stock Number: _____ **Towel Shelf w/ Bar**
By Creative Specialties



25300 AL MOEN DRIVE • NORTH OLMSTED, OH 44070
CORPORATE HEADQUARTERS: (800) 321-8809 • FAX: (800) 848-6636
INTERNATIONAL: (440) 962-2000 • FAX: (440) 962-2726
CUSTOMER SERVICE (USA): 800-882-0116 • FAX: (888) 379-2720
WWW.MOEN.COM

©Copyright Creative Specialties International

Literature #BA1659