



Buy it for looks. Buy it for life.®

# Specifications

## DESCRIPTION

- Various finishes identified by suffix
- Handheld shower
- 69" double interlock spiral hose (metal)
- Double check valves in handshower
- Adjustable wall bracket

## OPERATION

- 4 function massage, vigorous, full & combination
- Wall bracket rotates to adjust angle of handshower

## FLOW

- EP suffix models are limited to 2.0 gpm (7.6 L/min) max for products manufactured prior to June 30, 2018. EP suffix models manufactured after June 30, 2018 are limited to 1.75 gpm (6.7 L/min) max.

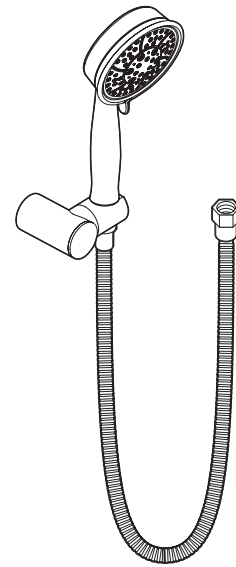
## STANDARDS

- Designed and manufactured to comply with the applicable requirements of WaterSense®, ASME A112.18.1/CSA B-125.1, ASSE 1014 and all applicable specifications referenced therein
- EP suffix models are third party certified to WaterSense®

## WARRANTY

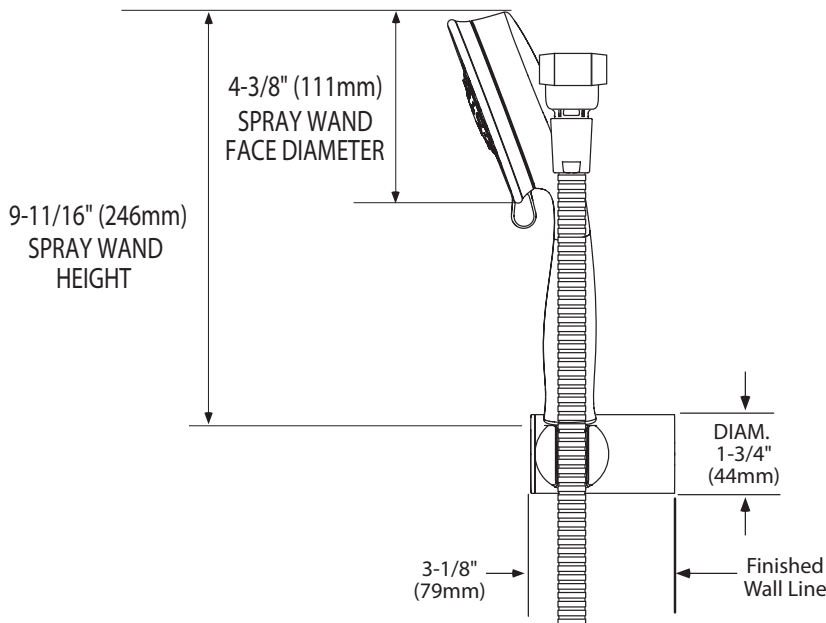
- Lifetime limited warranty against leaks, drips and finish defects to the original homeowner
- 10 year limited warranty when used in a multifamily installation
- 5 year limited warranty when used in a commercial installation

Visit [www.moen.com/support](http://www.moen.com/support) for complete details and limitations



**Handshower with Bracket & Hose**

**Models: 3636EP series**



## **CRITICAL DIMENSIONS**

(DO NOT SCALE)