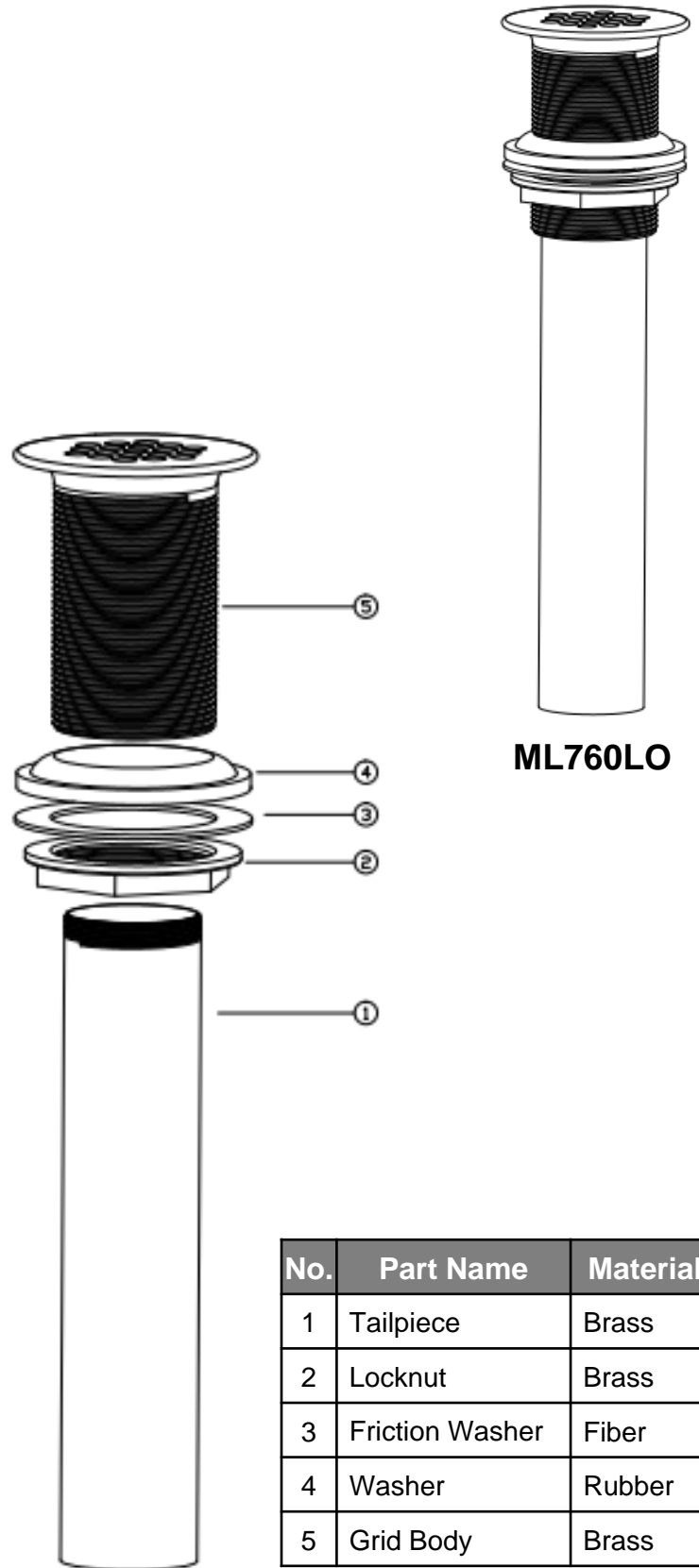
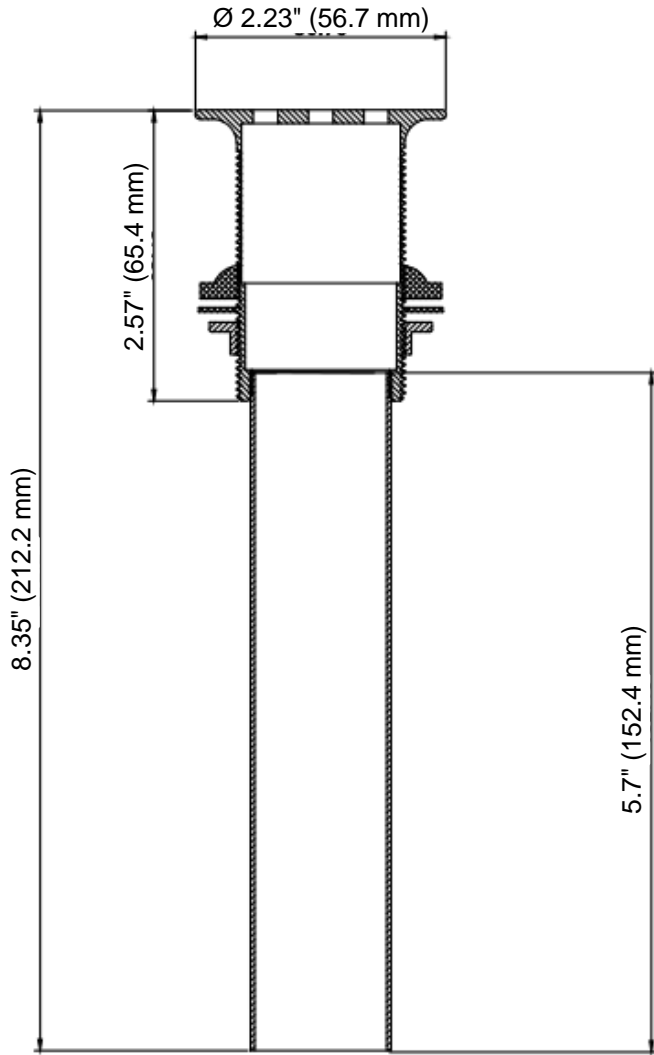


SPECIFICATIONS

- 19 Hole Commercial Grid Drain
- 1-1/4" Forged Brass Construction
- 6" 17 GA Tailpiece
- Chrome Plated



ML760LO

CROSS REFERENCE
D70-105
Z8743NOF-6-PC

CERTIFICATIONS

- cUPC



No.	Part Name	Material
1	Tailpiece	Brass
2	Locknut	Brass
3	Friction Washer	Fiber
4	Washer	Rubber
5	Grid Body	Brass