



# 1-1/4" Tubular P-Trap less Cleanout

## Product Specifications

MAINLINE®

### FEATURES

- 7-7/8" 17 GA Brass Wall Tube
- Chrome Plated
- Brass Nut Kit
- Deep Bell Escutcheon

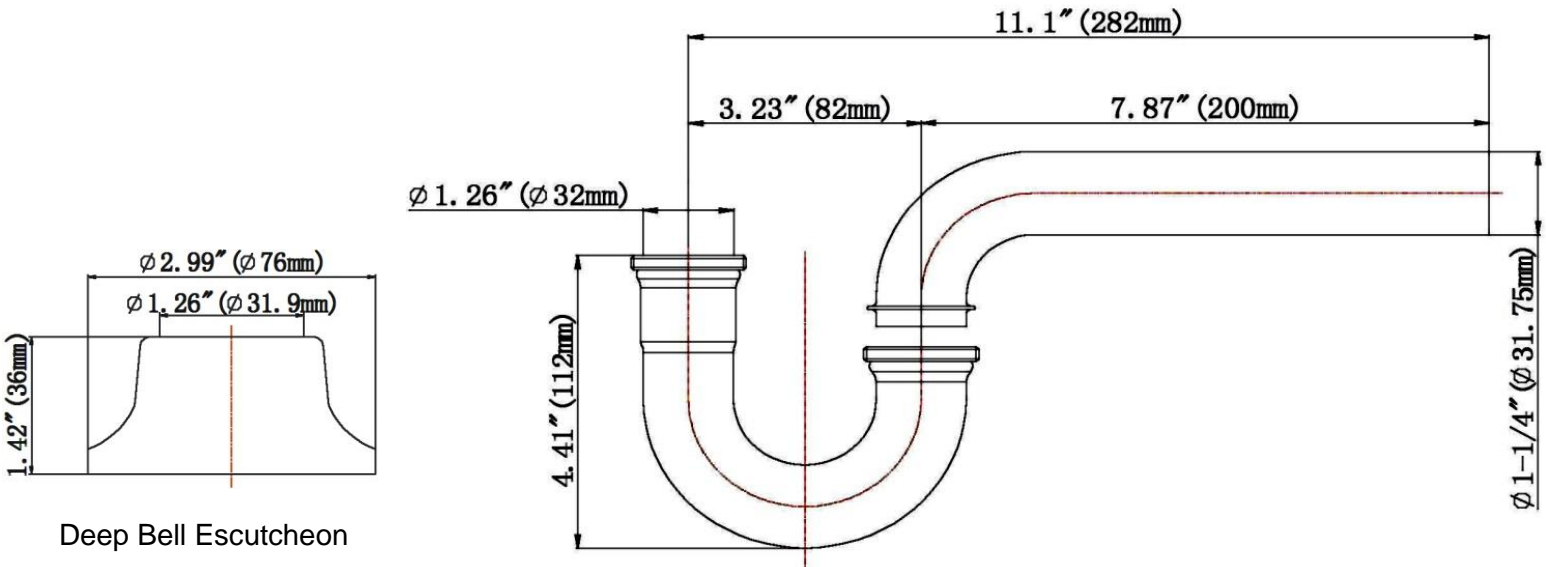


ML702BDE

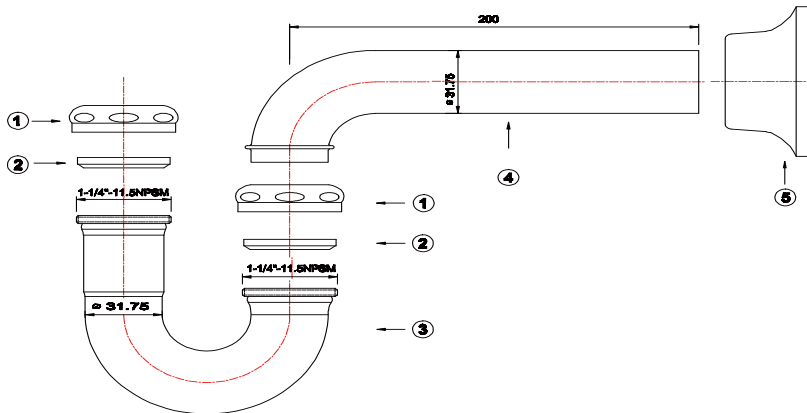
### APPLICABLE STANDARDS/CODES

Specified model meets or exceeds the following:

- ASME A112.18.1/CSA B125.1
- IAPMO/cUPC



Deep Bell Escutcheon



Part #	Part Description	Material
1	Slip Nut	Brass
2	Washer	Rubber
3	J-Bend	Brass
4	Wall Tube	Brass
5	Escutcheon	Plated Steel

### Warranty

See warranty information for more details.

All dimensions listed are nominal. MAINLINE® reserves the right to make product and material changes at any time without notice.



Contact your sales representative for more information or visit our website at [mainlinecollection.com](http://mainlinecollection.com)