

Two-Piece Elongated Toilet Kit

Product Specifications

Features

- High efficiency toilet
- 4.8Lpf / 1.28Gpf
- Elongated bowl with concealed skirted trap way
- Vitreous china
- 17" Plus Height for greater comfort
- Soft white tank lever
- 12" (305mm) Rough-in
- 2" Fully glazed trap way
- 3" Flapper
- Siphon jet flush action
- Water surface: 8 $\frac{7}{8}$ " x 6 $\frac{1}{4}$ " (225mm x 159mm)
- Decorative soft white side caps included
- Smooth close toilet seat included



LXS10001

LXS 10002

White Two-Piece Elongated Toilet Kit

Overall Size

- 380mm W x 720mm D x 783mm H 15" W x 28 $\frac{1}{4}$ " D x 30 $\frac{7}{8}$ " H

Compliance Certifications

- Meets or exceeds the following:
- IAPMO cUPC
- ASME A112.19.2 / CSA B45.1
- ADA Guidelines & ANSI A117.1
- LEED Compliant
- CSA B651 barrier-free standard
- US EPA WaterSense
- MaP Tested 1000g

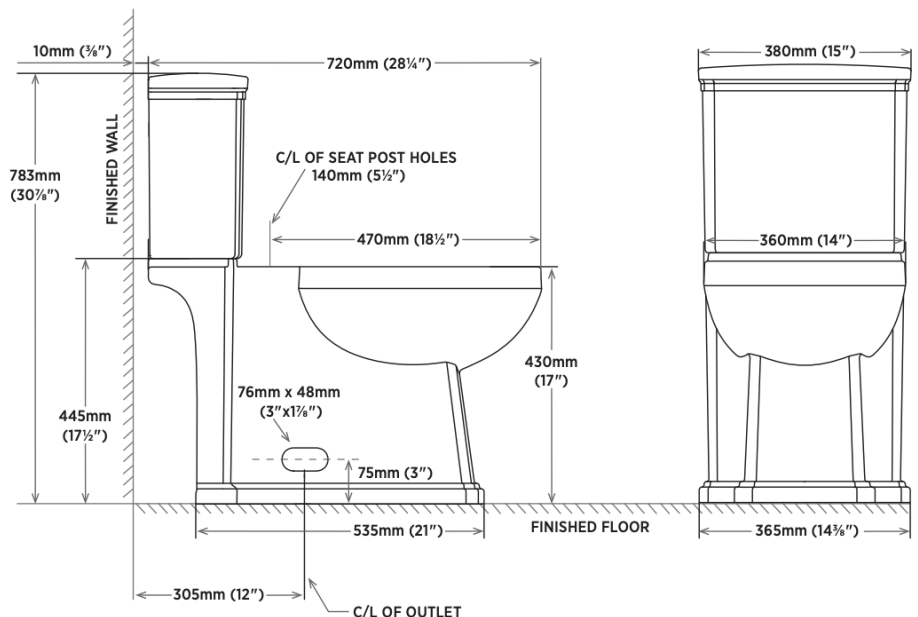
Shipping

Bowl:

- Cube 5.71
- GW 89 lbs

Tank:

- Cube 1.16
- GW 31 lbs



All dimensions listed are nominal. Luxart® reserves the right to make product and material changes at any time without notice.

Contact your sales representative for more information or visit our website at luxartcollection.com