

# Vessel Drain with Overflow

Drain de cuve avec trop-plein  
Vasija con retorno

Product Specifications

LUXART®



**LUXPUWO-CP**  
**LUXPUWO-BN**  
**LUXPUWO-ORB**

## FEATURES

- 100% Factory Pressure Tested

## CARACTÉRISTIQUES

- Pression vérifiée en usine- 100%

## CARACTERÍSTICAS

- Probado en fábrica bajo presión al 100%

## APPLICABLE STANDARDS/CODES

Specified model meets or exceeds the following:

## NORMES ET CODES APPLICABLES

Le modèle spécifié est conforme aux normes suivantes ou les dépasse:

## NORMAS Y ESTÁNDARES APLICABLES

El modelo especificado reúne o sobrepasa las siguientes condiciones:

- ASME A112.18.1/CSA B125.1
- IAPMO/cUPC

## AVAILABLE FINISHES / FINIS OFFERTS / DISTINTOS ACABADOS:

- Polished Chrome / Chrome poli / Cromo lustrado (CP)
- PVD Brushed Nickel / PVD Nickel brossé / PVD Níquel cepillado (BN)
- Oil Rubbed Bronze / Bronze poncé à l'huile / Bronce lustrado al aceite (ORB)



Contact your sales representative for more information or visit our website at [luxartcollection.com](http://luxartcollection.com)

# Vessel Drain with Overflow

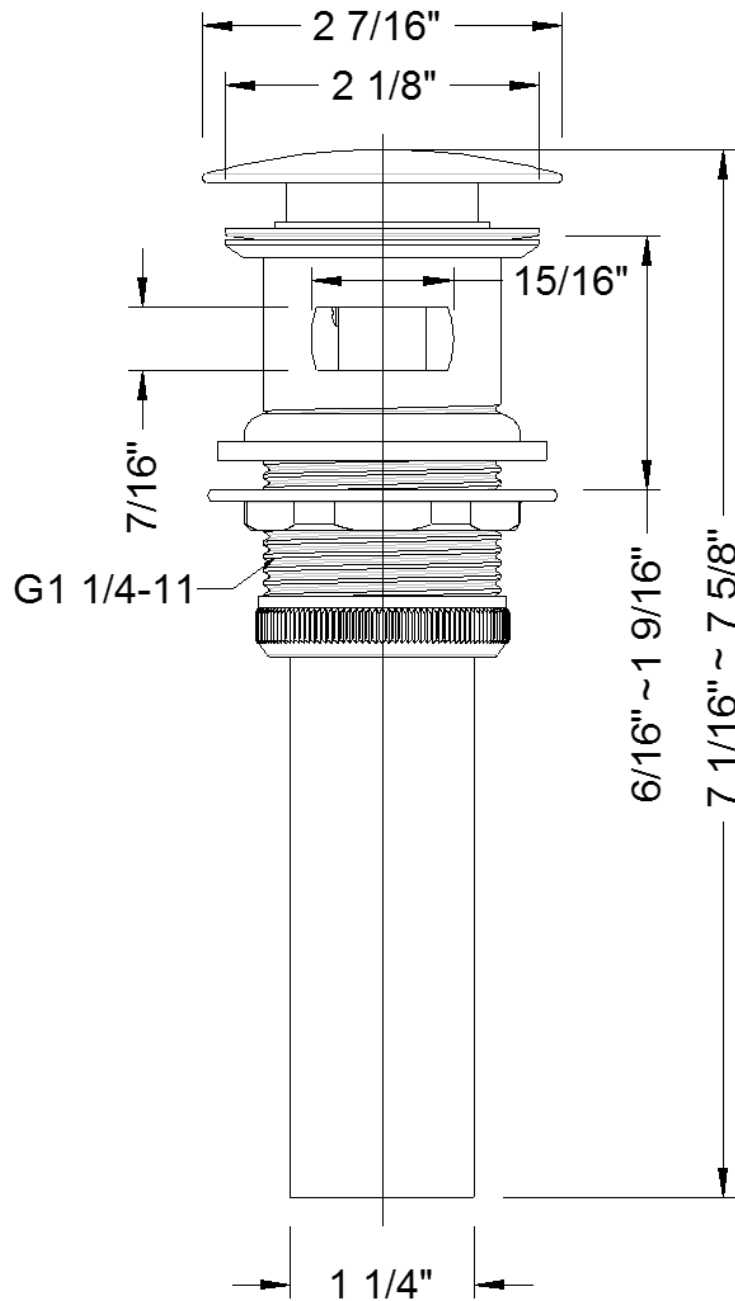
Drain de cuve avec trop-plein

Vasija con retorno

Product Specifications

LUXART.

LUXPUWO-CP  
LUXPUWO-BN  
LUXPUWO-ORB



Contact your sales representative for more information or visit our website at [luxartcollection.com](http://luxartcollection.com)

Revised 9/2/2018